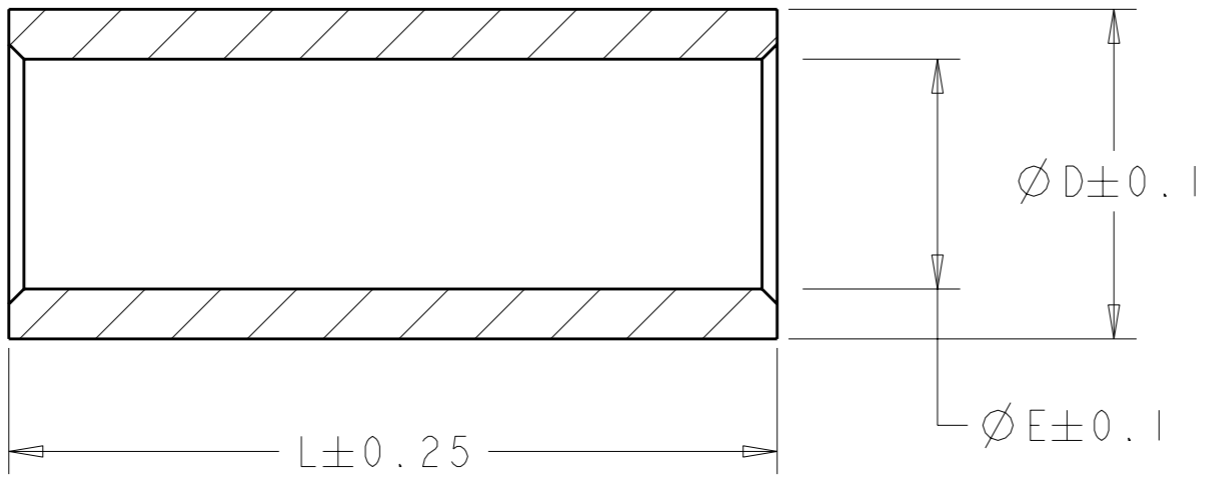
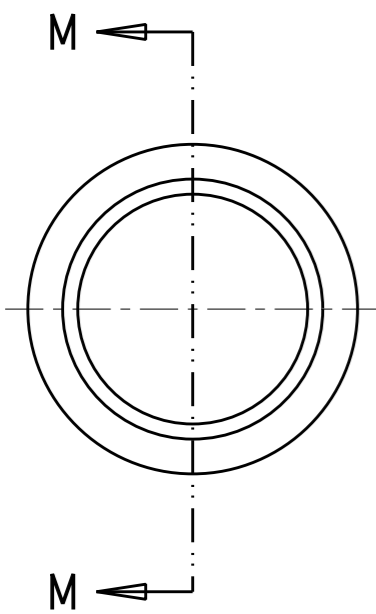


THIS DRAWING IS UNPUBLISHED. RELEASED FOR PUBLICATION 20
 © COPYRIGHT 20 BY TYCO ELECTRONICS CORPORATION. ALL RIGHTS RESERVED.

LOC	DIST	REVISIONS			
P	LTR	DESCRIPTION	DATE	DWN	APVD
CM	0				
	2	REDRAWN - UPDATED	10JUN2003	BY	RW
	0	REVISED PER 0G3B-1056-04	13MAR06	KW	JE



SECTION M-M

DIMENSIONS	DESCRIPTION	PART NUMBER
28.0	#2/0 TO #1/0 350 AMP	1604121-6
25.4	#1/0 TO #4 AWG 175 AMP	1604121-5
25.4	#1/0 TO #2 AWG 175 AMP	1604121-4
25.4	#1/0 TO #1 AWG 175 AMP	1604121-3
25.4	#1/0 TO #6 AWG 175 AMP	1604121-2
25.4	#1/0 TO #10 AWG 175 AMP	1604121-1
L ± 0.25 (LENGTH)	REDUCTION RANGE	PART NUMBER
ØD ± 0.1 (O.D.)	CONNECTOR SERIES	

- 1. MATERIAL: COPPER
- 2. PLATING: SILVER



<small>THIS DRAWING IS A CONTROLLED DOCUMENT FOR TYCO ELECTRONICS CORPORATION. IT IS SUBJECT TO CHANGE AND THE CONTROLLING ENGINEERING ORGANIZATION SHOULD BE CONTACTED FOR THE LATEST REVISION.</small>		DWN 10JUN2003 Brent D. Yohn	Tyco Electronics Harrisburg, PA 17105-3608
DIMENSIONS: mm		CHK 10JUN2003 R.P. WALTER	
TOLERANCES UNLESS OTHERWISE SPECIFIED: 0 PLC ±- 1 PLC ±0.5 2 PLC ±0.13 3 PLC ±0.013 4 PLC ±0.0001 ANGLES ±-		APVD 10JUN2003 R.P. WALTER	NAME BUSHING, REDUCING, CRIMP, AMP POWER SERIES 175 AND 350
MATERIAL - FINISH -		PRODUCT SPEC - APPLICATION SPEC - WEIGHT -	SIZE A3 CAGE CODE 00779 DRAWING NO C-1604121 RESTRICTED TO -
CUSTOMER DRAWING			SCALE 4:1 SHEET 1 OF 1 REV 0

X-ON Electronics

Largest Supplier of Electrical and Electronic Components

Click to view similar products for [Heavy Duty Power Connectors](#) category:

Click to view products by [TE Connectivity](#) manufacturer:

Other Similar products are found below :

[1424439](#) [1424438](#) [09330062652](#) [605601-1](#) [6340G1](#) [6341G1](#) [6360G1](#) [6373G1](#) [6374g2](#) [6396G1](#) [647757-1](#) [6643411-1](#) [6646058-2](#) [6646137-1](#)
[6646138-1](#) [6646348-1](#) [6646479-1](#) [6646608-1](#) [6646786-1](#) [6646940-1](#) [6651525-1](#) [6651529-1](#) [6651778-1](#) [6651788-1](#) [696465-1](#) [696475-1](#)
[73000005059](#) [73000005349](#) [73000005642](#) [73080965046](#) [765-15-0080A](#) [765-16-0080B](#) [789.700-44](#) [789.700-54](#) [80-1010](#) [80-9](#) [827381-1](#)
[829992-1](#) [902-77-02113](#) [PL00U-301-10D10](#) [PM103MOOLOO](#) [PM212MOOLOO](#) [PM309FOOLOO](#) [PM324FOOLCH](#) [PMHPAF11S03](#)
[PMHPAF14S01](#) [PMHPAM14P05](#) [PMHPAS06](#) [PMHPBF14S01](#) [PP45PC12S](#)