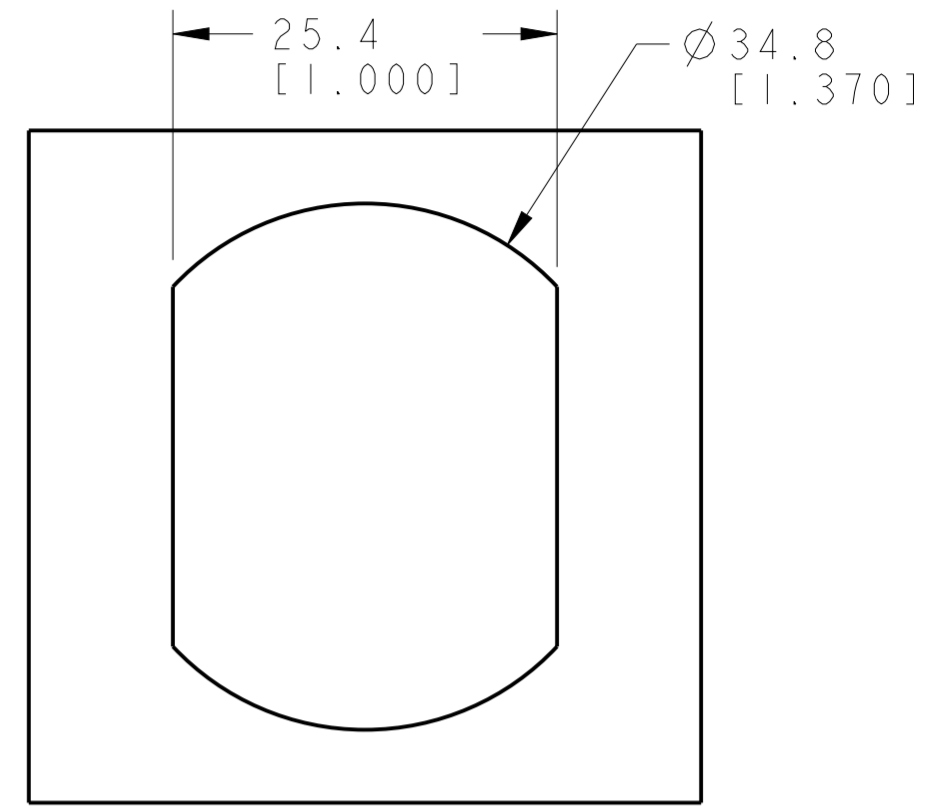
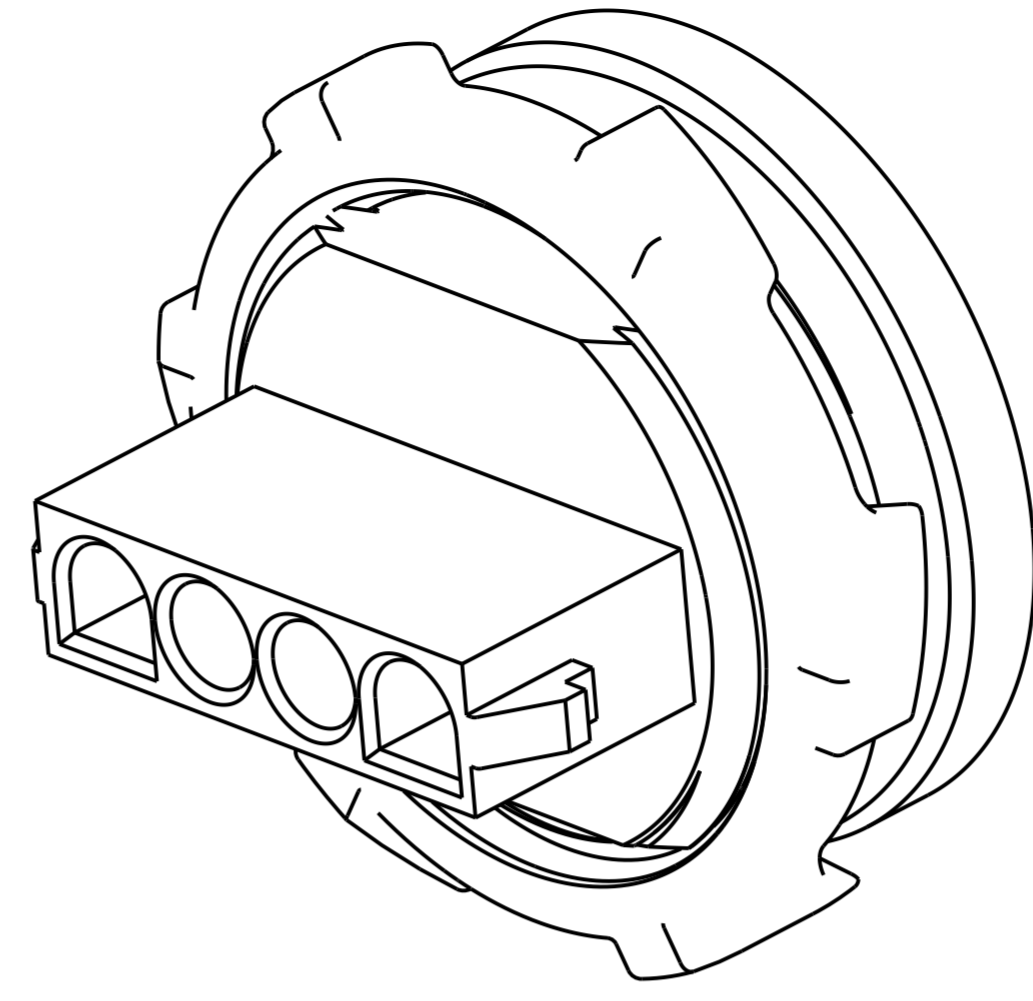
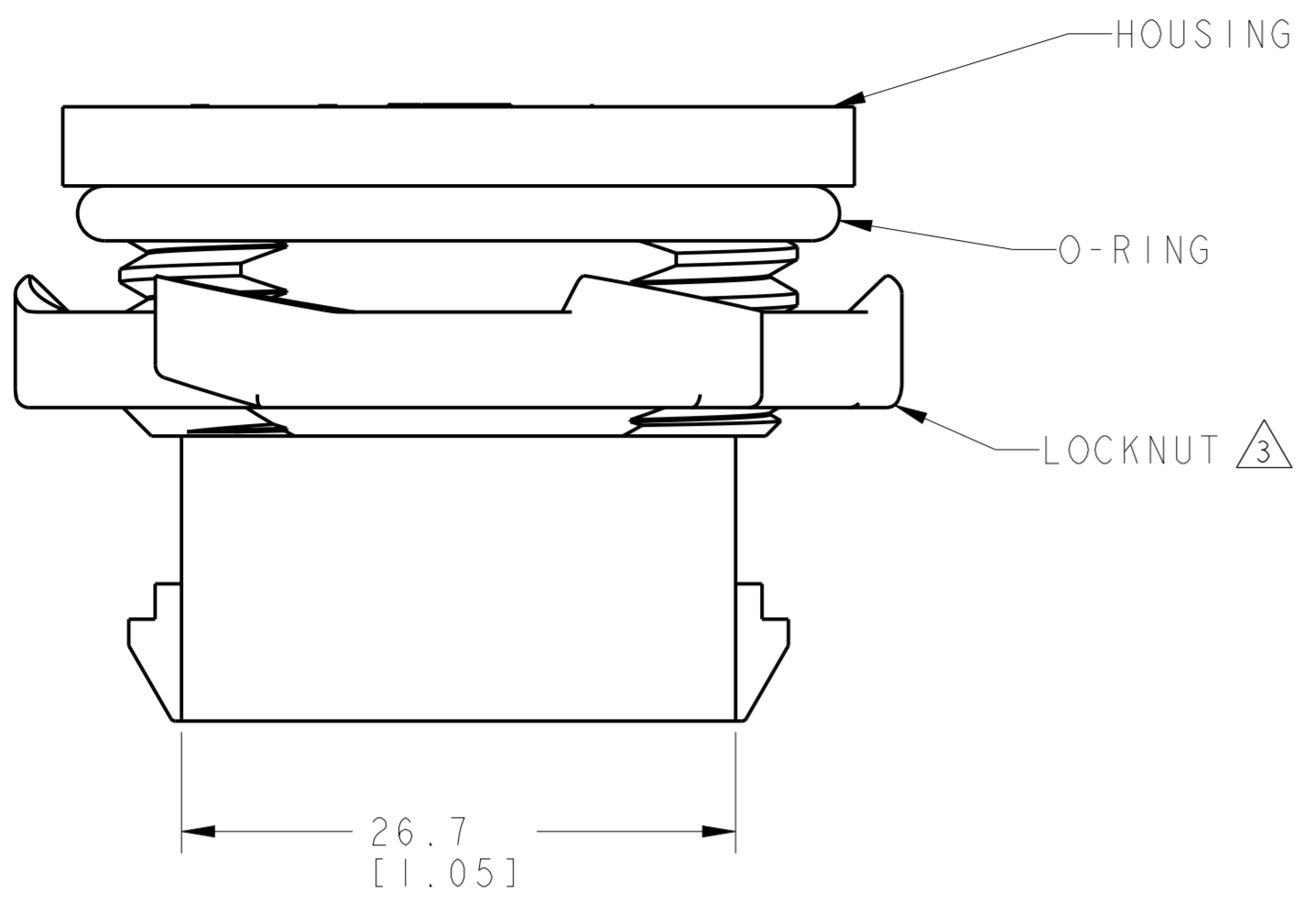
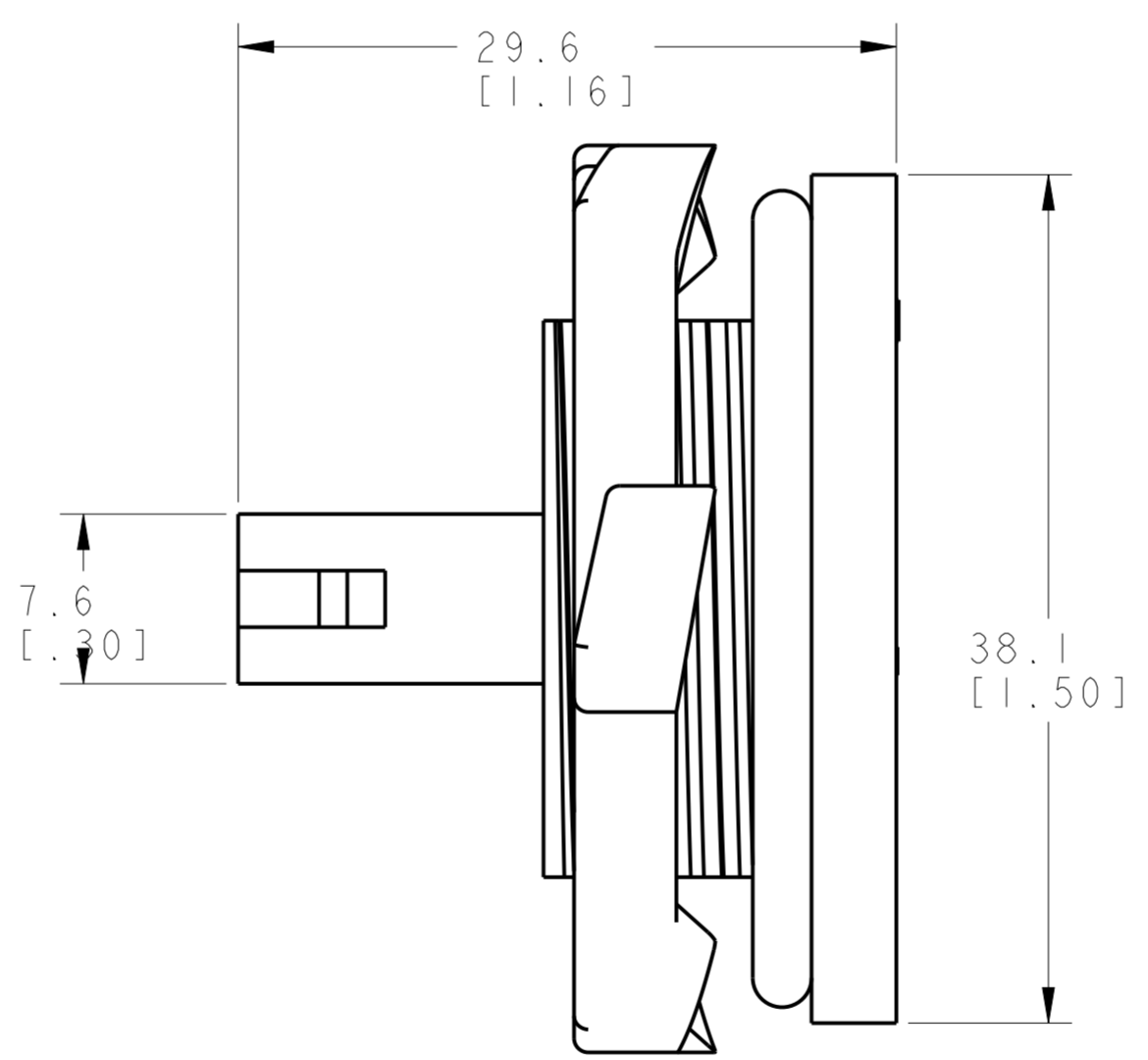
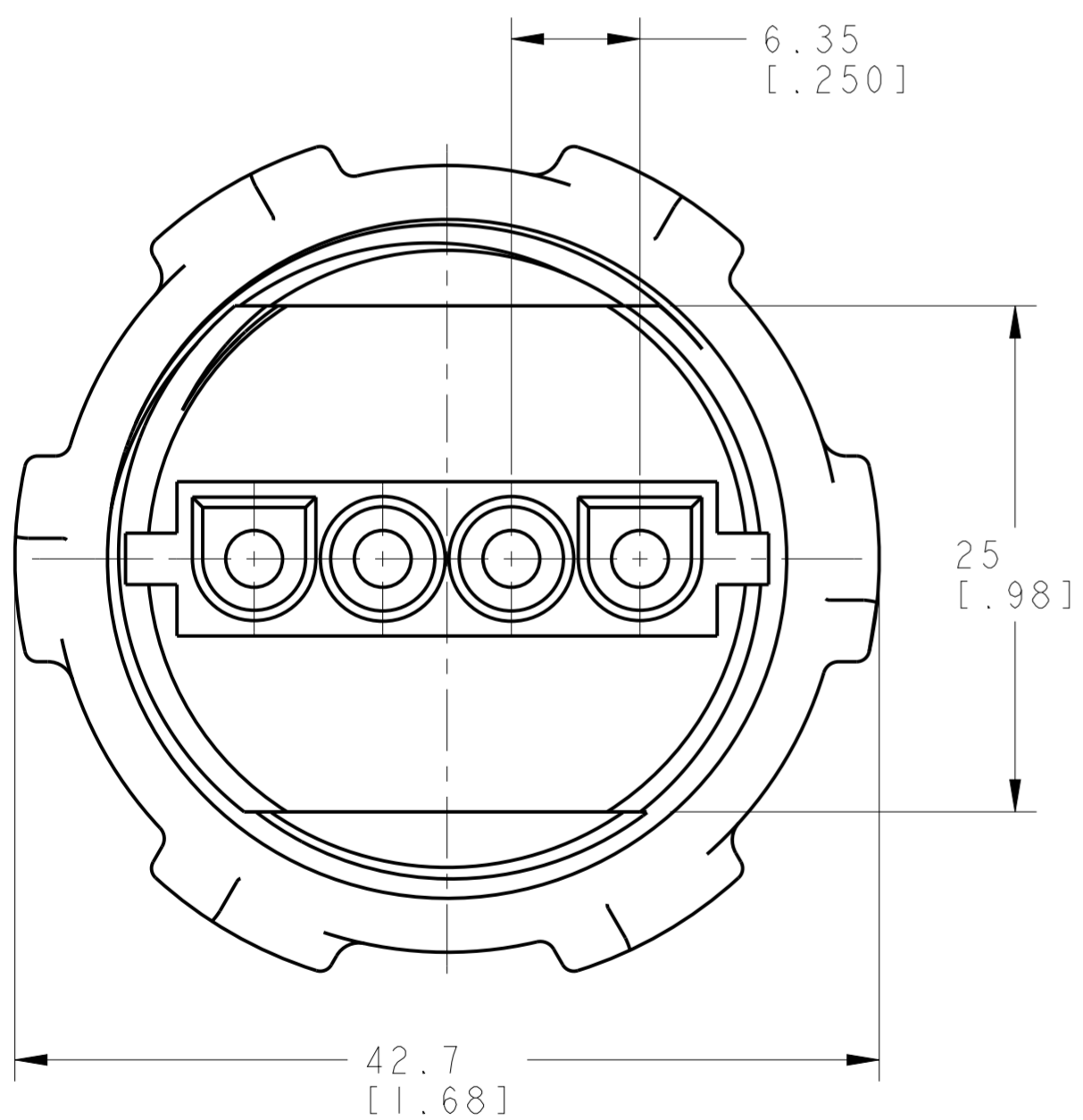


THIS DRAWING IS UNPUBLISHED. RELEASED FOR PUBLICATION 20
 © COPYRIGHT 20 BY - ALL RIGHTS RESERVED.

REVISIONS					
P	LTR	DESCRIPTION	DATE	DWN	APVD
A1		REVISED PER ECR-17-015449	25OCT2017	BDA	KR
A2		REVISED PER ECO-20-008510	17JUN2020	WLS	DZ
A3		REVISED PER ECN-20-100768	03DEC2020	WLS	VS
B		REVISED PER ECN-21-103649	10MAY2021	WLS	VS



RECOMMENDED
 PANEL CUT-OUT
 SCALE 2:1



- \triangle LOCKNUT : METAL
 HOUSING : NYLON, FLAME RETARDANT, UL94-V0
 O-RING : NEOPRENE BLACK (-1) OR
 SILICONE RUBBER RED (1- -1).
- \triangle LOCKNUT : PLATED
- \triangle LOCKNUT, SIX(6) OR EIGHT(8) SYMETRICAL
 PLACED GRIP POINTS PERMISSIBLE.
- 4 DIMENSIONS SHOWN REPRESENT PRODUCT
 IN DRY, AS MOLDED, CONDITION.
 ADDITIONAL 2% GROWTH DUE TO SUBSEQUENT
 MOISTURE ABSORPTION MAY OCCUR AND
 SHOULD BE ACCOUNTED FOR.
- \triangle ROHS COMPLIANT.

\triangle 1-1604256-1
 OBSOLETE ~~1604256-1~~
 PART NO

THIS DRAWING IS A CONTROLLED DOCUMENT.		DWN J.C. YOSLER 22APR2002	STE TE Connectivity	
DIMENSIONS: INCHES		CHK J.H. WEAVER 22APR2002		
TOLERANCES UNLESS OTHERWISE SPECIFIED:		APVD J.H. WEAVER 22APR2002	NAME BULKHEAD CONNECTOR ASSEMBLY 4 CIRCUIT, UNIVERSAL MATE-N-LOK(TM)	
0 PLC ±	1 PLC ±0.5 [.02]	PRODUCT SPEC	SIZE	CAGE CODE
2 PLC ±0.13 [.005]	3 PLC ±	APPLICATION SPEC	A2	00779
4 PLC ±	ANGLES ±	WEIGHT	C-1604256	RESTRICTED TO
MATERIAL \triangle	FINISH \triangle	CUSTOMER DRAWING	SCALE 3:1	SHEET 1 OF 1
			REV B	

X-ON Electronics

Largest Supplier of Electrical and Electronic Components

Click to view similar products for [Pin & Socket Connectors](#) category:

Click to view products by [TE Connectivity](#) manufacturer:

Other Similar products are found below :

[6450822-1](#) [770392-1](#) [794042-1](#) [796885-1](#) [8-794535-1](#) [PLR3455ACS-222](#) [R929991004](#) [R929993003](#) [1403611-1](#) [1-480349-5](#) [152302-5](#)
[153211-2](#) [1586092-1](#) [1586129-1](#) [1586681-4](#) [1586700-1](#) [1586368-1](#) [1586380-1](#) [1586616-1](#) [1586680-5](#) [16-06-0038](#) [164164-5](#) [1-6609930-1](#)
[172296-1](#) [19-09-2035](#) [200503-1](#) [200788-2](#) [2029090-4](#) [2029095-4](#) [925061-7](#) [293734-4](#) [293737-2](#) [1-765362-4](#) [1871534-1](#) [200833-4](#)
[2008625-2](#) [2029027-2](#) [2029096-4](#) [R929991000](#) [R929991002](#) [R929993000](#) [319-10-101-00-005000](#) [319-10-102-00-001000](#) [319-10-104-00-001000](#) [319-10-105-00-001000](#) [319-10-108-00-001000](#) [319-10-112-00-006000](#) [39-01-8019](#) [319-10-101-00-001000](#) [319-10-102-00-005000](#)