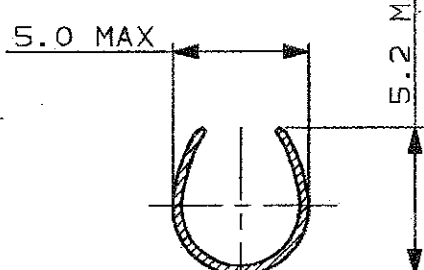
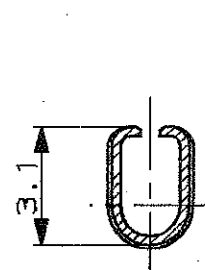
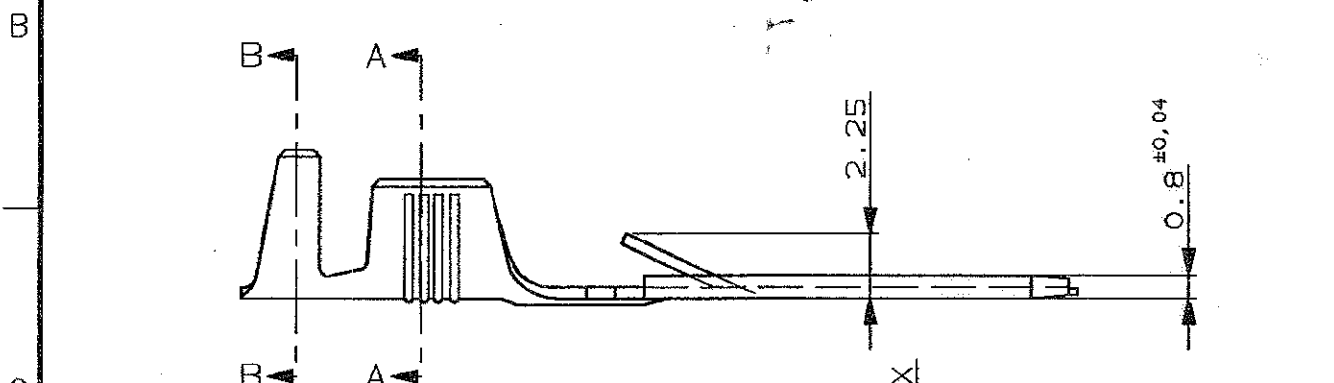
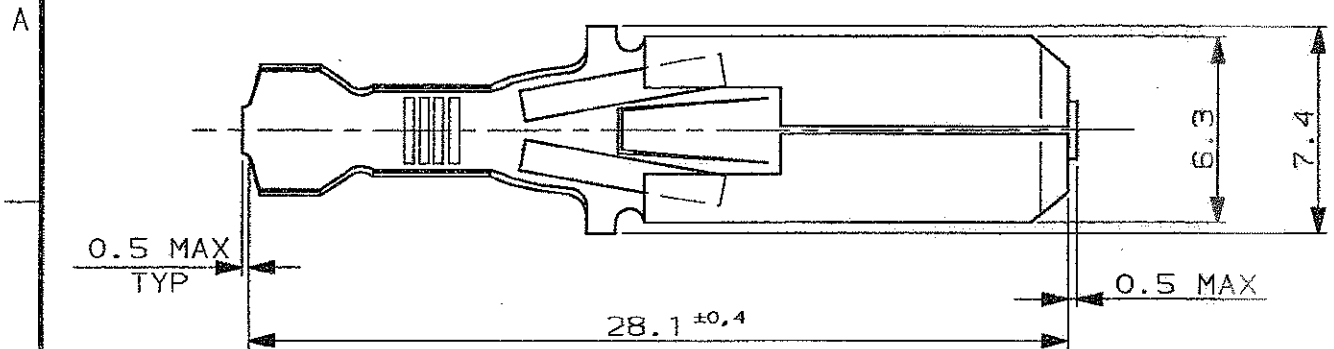


SCALA NON IMPEGNATIVA
 (DO NOT SCALE)
 DIMENSIONI IN mm
 (DIMENSIONS IN mm)

METRIC

PROIEZIONE EUROPEA
 (EUROPEAN PROJECTION)



OBSOLETE

ARGENTATO (SILVER PLATED)	BRONZO FOSFOROSO (PHOSFOR BRONZE)	160451-3
STAGNATO (TIN PLATED)	BRONZO FOSFOROSO (PHOSFOR BRONZE)	160451-2
NUDO (PLAIN)	BRONZO FOSFOROSO (PHOSFOR BRONZE)	160451-1
FINITURA / COLORE (FINISH / COLOUR)	MATERIALE (MATERIAL)	NUMERO (PART NUMBER)

CUSTOMER DWG.
 FOR REFERENCE ONLY

DISEGNO PER CLIENTE
 SOLO PER RIFERIMENTO

THIS DRAWING IS UNPUBLISHED | RELEASE FOR PUBLICATION 19

© COPYRIGHT 19 BY TE INCORPORATED, HARRISBURG, PA. ALL INTERNATIONAL RIGHT RESERVED. TE PRODUCTS MAY BE COVERED BY U.S. AND FOREIGN PATENT AND/OR PATENT PENDING

TOLLERANZE, SE NON DIVERSAMENTE SPECIFICATO <small>(TOLERANCES, UNLESS OTHERWISE SPECIFIED)</small>	DIAM. ISOLANTE (INS. DIA. RANGE)	RANGO FILO (WIRE RANGE)	SCALA (SCALE)
± 0.3	3.1-4.1mm	0.8-2.1mm ²	---

ANGOLI
(ANGLES) ± 2°



DIS. (DR.) P. ZAMPIROLO 01-02-2001	DESCRIZIONE (DESCRIPTION) .250 SERIES FASTIN FASTON TAB (LOOSE PIECE)
---------------------------------------	--

REV. (REV.)	NUMERO (DWG NO)	REV.	FOGLIO (SHEET)
0	I A4 C-160451	D1	1 DI (OF) 1

DISTRIBUZIONE (PRINT DIST.)

D1	ECR-10-022530	KK	03FEB11
D	UNIFY CUST. TO PROD. DWG REV.		
O	REDRAWN BY CAD PER ET00-0041-01	P.Z.	
REV. (REV.)	REVISIONI (REVISION RECORD)	DIS. DATA (DR) (DATE)	APP. (APP.)

X-ON Electronics

Largest Supplier of Electrical and Electronic Components

Click to view similar products for [Terminals](#) category:

Click to view products by [TE Connectivity](#) manufacturer:

Other Similar products are found below :

[HT-13-10](#) [71M-250-32-NB](#) [01-2065-1-0216](#) [00581P0075](#) [M10-10RX](#) [M10BCK](#) [60205-1](#) [604200-1](#) [60598-1-CUT-TAPE](#) [60617-1-C](#) [60873-1](#) [M14-516R/SK](#) [M14-6RSX](#) [M18-8FBX](#) [M18-8R/LX](#) [M18BCK](#) [61314-6-C](#) [61-S](#) [61-SN-A](#) [62-NBM-A](#) [63-S](#) [640179-1](#) [640917-2-CUT-TAPE](#) [6501550002](#) [66107-2-C](#) [696683-1](#) [696834-1](#) [696861-1](#) [696931-1](#) [696999-1](#) [M8-516RK](#) [M86700006](#) [MA250DMFMX-A](#) [701-2007](#) [701-2307](#) [701-7761-03](#) [70F-110-32-PB](#) [718-N-A](#) [71M-187-20-NBL](#) [71M-250-32-NBL](#) [72F-187-20-NBL](#) [72M-250-32-NBL](#) [7310](#) [73F-250-32](#) [73F-250-32-NL](#) [F14-10C](#) [F-1M](#) [751-250](#) [76650-5002](#) [76828-149](#)