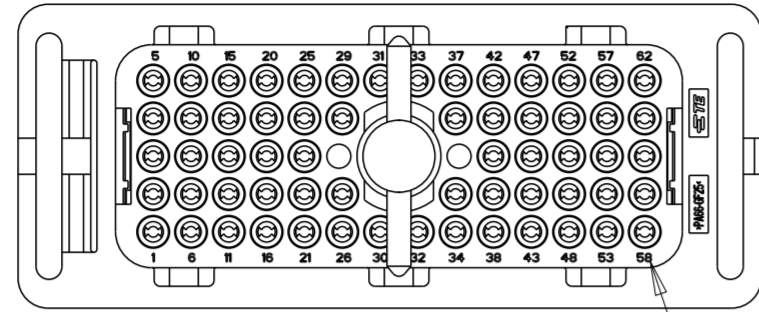
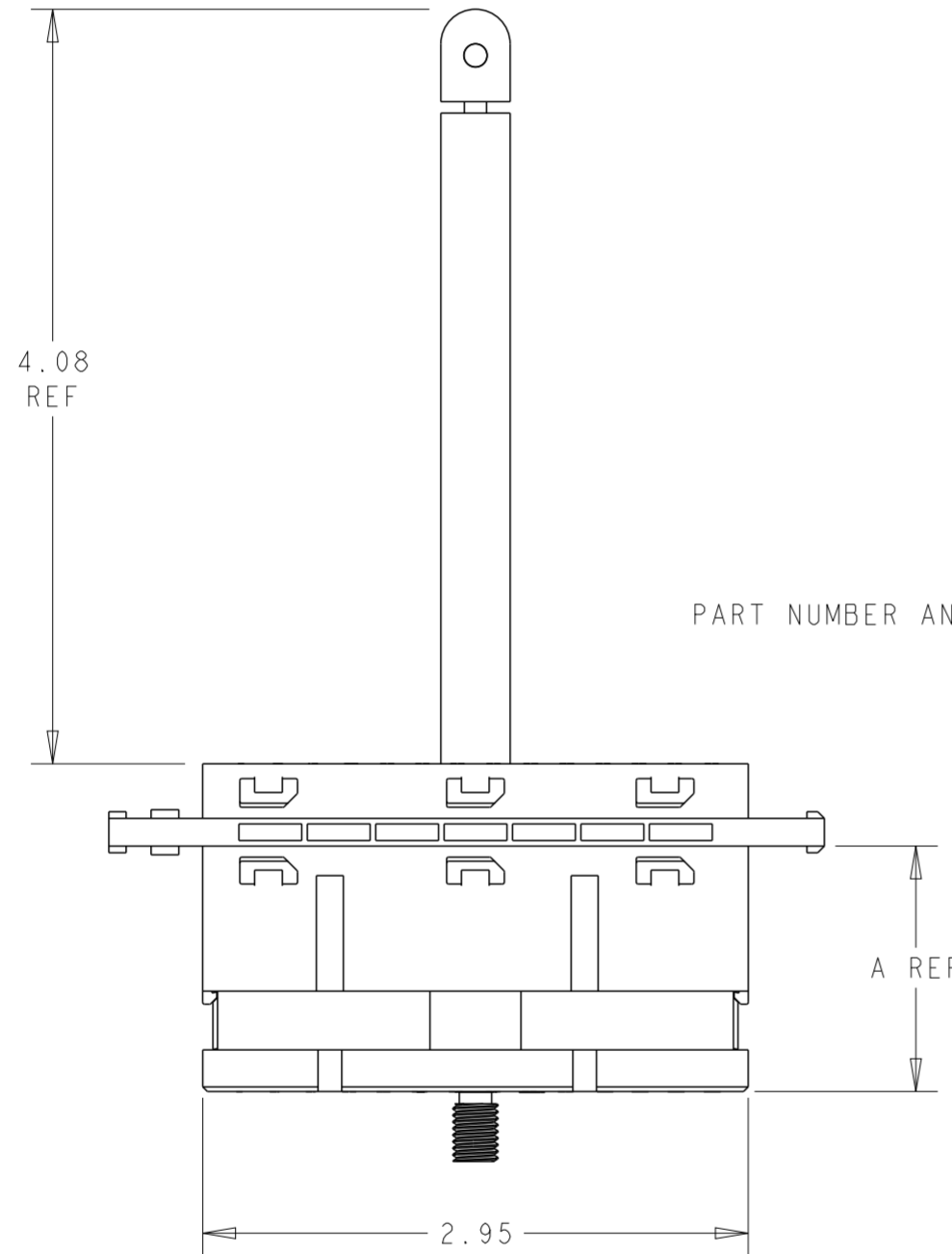


THIS DRAWING IS UNPUBLISHED. RELEASED FOR PUBLICATION 20
 © COPYRIGHT 20 BY - ALL RIGHTS RESERVED.

REVISIONS				
P	LTR	DESCRIPTION	DATE	APVD
B	I	REVISED ECO-05-004611	11AUG2005	SW GS
C		REVISED PER ECO-18-007255	24MAY2018	KH MZ



CAVITY ID INK STAMPED ON THIS SURFACE



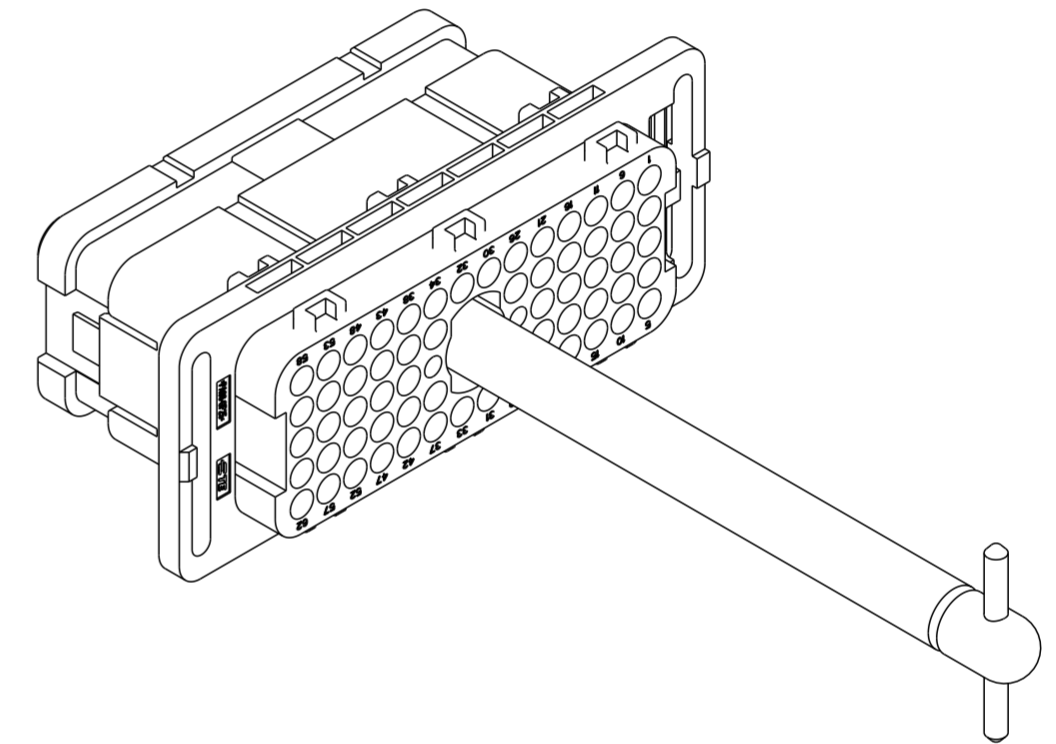
JACKSCREW
STAINLESS STEEL
QTY: 1

PART NUMBER AND DATE CODE MARKED ON THIS SURFACE

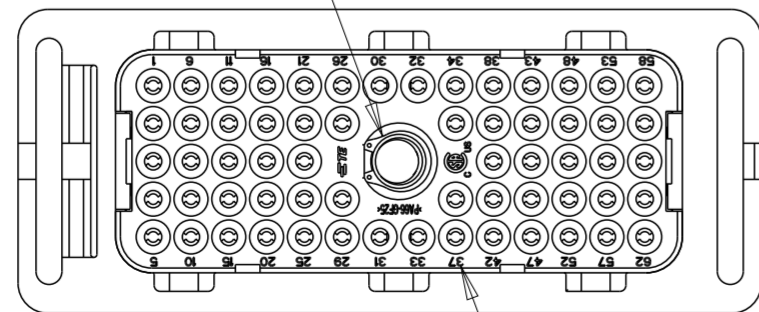
REAR HOUSING
THERMOPLASTIC, COLOR: BLACK
QTY: 1

FRONT HOUSING
THERMOPLASTIC, COLOR: RED
QTY: 1

1. UL RECOGNIZED AND CSA CERTIFIED ASSEMBLY.
2. PENDING QUALIFICATION.



RETAINING RING
MATERIAL: CARBON STEEL
QTY= 1



CAVITY ID MOLDED ON THIS SURFACE

1.000	1.328	1604520-1
ASSEMBLED	PRELOADED	PART NUMBER
A		

THIS DRAWING IS A CONTROLLED DOCUMENT.		DWN - 11OCT2002	STE TE Connectivity	
DIMENSIONS: mm		CHK R.P.WALTER 11OCT2002		
TOLERANCES UNLESS OTHERWISE SPECIFIED:		APVD R.P.WALTER 11OCT2002	NAME PLUG ASSEMBLY, 62 POSITION, W/ MALE JACKSCREW, FOR AMPSEAL CONTACTS, METRIMATE-STYLE	
0 PLC ±		PRODUCT SPEC -	SIZE CAGE CODE DRAWING NO RESTRICTED TO	
1 PLC ±		APPLICATION SPEC -	A200779 C-1604520	
2 PLC ±		WEIGHT -	SCALE 1:1 SHEET OF REV C	
3 PLC ±.005		CUSTOMER DRAWING		
4 PLC ±				
ANGLES ±°				
FINISH -				

X-ON Electronics

Largest Supplier of Electrical and Electronic Components

Click to view similar products for [Headers & Wire Housings](#) category:

Click to view products by [TE Connectivity](#) manufacturer:

Other Similar products are found below :

[95000-104TRLF](#) [10135584-644402LF](#) [DF62W-EP2022PCA](#) [95000-106TRLF](#) [DF62W-2022SCA](#) [DF62W-EP2022PC](#) [2203348](#) [DF62W-2022SC](#) [1084018](#) [1029039](#) [1084017](#) [802-10-012-10-002000](#) [1112640](#) [1112639](#) [891-007-9SS-BST1T](#) [000-34000](#) [0008550134](#) [0009482033](#) [0009507031](#) [57102-F02-18ULF](#) [57102-S06-03LF](#) [57202-S52-04LF](#) [PCN6-15S-2.5E](#) [0039019024](#) [58102-G61-06LF](#) [582553-1](#) [0009485154](#) [0009508121](#) [0022285053](#) [0050291907](#) [018731A](#) [LY20-4P-DT1-P1E-BR](#) [02.125.8002.8](#) [60101931](#) [60598-1 \(Cut Strip\)](#) [M1625-3R/100](#) [61062-3](#) [61082-181009](#) [CSU011177004](#) [636-1427](#) [638009-1](#) [641938-9](#) [641991-4](#) [644168-1](#) [644827-2](#) [647662-1](#) [65039-019ELF](#) [65692-001LF](#) [65781-018](#) [65781-047](#)