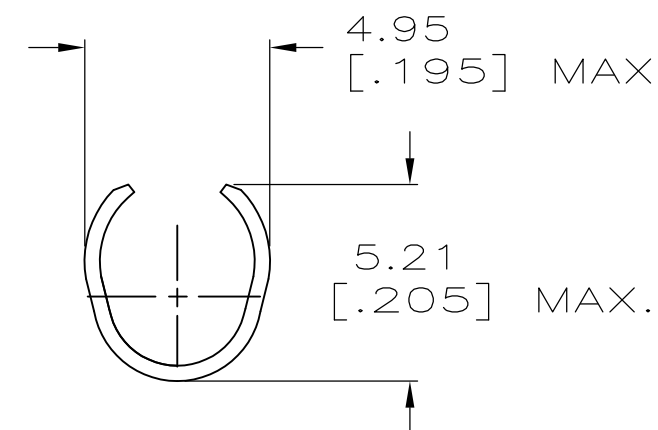
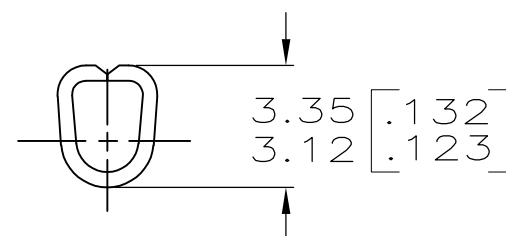
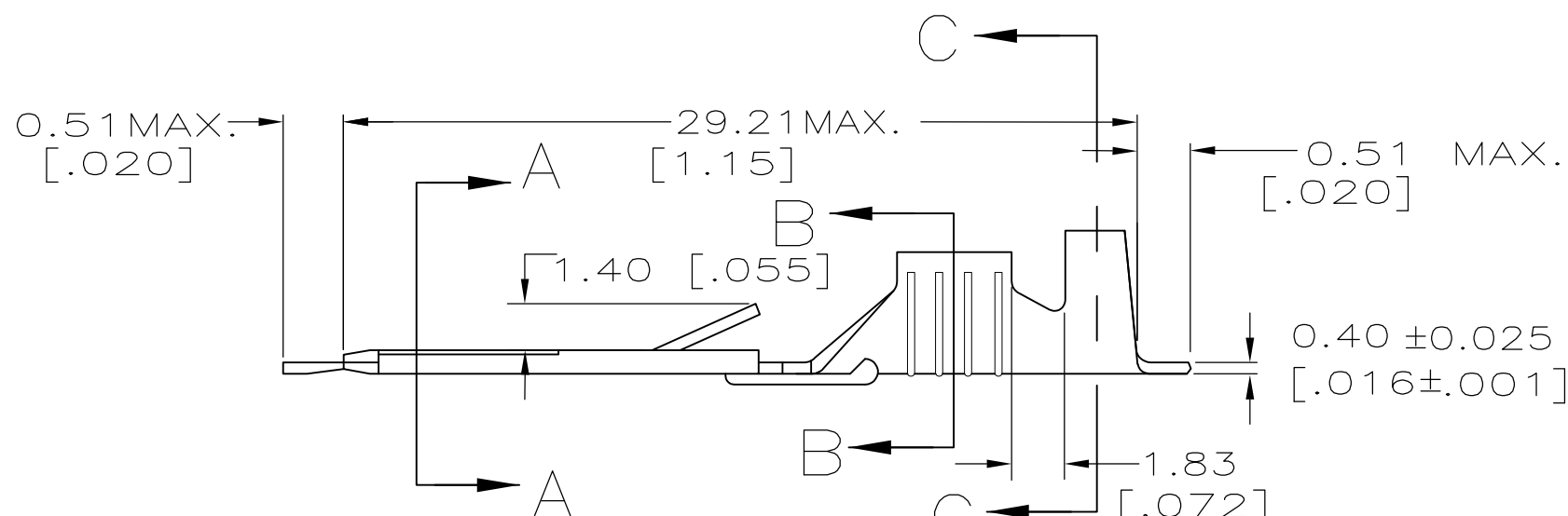
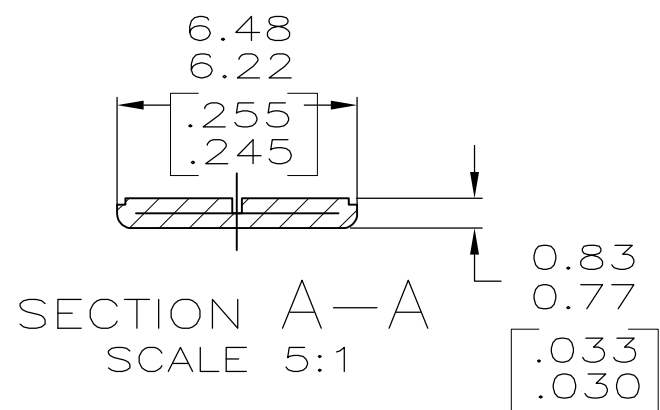


THIS DRAWING IS UNPUBLISHED. RELEASED FOR PUBLICATION - ,1966.

© COPYRIGHT 1966 BY TYCO ELECTRONICS CORPORATION. ALL RIGHTS RESERVED.

LOC	DIST	REVISIONS			
P	LTR	DESCRIPTION	DATE	DWN	APVD
IR	-	B	FIRST ISSUE	12MAR2011	PKS MP

- 1 SUPPLIED IN LOOSE PIECE
- 2 TIN 0.002032 [.000080] MIN.
- 3 SILVER 0.003048 [.000120] MIN.



160457-3	3.05-3.68	#18-#16 AWG	SILVER $\triangle 3$	PH.BRONZE	160458-3
160457-2	[.120-.145] DIA		TIN $\triangle 2$		160458-2
160457-1			-		160458-1
STRIP NO.	INSULATION RANGE	WIRE SIZE	FINISH	MATERIAL	PART NO.

THIS DRAWING IS A CONTROLLED DOCUMENT.		DWN SENTHIL 11MAR2011	Tyco Electronics Corporation India		
DIMENSIONS: INCHES		CHK SENTHIL 11MAR2011	Bangalore, India		
TOLERANCES UNLESS OTHERWISE SPECIFIED:		APVD M.PERCHERKE 12MAR2011	NAME		
0 PLC ± -		PRODUCT SPEC	TAB, FASTIN-FASTON, .250 SERIES		
1 PLC ± -		APPLICATION SPEC	-		
2 PLC ± 0.38 [.015]		WEIGHT	SIZE	CAGE CODE	DRAWING NO
3 PLC ± -			A3	00779	C-160458
4 PLC ± -			RESTRICTED TO		
ANGLES ± -			-		
MATERIAL SEE TABLE	FINISH SEE TABLE	CUSTOMER DRAWING		SCALE 4:1	SHEET 1 OF 1
				REV B	

## X-ON Electronics

Largest Supplier of Electrical and Electronic Components

*Click to view similar products for [Terminals](#) category:*

*Click to view products by [TE Connectivity](#) manufacturer:*

Other Similar products are found below :

[00-054007-01074-6](#) [00-054007-70206-1](#) [00-054007-70210-8](#) [00-054007-70217-7](#) [00-054007-70226-9](#) [00-054007-70228-3](#) [00-054007-70248-1](#) [00-054007-70256-6](#) [00-054007-70301-3](#) [00-054007-70316-7](#) [00-054007-49560-4](#) [00-054007-70209-2](#) [00-054007-70225-2](#) [00-054007-70227-6](#) [00-054007-70231-3](#) [00-054007-70241-2](#) [00-054007-70242-9](#) [00-054007-70244-3](#) [00-054007-70246-7](#) [00-054007-70263-4](#) [00-054007-70288-7](#) [00-054007-70290-0](#) [00-054007-70300-6](#) [00-054007-70304-4](#) [01-2065-1-0216](#) [01-2900-1-04412](#) [00581P0075](#) [600TS-10](#) [60205-1](#) [604200-1](#) [605601-1](#) [60598-1-CUT-TAPE](#) [61314-6-C](#) [61810-3](#) [61-S](#) [61-SN](#) [626-0194](#) [62-NBM-A](#) [62-SN](#) [62-SP](#) [63-S](#) [640179-1](#) [M55155/059I03](#) [M55155/079C01](#) [M55155/099H02](#) [M55155/109H01](#) [M55155/109H02](#) [M55155/12XH05](#) [M55155/16XH02](#) [M55155/29-5S](#)