

4

3

2

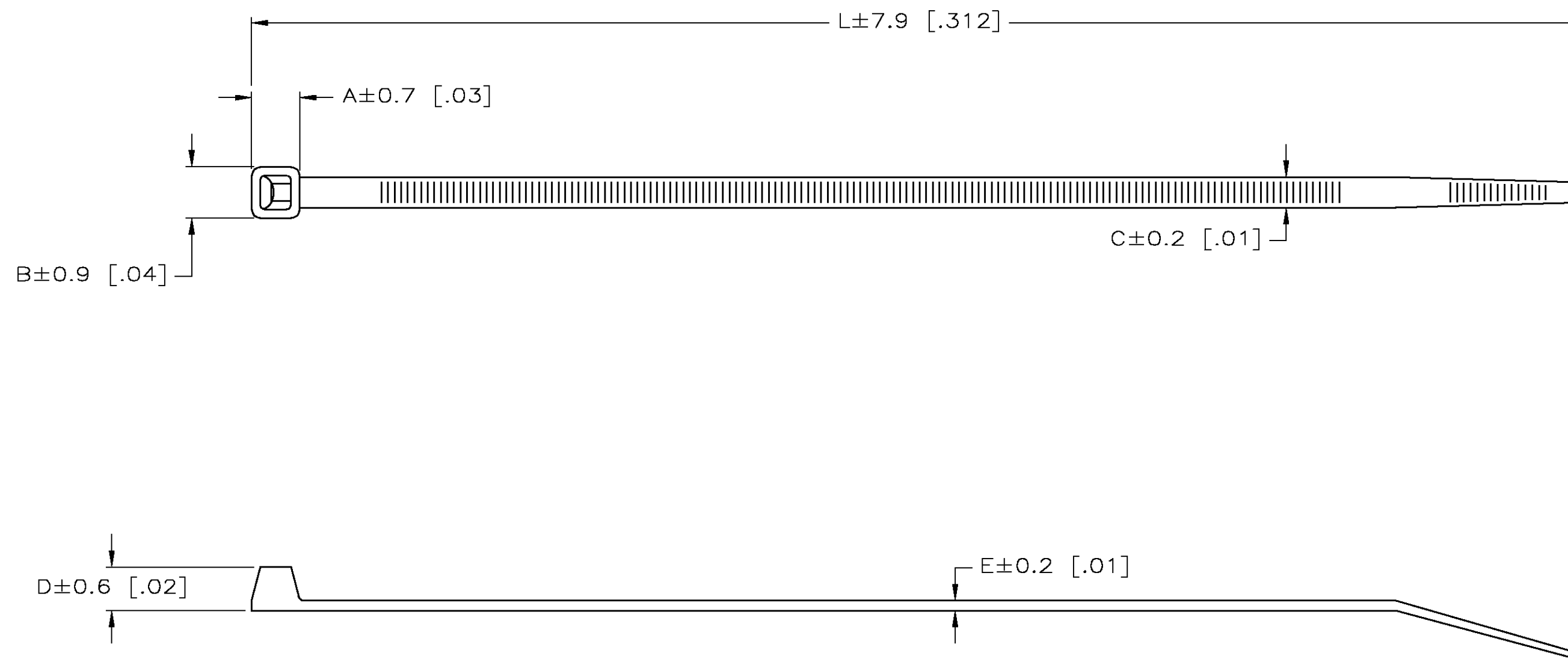
1

THIS DRAWING IS UNPUBLISHED. RELEASED FOR PUBLICATION  
 © COPYRIGHT BY TYCO ELECTRONICS CORPORATION. ALL RIGHTS RESERVED.

LOC	DIST	REVISIONS			
P	LTR	DESCRIPTION	DATE	DWN	APVD
CM	00	M	OG3B-0203-04	26-MAY-04	SH DC

UNIT OF MEASURE	A	B	C	D	E	L	MAX BUNDLE DIAMETER	MIN TENSILE STRENGTH
[INCHES]	.287	.299	.181	.232	.047	7.95	1.75	50 LBS
MILLIMETERS	7.29	7.59	4.60	5.89	1.19	202.00	44.45	22.68 KG

1. PACKAGED IN HEAT SEALED 3 MILLIMETER POLYBAGS.
2. MIL NO. MS3367-1.



QTY/ BAG	COLOR	PART NUMBER
100	NATURAL HALAR	3-604772-0
1000	NATURAL	2-604772-9
1000	BLACK	2-604772-0
100	NATURAL	1-604772-9
100	BLACK	1-604772-0
1	NATURAL	604772-1

**METRIC**

THIS DRAWING IS A CONTROLLED DOCUMENT.

DWN: S. HOOVER	26-MAY-2004	Tyco Electronics Corporation Harrisburg, Pa 17105-3608
CHK: D. COLEY	26-MAY-2004	
APVD: D. COLEY	26-MAY-2004	
PRODUCT SPEC		
APPLICATION SPEC		NAME: CABLE TIE, 8 INCH
WEIGHT	A2 00779	DRAWING NO: C-604772
CUSTOMER DRAWING	SCALE: 2:1	SHEET 1 OF 1

RESTRICTED TO: M

604772

## X-ON Electronics

Largest Supplier of Electrical and Electronic Components

*Click to view similar products for [Cable Ties](#) category:*

*Click to view products by [TE Connectivity](#) manufacturer:*

Other Similar products are found below :

[65034-C](#) [65037-C](#) [770-1751-10](#) [REL50L0C2](#) [20093-0](#) [SF600-120X](#) [SJ3518FR-1x50](#) [SJ3526N-Beige-2"x50yd](#) [SJ3526N BLACK 58" X 50YD](#) [SJ3571](#) [SJ-3571-1"x50yd-Black](#) [PLT2S-C4](#) [34-455-C](#) [3722](#) [561-B110120](#) [561-N3510](#) [TYZ528M](#) [34-463-C](#) [URT20S-M](#) [06226](#) [08350-0](#) [08600-0](#) [08376-0](#) [10325-0](#) [10362-0](#) [10606-0](#) [561-EZ250](#) [561-EZ625](#) [SJ3527N-Beige-2"x50yd](#) [SJ3527N-LOOP-BLACK-1](#) [SJ3572-2"x50yd-Black](#) [CF5625-000](#) [65004-C](#) [65005-C](#) [65007-C](#) [65036-C](#) [157-00039](#) [770-1708](#) [770-1753-10](#) [770-1752](#) [SPNY-041-9](#) [SF400-120X](#) [3719](#) [08582-0](#) [08386-0](#) [10431-0](#) [08359-0](#) [10620-0](#) [10345-0](#) [08416-0](#)