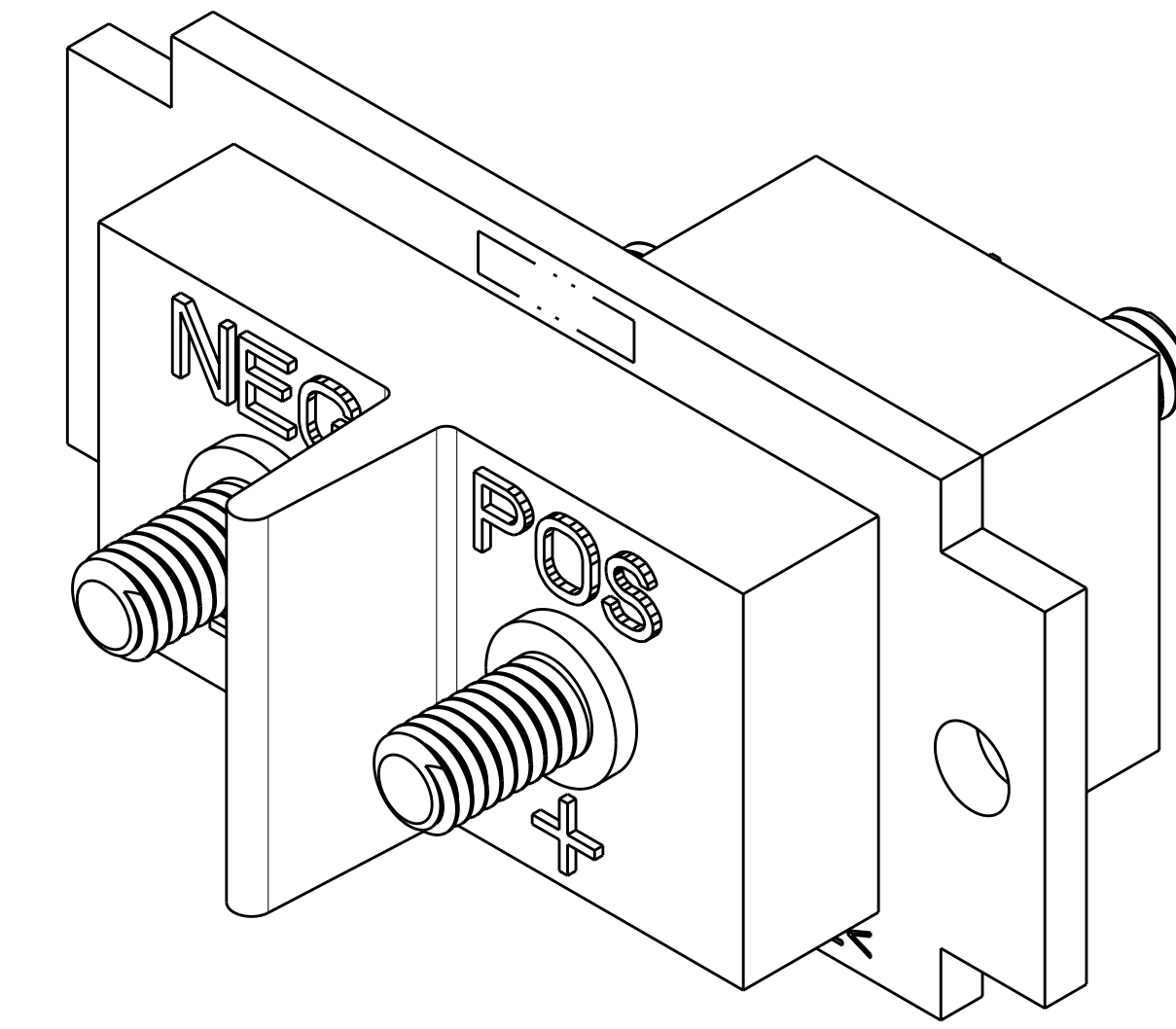
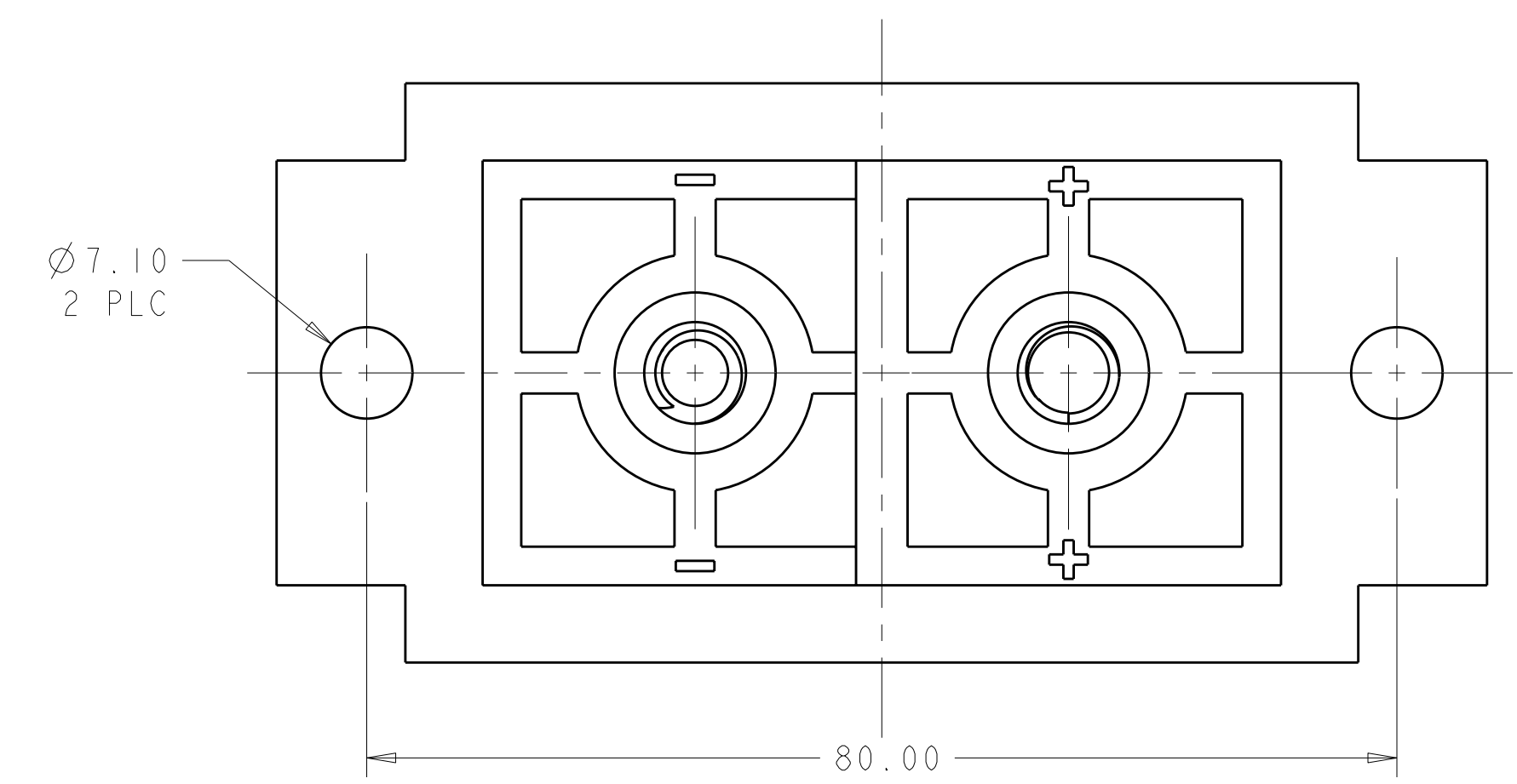
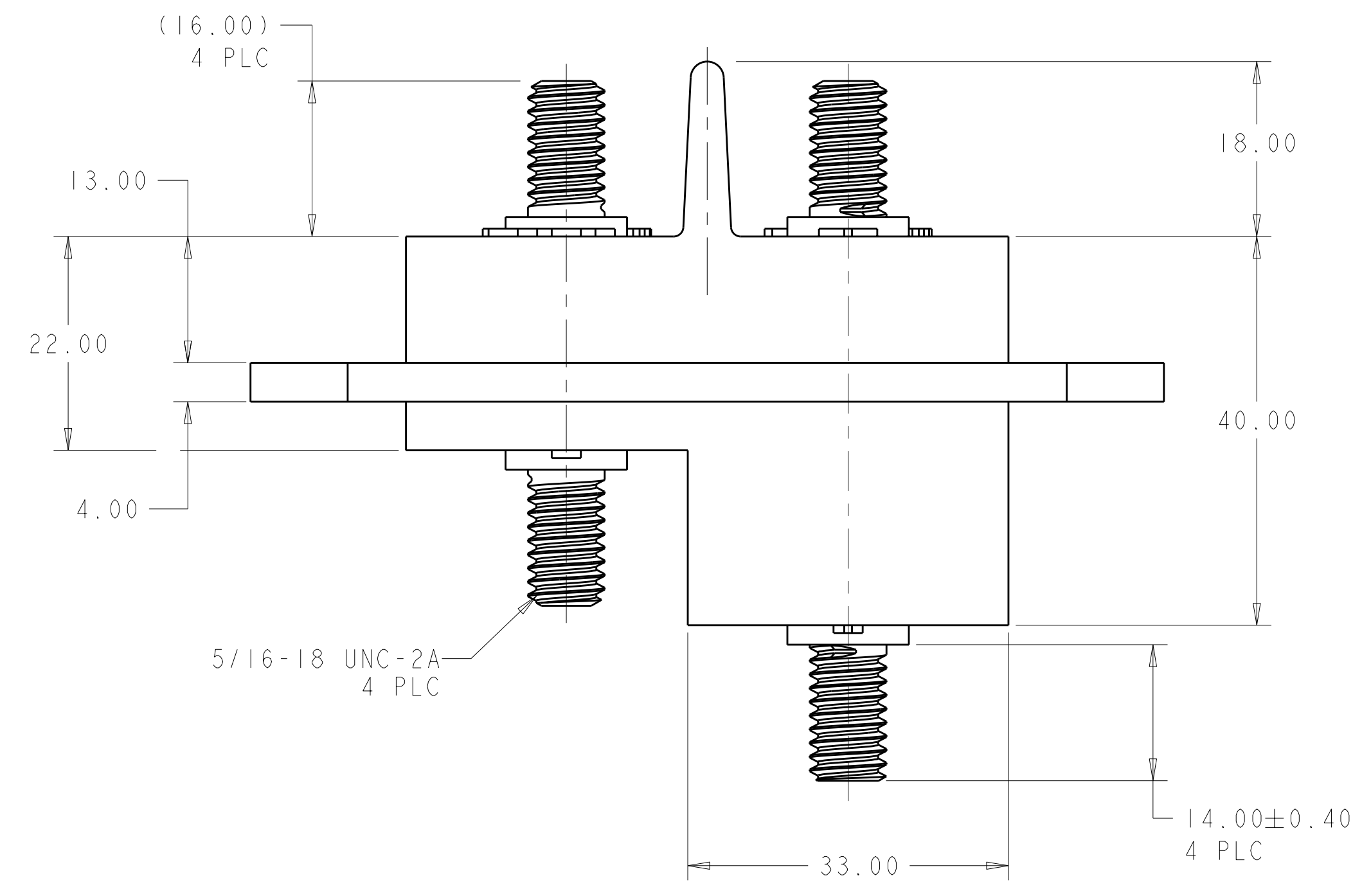
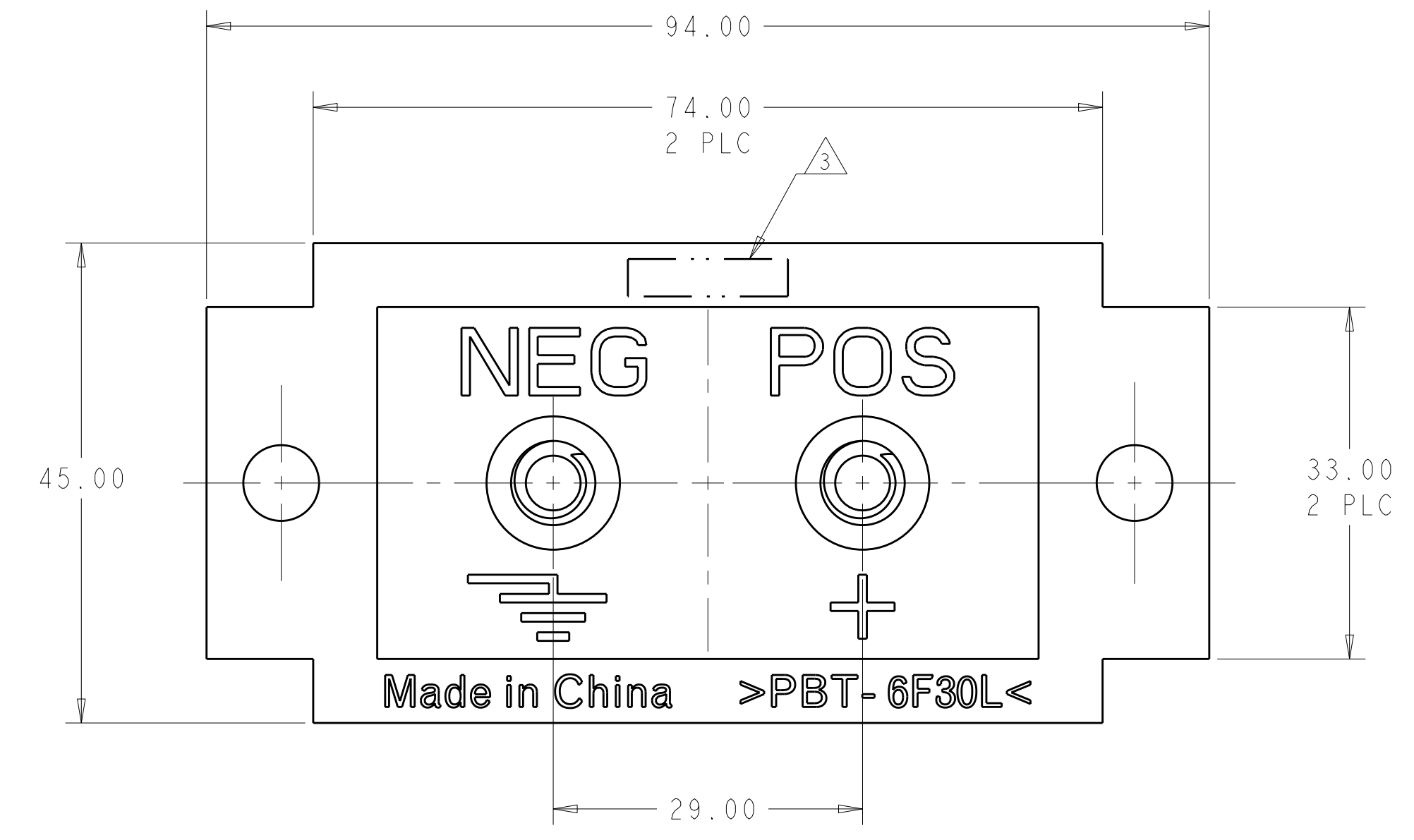


LOC	DIST	REVISIONS			
FT	0	REV	DATE	BY	APPD
		A2	11MAY2010	HMR	CR



- ⚠ MATERIAL: BLOCK - PBT
TERMINALS - BRASS
- 2 RECOMMENDED SCREW TORQUE 70 IN-LBS MAX.
- ⚠ TE LOGO LOCATED IN APPROXIMATE AREA SHOWN

1604797-1
 PART NUMBER

<small>THIS DRAWING IS UNPUBLISHED. RELEASED FOR PUBLICATION BY TYCO ELECTRONICS CORPORATION. ALL RIGHTS RESERVED.</small>		DWN: W.G. LENKER 16APR2003 CHK: N. PATEL 21AUG2003 APVD: S. YODER 13OCT2003	Tyco Electronics Harrisburg, PA 17105-3608
DIMENSIONS: mm TOLERANCES UNLESS OTHERWISE SPECIFIED: 0 PLC ± 1 PLC ± 2 PLC ±0.38 3 PLC ± 4 PLC ± ANGLES ±		NAME: ASSEMBLY, TERMINAL BLOCK PRODUCT SPEC: - APPLICATION SPEC: -	SIZE: A CAGE CODE: 00779 DRAWING NO: C=1604797 RESTRICTED TO: -
MATERIAL: - FINISH: -		WEIGHT: - CUSTOMER DRAWING	SCALE: 2:1 SHEET: 1 OF 1 REV: A2

X-ON Electronics

Largest Supplier of Electrical and Electronic Components

Click to view similar products for [Barrier Terminal Blocks](#) category:

Click to view products by [TE Connectivity](#) manufacturer:

Other Similar products are found below :

[CR151D20104](#) [670A-RZ-15-KT20](#) [6C1N03](#) [6PCR-02](#) [6PCR-02-008](#) [6PCR-05-008](#) [6PCR-08-008](#) [6PCR-09-008](#) [6PCR-13-006](#) [6PCR-15-006](#) [6PCR-21-006](#) [6PCV-06-008](#) [6PCV-06-716](#) [6PCV-09-001](#) [6PCV-10-009](#) [6PCV-15-008](#) [6PCV-17-1206](#) [6PCV-20-323](#) [6PCV-30-006](#) [6STR-06-006](#) [6STR-08-006](#) [6STR-12-008](#) [6STR-13-006](#) [6STR-14-008](#) [6STR-16-008](#) [6STR-17-008](#) [6STR-21-008](#) [6STR-25-008](#) [6STR-27-008](#) [6STV-03-006](#) [6STV-03-008](#) [6STV-04-006](#) [6STV-09-006](#) [6STV-10-006](#) [6WWR-03-693](#) [6WWV-12-008](#) [6WWV-16-008](#) [72212603](#) [72504-C-50](#) [72506-C](#) [72507-C-50](#) [73203](#) [75505-C](#) [75505-C-50](#) [75510-C](#) [77010-50](#) [7C1N08](#) [812-GP-3/4ST-09](#) [8-1437402-5](#) [8-1437402-7](#)