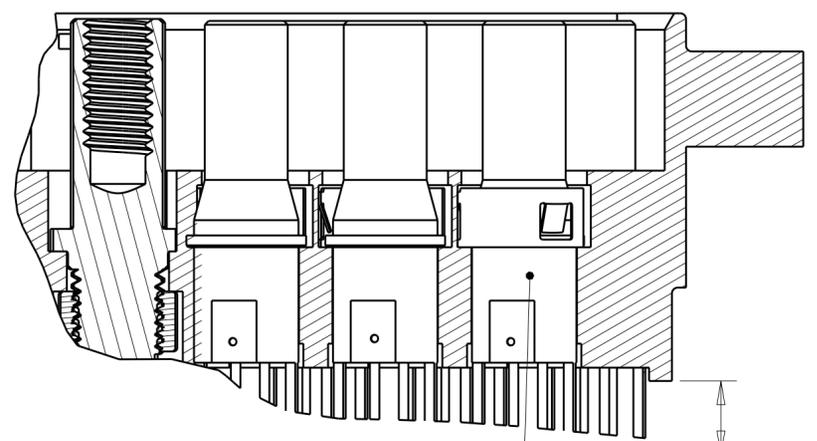
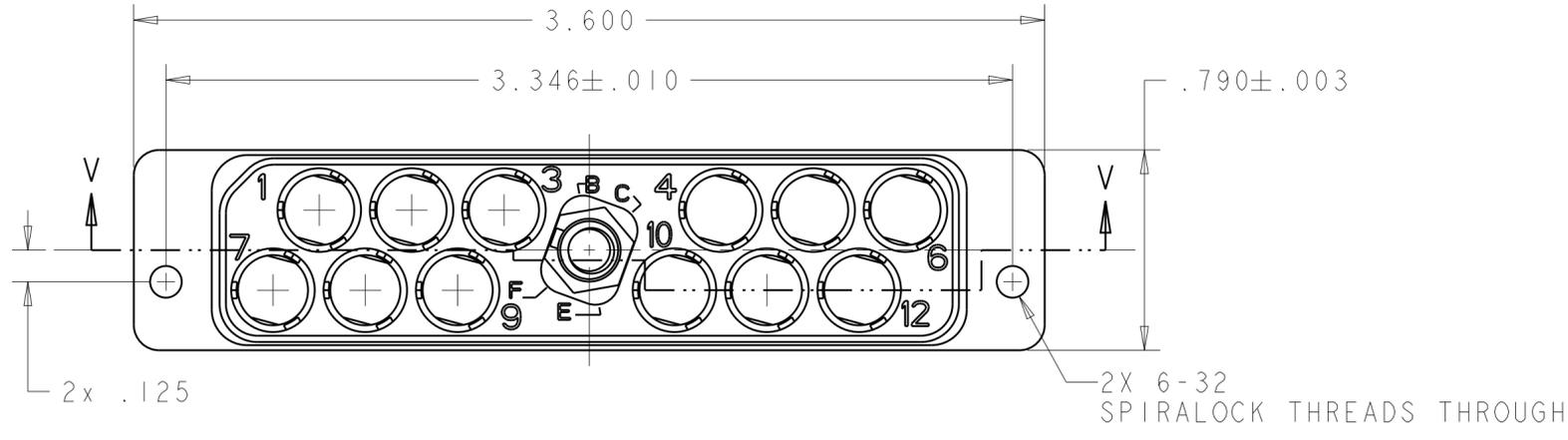
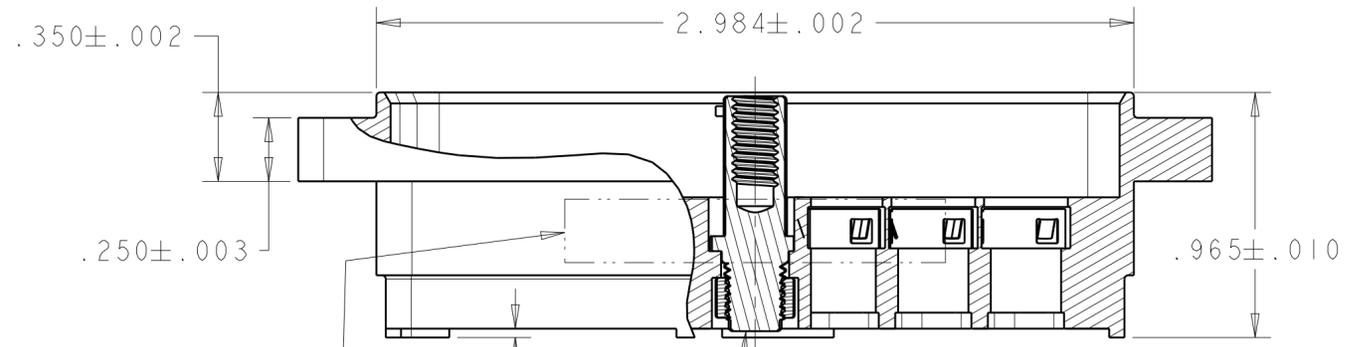


THIS DRAWING IS UNPUBLISHED. RELEASED FOR PUBLICATION 20
 © COPYRIGHT 20 BY - ALL RIGHTS RESERVED.

| REVISIONS | | | | |
|-----------|-----|-----------------------|-----------|-------|
| P | LTR | DESCRIPTION | DATE | APVD |
| E | | REV PER ECO 17-015222 | 20OCT2017 | CT OC |



FR/FR QUADRAX PIN ASSY
 12 REQD, NOT INCLUDED,
 MUST BE ORDERED SEPARATELY;
 SEE DRAWING 1445626; VARIOUS
 TAIL LENGTHS ARE AVAILABLE



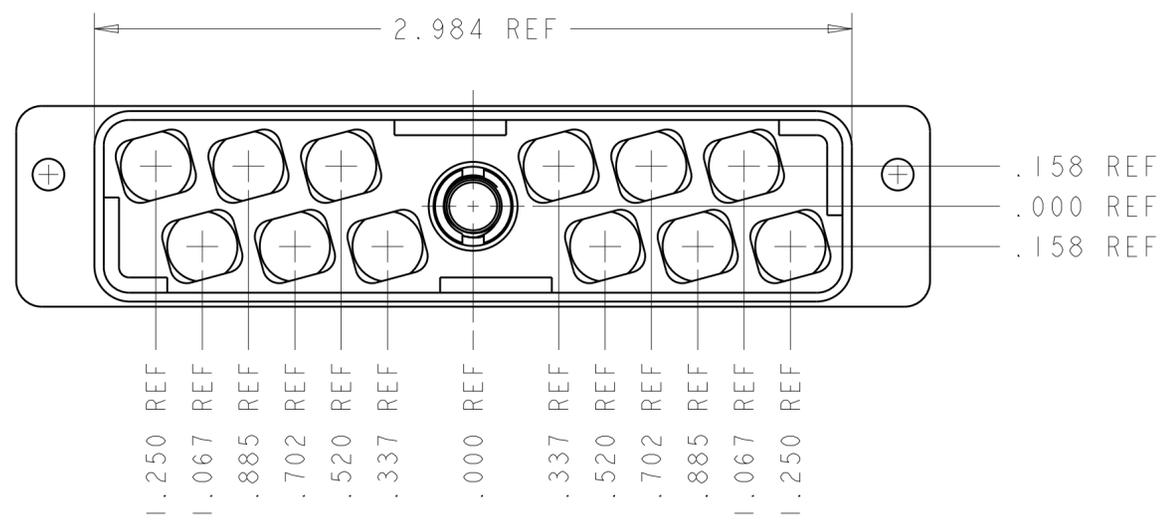
TE LOGO, TE PART NUMBER,
 AND DATE CODE MARKED
 APPROX AS SHOWN ON
 NEAR OR FAR SIDE

2X REF
 JACK POST ASSY
 SIMILAR TO BACC65AG
 (NOT INCLUDED ON -1)
 FLAT PLZLN W/ 1604798-2

RECEPTACLE SHELL
 MATL: ALUMINUM ALLOY
 FINISH: ELECTROLESS
 NICKEL

RETENTION CLIP, 12 REQD
 MATL: STAINLESS STEEL
 FINISH: PLATED SILVER

SECTION V-V



REFERENCE APPLICATION SPEC.
 FOR RECOMMENDED BOARD LAYOUT

| | | | |
|----------------------------|--------------------------------|-----------------------------------|-----------|
| D | DUST COVER INCLUDED SEE SHT 2 | WITH JACKPOST (FLAT POLARIZATION) | 1604798-5 |
| C | DUST COVER INCLUDED SEE SHT 2 | WITH JACKPOST (FLAT POLARIZATION) | 1604798-4 |
| B | DUST COVER INCLUDED SEE SHT 2 | WITH JACKPOST (FLAT POLARIZATION) | 1604798-3 |
| A | DUST COVER INCLUDED; SEE SHT 2 | WITH JACKPOST (FLAT POLARIZATION) | 1604798-2 |
| - | DUST COVER NOT INCLUDED | WITHOUT JACKPOST | 1604798-1 |
| JACKPOST POLARIZATION CODE | DUST COVER P/N 1604996-1 | DESCRIPTION | PART NO. |

THIS DRAWING IS A CONTROLLED DOCUMENT.

DWN: 25 JUNE 2004 Brent D. Yohn
 CHK: 25 JUNE 2004 W. H. BERNHART
 APVD: 25 JUNE 2004 W. H. BERNHART

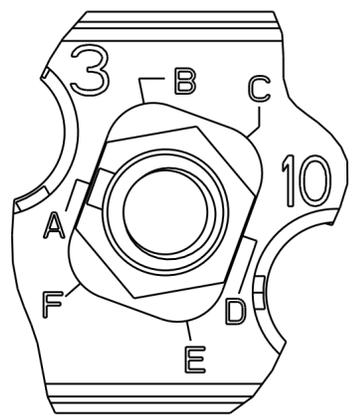
TE Connectivity

NAME: ASSEMBLY, RECEPTACLE, QUADRAX, PWB MOUNT, FR/FR, 12 POSN

SIZE: A2 CAGE CODE: 200779 DRAWING NO: 1604798

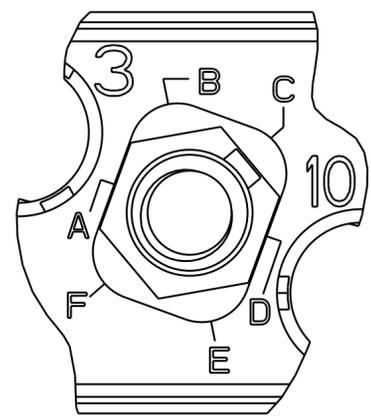
SCALE: 2:1 SHEET 1 OF 2 REV E

| REVISIONS | | | | |
|-----------|-----|-------------|------|------|
| P | LTR | DESCRIPTION | DATE | APVD |
| - | | SEE SHEET 1 | - | - |
| | | | | |
| | | | | |



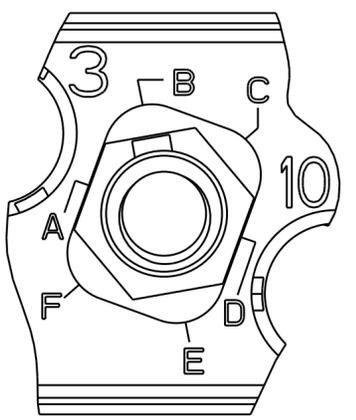
1604798-2
PLZN CODE A
(FLAT PLZN)

(PLZN CODES, A THRU F, SHOWN FOR REF ONLY; MARKING ON SHELL WILL ONLY SHOW CODES B,C,E AND F)



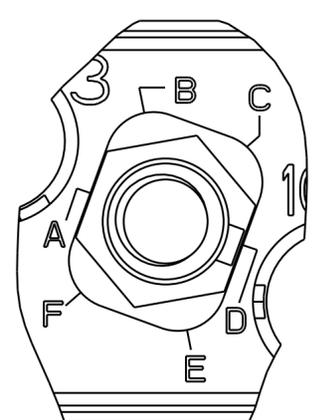
1604798-4
PLZN CODE C
(FLAT PLZN)

(PLZN CODES, A THRU F, SHOWN FOR REF ONLY; MARKING ON SHELL WILL ONLY SHOW CODES B,C,E AND F)



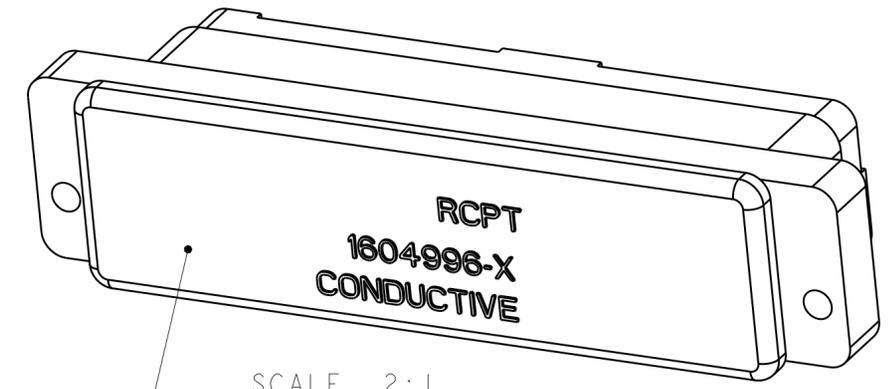
1604798-3
PLZN CODE B
(FLAT PLZN)

(PLZN CODES, A THRU F, SHOWN FOR REF ONLY; MARKING ON SHELL WILL ONLY SHOW CODES B,C,E AND F)



1604798-5
PLZN CODE D
(FLAT PLZN)

(PLZN CODES, A THRU F, SHOWN FOR REF ONLY; MARKING ON SHELL WILL ONLY SHOW CODES B,C,E AND F)



SCALE 2:1

ESD DUST COVER; PART NUMBER 1604996-1 INCLUDED WITH ASSY PART NUMBER 1604798-2, -3 AND -4

SHOWN WITH DUST COVER

| | | | | |
|---------------------------------------------------------------------------------------------------------------------|--|----------------------------------------|-------------------------------------------------------------------------------------------------------|---------------|
| THIS DRAWING IS A CONTROLLED DOCUMENT. | | DWN Brent D. Yohn 25 JUNE 2004 |  TE Connectivity | |
| DIMENSIONS: IN | | CHK W. H. BERNHART 25 JUNE 2004 | | |
| TOLERANCES UNLESS OTHERWISE SPECIFIED: 0 PLC ± 1 PLC ± 2 PLC ± 3 PLC ± 4 PLC ± ANGLES ± FINISH | | APVD W. H. BERNHART 25 JUNE 2004 | NAME ASSEMBLY, RECEPTACLE, QUADRAx, PWB MOUNT, FR/FR, 12 POSN | |
| MATERIAL | | PRODUCT SPEC | SIZE | RESTRICTED TO |
| | | APPLICATION SPEC | A200779 | |
| | | WEIGHT | C-1604798 | |
| | | CUSTOMER DRAWING | SCALE 2:1 | SHEET 2 OF 2 |

X-ON Electronics

Largest Supplier of Electrical and Electronic Components

Click to view similar products for [Rack & Panel Connectors](#) category:

Click to view products by [TE Connectivity](#) manufacturer:

Other Similar products are found below :

[00170420102](#) [00171420202](#) [00171440002](#) [008026165000265](#) [02-014-013-5200-000](#) [613467-000](#) [CTJ112E01E-513](#) [CTJ116E03A-513](#)
[M81714/63-22S L/C](#) [M81714/65-12-1](#) [66020-2](#) [CW8958-000](#) [699886-000](#) [D250-50632](#) [70.400.3240.0](#) [70.955.2453.3](#) [733753-000](#) [F22831-000](#) [780-522-DPX34RG8-02](#) [MMA25-0341D1](#) [8660-501](#) [87.060.0053.0](#) [900709N001](#) [QRP4-12P-C\(01\)](#) [QR/P6-6S-C\(01\)](#) [1218600-1](#) [D-659-0061](#) [DMC-MD 24 C-T](#) [1-445717-6](#) [1484398-2](#) [1484399-2](#) [1484469-2](#) [MR-34MG](#) [1604997-2](#) [1663130-1](#) [1663767-7](#) [1663767-8](#) [MTC100-BF1-P31CS015](#) [MTC100-KT2-0083](#) [MTC100-KT2-0123-003](#) [MTC100-YA1-005](#) [MTCB1X-105-XXX](#) [MTCQKT1R2PGCA](#) [MTCR-103-04S](#) [MTCX1X-100-100CS025](#) [1738331-1](#) [1757667-1](#) [1883433-1](#) [1996636-1](#) [201784-4](#)