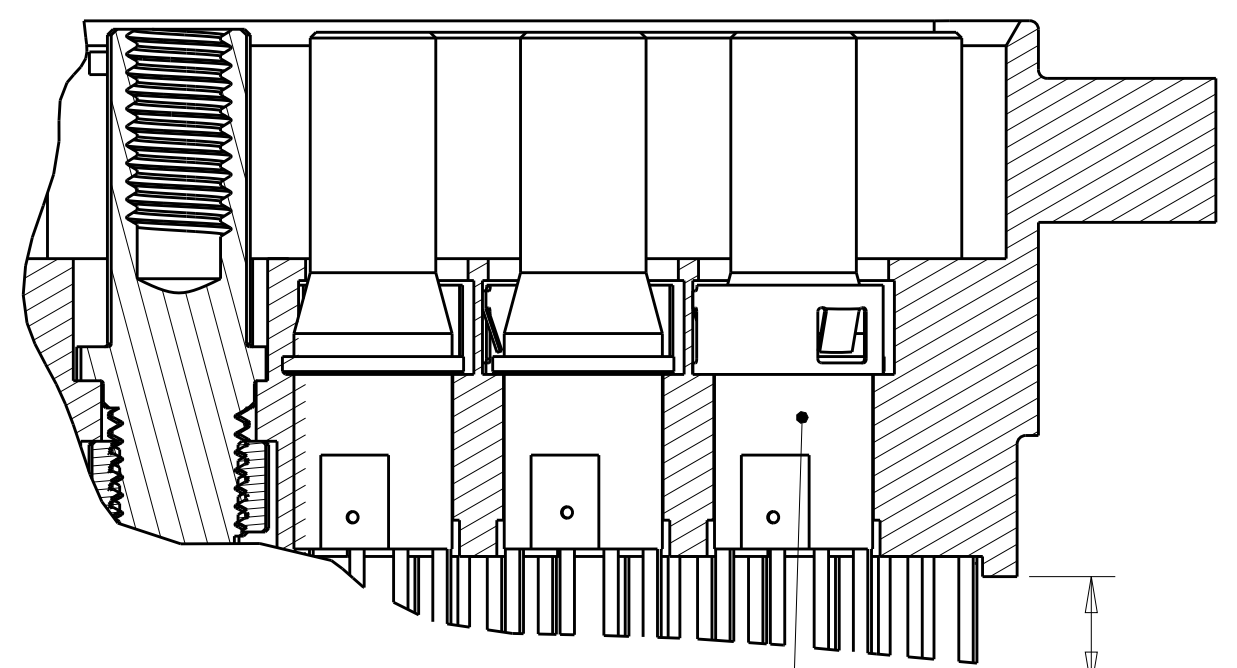
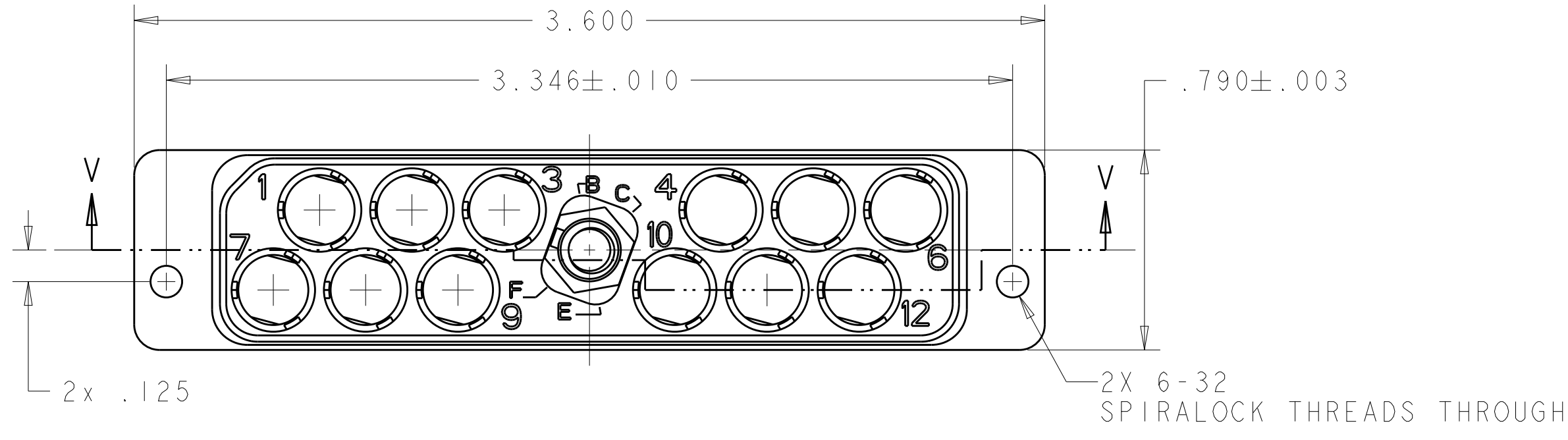
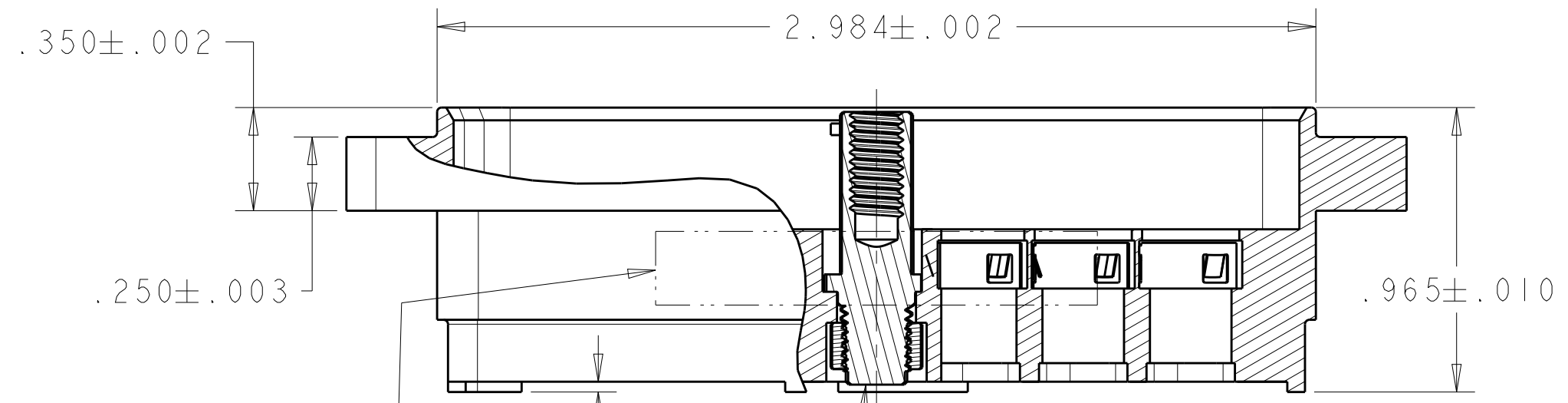


THIS DRAWING IS UNPUBLISHED. RELEASED FOR PUBLICATION 20
 © COPYRIGHT 20 BY - ALL RIGHTS RESERVED.

REVISIONS					
P	LTR	DESCRIPTION	DATE	DWN	APVD
	E	REV PER ECO 17-015222	20OCT2017	CT	OC



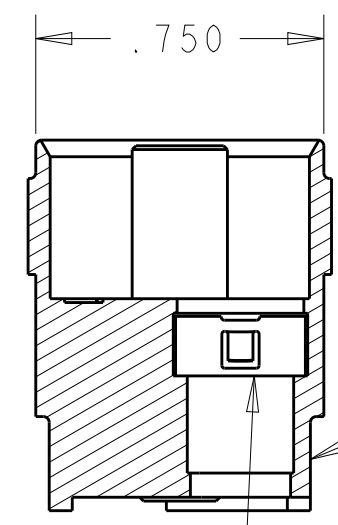
FR/FR QUADRAX PIN ASSY
 12 REQD, NOT INCLUDED,
 MUST BE ORDERED SEPARATELY;
 SEE DRAWING 1445626; VARIOUS
 TAIL LENGTHS ARE AVAILABLE



TE LOGO, TE PART NUMBER,
 AND DATE CODE MARKED
 APPROX AS SHOWN ON
 NEAR OR FAR SIDE

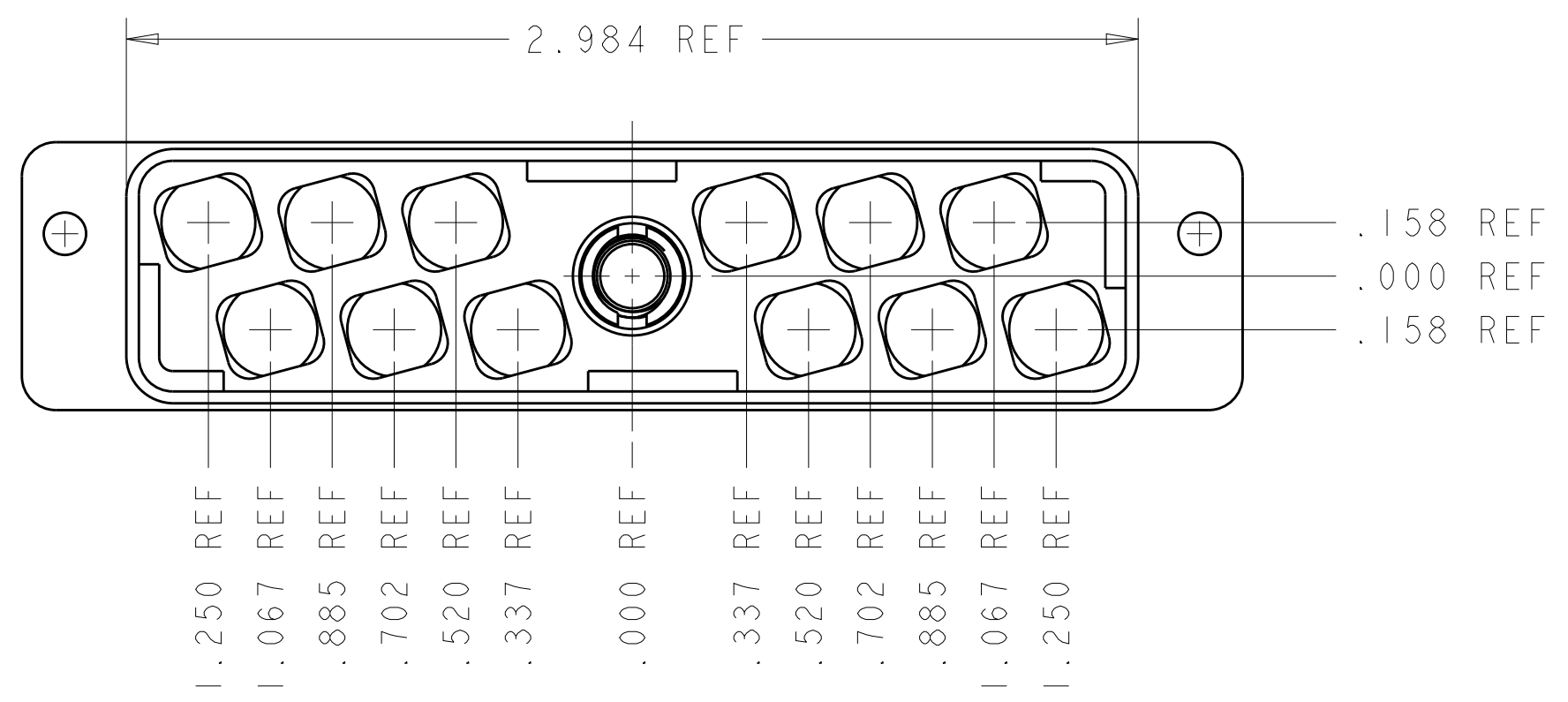
JACK POST ASSY
 SIMILAR TO BACC65AG
 (NOT INCLUDED ON -1)
 FLAT PLZLN W/ 1604798-2

SECTION V-V



RECEPTACLE SHELL
 MATL: ALUMINUM ALLOY
 FINISH: ELECTROLESS
 NICKEL

RETENTION CLIP, 12 REQD
 MATL: STAINLESS STEEL
 FINISH: PLATED SILVER



- 1.250 REF
- 1.067 REF
- .885 REF
- .702 REF
- .520 REF
- .337 REF
- .000 REF
- .337 REF
- .520 REF
- .702 REF
- .885 REF
- 1.067 REF
- 1.250 REF

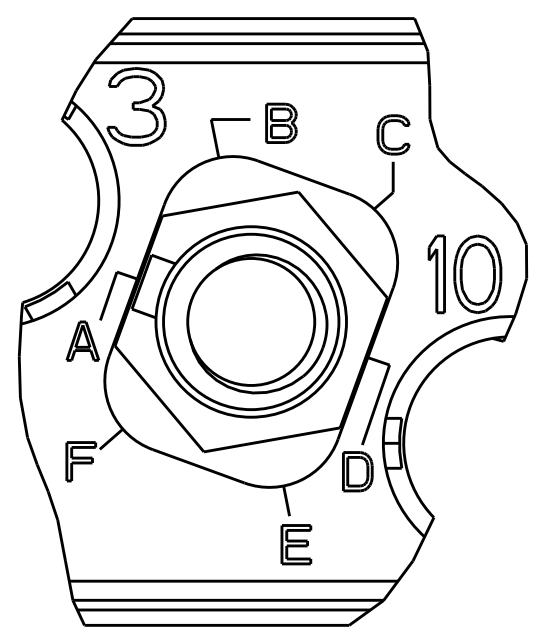
REFERENCE APPLICATION SPEC.
 FOR RECOMMENDED BOARD LAYOUT

D	DUST COVER INCLUDED SEE SHT 2	WITH JACKPOST (FLAT POLARIZATION)	1604798-5
C	DUST COVER INCLUDED SEE SHT 2	WITH JACKPOST (FLAT POLARIZATION)	1604798-4
B	DUST COVER INCLUDED SEE SHT 2	WITH JACKPOST (FLAT POLARIZATION)	1604798-3
A	DUST COVER INCLUDED; SEE SHT 2	WITH JACKPOST (FLAT POLARIZATION)	1604798-2
-	DUST COVER NOT INCLUDED	WITHOUT JACKPOST	1604798-1
JACKPOST POLARIZATION CODE	DUST COVER P/N 1604996-1	DESCRIPTION	PART NO.

THIS DRAWING IS A CONTROLLED DOCUMENT.

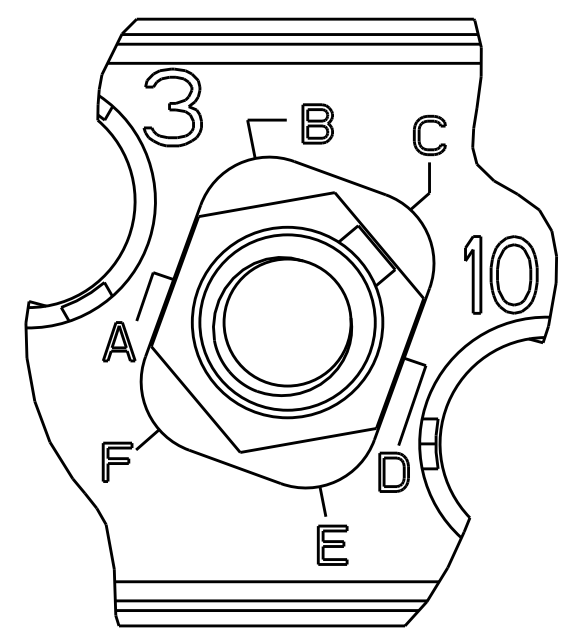
DIMENSIONS: IN	TOLERANCES UNLESS OTHERWISE SPECIFIED: 0 PLC ± 1 PLC ± 2 PLC ± 3 PLC ±.005 4 PLC ± ANGLES ± FINISH	DWN 25 JUNE 2004 Brent D. Yohn CHK 25 JUNE 2004 W. H. BERNHART APVD 25 JUNE 2004 W. H. BERNHART	STE TE Connectivity
MATERIAL: -		PRODUCT SPEC: -	NAME: ASSEMBLY, RECEPTACLE, QUADRAX, PWB MOUNT, FR/FR, 12 POSN
		APPLICATION SPEC: 114-13123	SIZE: A2 CAGE CODE: 200779 DRAWING NO: C-1604798
		WEIGHT: -	RESTRICTED TO: -
		CUSTOMER DRAWING	SCALE: 2:1 SHEET: 1 OF 2 REV: E

REVISIONS				
P	LTR	DESCRIPTION	DATE	APVD
-		SEE SHEET 1	-	-



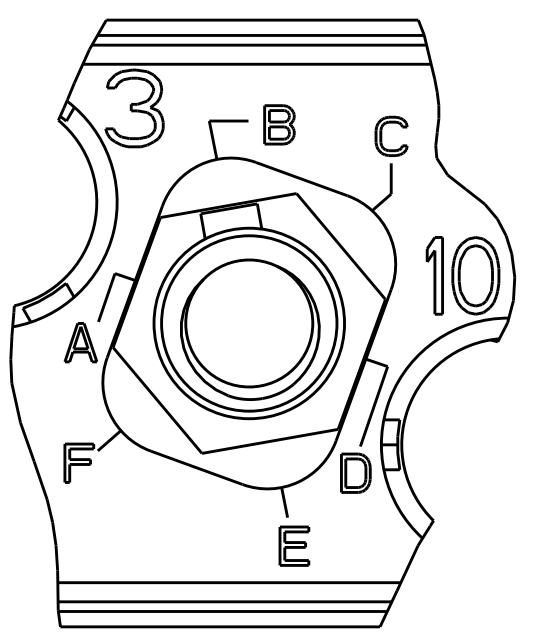
**1604798-2
 PLZN CODE A
 (FLAT PLZN)**

(PLZN CODES, A THRU F,
 SHOWN FOR REF ONLY; MARKING
 ON SHELL WILL ONLY SHOW
 CODES B,C,E AND F)



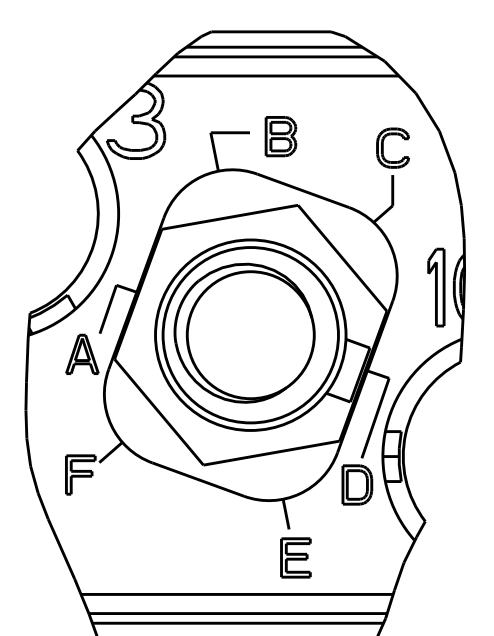
**1604798-4
 PLZN CODE C
 (FLAT PLZN)**

(PLZN CODES, A THRU F,
 SHOWN FOR REF ONLY; MARKING
 ON SHELL WILL ONLY SHOW
 CODES B,C,E AND F)



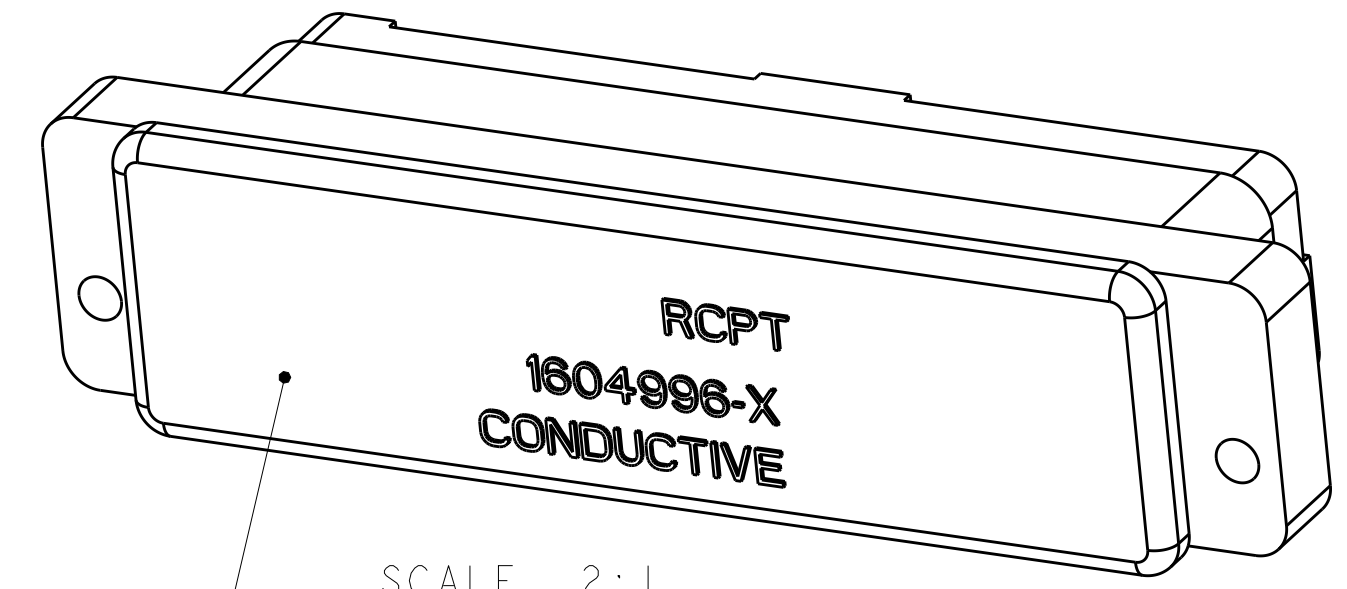
**1604798-3
 PLZN CODE B
 (FLAT PLZN)**

(PLZN CODES, A THRU F,
 SHOWN FOR REF ONLY; MARKING
 ON SHELL WILL ONLY SHOW
 CODES B,C,E AND F)



**1604798-5
 PLZN CODE D
 (FLAT PLZN)**


(PLZN CODES, A THRU F,
 SHOWN FOR REF ONLY; MARKING
 ON SHELL WILL ONLY SHOW
 CODES B,C,E AND F)



SCALE 2:1

ESD DUST COVER; PART NUMBER 1604996-1
 INCLUDED WITH ASSY PART NUMBER
 1604798-2, -3 AND -4

SHOWN WITH DUST COVER

THIS DRAWING IS A CONTROLLED DOCUMENT.		DWN Brent D. Yohn 25 JUNE 2004	 TE Connectivity	
DIMENSIONS: IN		CHK W.H. BERNHART 25 JUNE 2004		
TOLERANCES UNLESS OTHERWISE SPECIFIED: 0 PLC ± 1 PLC ± 2 PLC ± 3 PLC ± 4 PLC ± ANGLES ± FINISH		APVD W.H. BERNHART 25 JUNE 2004	NAME ASSEMBLY, RECEPTACLE, QUADRIX, PWB MOUNT, FR/FR, 12 POSN	
MATERIAL -		PRODUCT SPEC -	APPLICATION SPEC -	RESTRICTED TO -
		WEIGHT -	SIZE A200779	CAGE CODE C-1604798
		CUSTOMER DRAWING	SCALE 2:1	SHEET 2 OF 2 REV E

X-ON Electronics

Largest Supplier of Electrical and Electronic Components

Click to view similar products for [Rack & Panel Connectors](#) category:

Click to view products by [TE Connectivity](#) manufacturer:

Other Similar products are found below :

[00171410002](#) [00171420202](#) [00171440002](#) [02-014-013-5200-000](#) [613467-000](#) [CTJ112E01E-513](#) [CTJ116E03A-513](#) [66020-2](#) [CW8958-000](#)
[699886-000](#) [D250-50632](#) [70.400.3240.0](#) [70.955.2453.3](#) [733753-000](#) [F22831-000](#) [780-522-DPX34RG8-02](#) [8660-501](#) [87.060.0053.0](#)
[900709N001](#) [928358-1](#) [D-659-0061](#) [1-445717-6](#) [1484469-2](#) [1604997-2](#) [MTC100-BF1-P31CS015](#) [MTC100-KT2-0083](#) [MTC100-KT2-0123-](#)
[003](#) [MTC100-YA1-005](#) [MTCPQKT1R2PGCA](#) [MTCR-103-04S](#) [MTCX1X-100-100CS025](#) [1738331-1](#) [1757667-1](#) [1811481-1](#) [1883433-1](#)
[201046-7](#) [202648-4](#) [213364-1](#) [226503-000](#) [937028-164](#) [1663130-2](#) [172305-4](#) [F36711-000](#) [202355-2](#) [202356-2](#) [G16S-A](#) [G20S-AB](#) [CHA-](#)
[0017-003](#) [CHA-0296](#) [354654-000](#)