

REVISIONS				
P.	LTN	DESCRIPTION	DATE	APVD
J		REV PER ECO 20-008596	1-8-21	CT DM

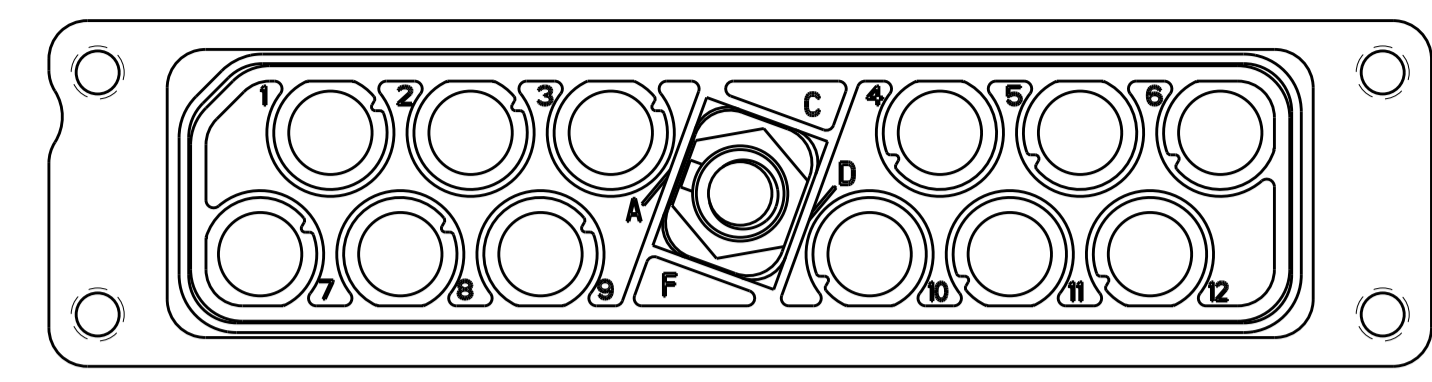


FIGURE 1
1604799-9 SHOWN
KEYED IN "A" POSITION

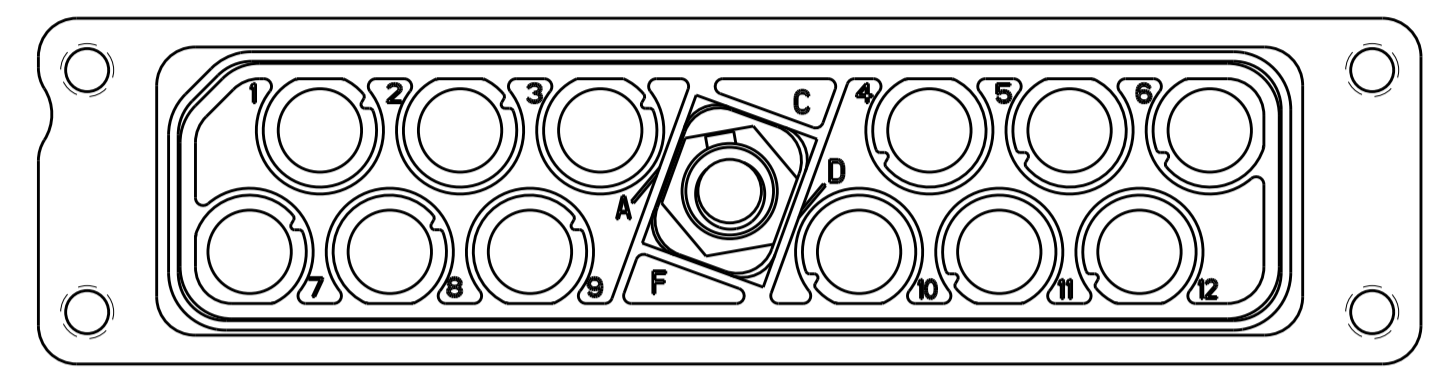


FIGURE 2
1-1604799-0 SHOWN
KEYED IN "B" POSITION

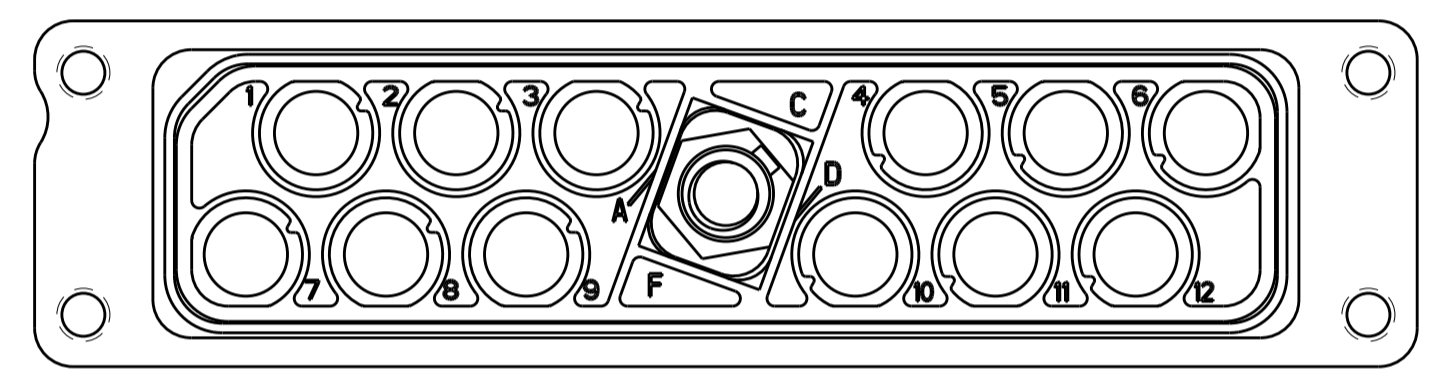


FIGURE 3
1-1604799-1 SHOWN
KEYED IN "C" POSITION

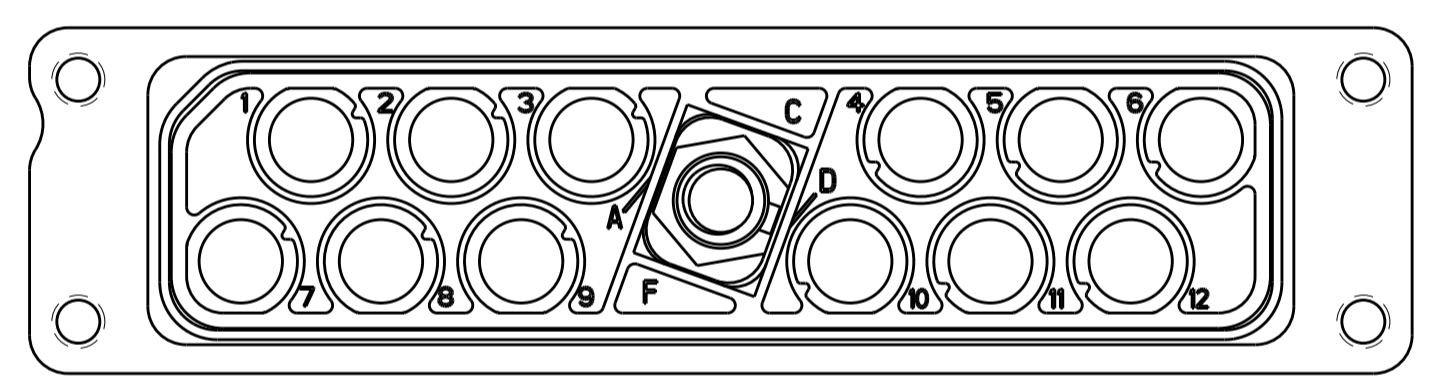


FIGURE 4
1-1604799-2 SHOWN
KEYED IN "D" POSITION

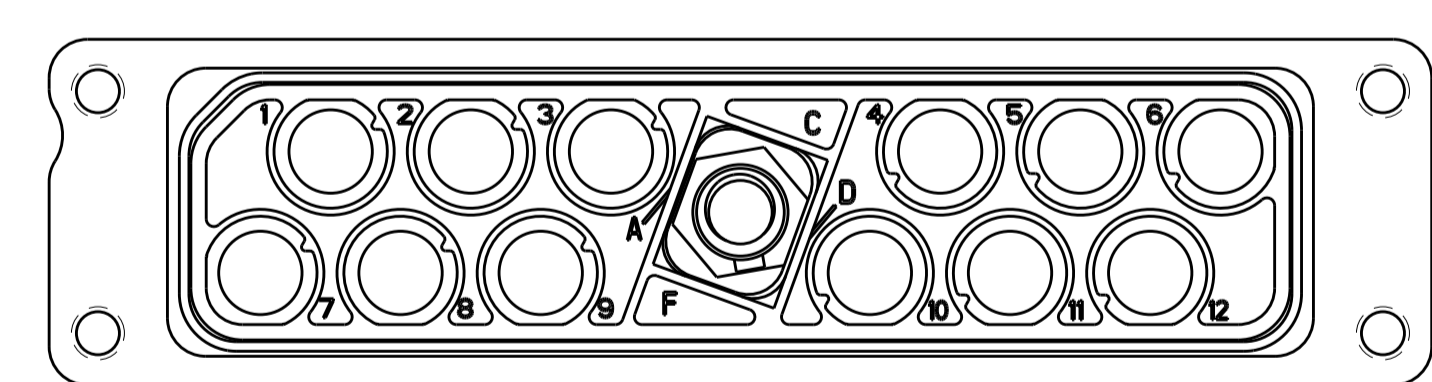


FIGURE 5
1-1604799-3 SHOWN
KEYED IN "E" POSITION

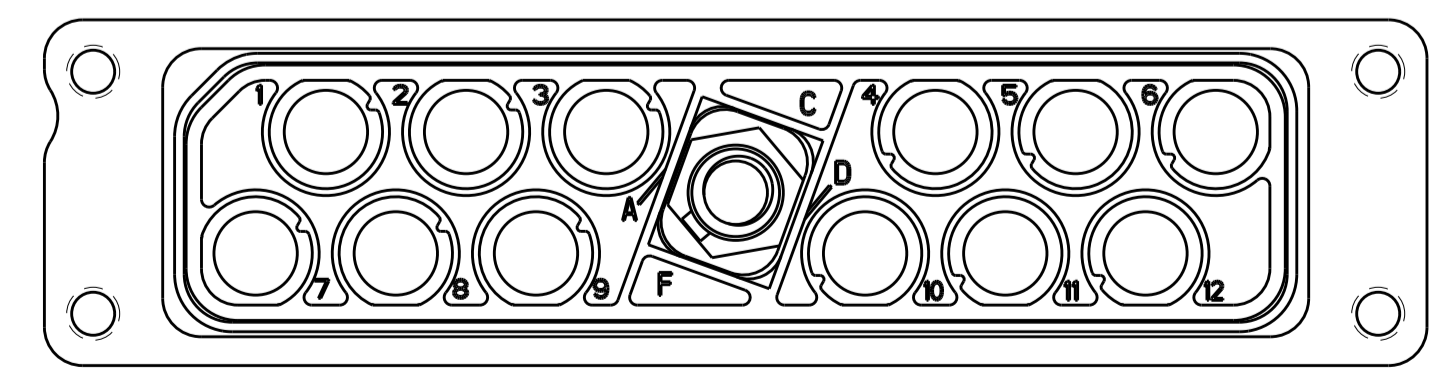


FIGURE 6
1-1604799-4 SHOWN
KEYED IN "F" POSITION

- ⚠ TE LOGO, DATE CODE AND TE OR CUSTOMER PART NUMBER (SEE TABLE) MARKED APPROX AS SHOWN ON EITHER SIDE.
- ⚠ JACKPOST KIT IS SHIPPED UNASSEMBLED. KIT IS PACKAGED IN A SEALED BAG.

SUPERSEDED BY 1604799-5

OBSOLETE

REMARKS	HOUSING FINISH	RECOMMENDED CONTACT WITH WIRE SEAL (NOT INCLUDED)	CUSTOMER PART NUMBER	DESCRIPTION	TE PART NO
SEE FIGURE 6	ELECTROLESS NICKEL	1445692-4	BACC65BD12NF	JACKPOST ASSEMBLED POLARIZATION CODE "F"	1-1604799-4
SEE FIGURE 5	ELECTROLESS NICKEL	1445692-4	BACC65BD12NE	JACKPOST ASSEMBLED POLARIZATION CODE "E"	1-1604799-3
SEE FIGURE 4	ELECTROLESS NICKEL	1445692-4	BACC65BD12ND	JACKPOST ASSEMBLED POLARIZATION CODE "D"	1-1604799-2
SEE FIGURE 3	ELECTROLESS NICKEL	1445692-4	BACC65BD12NC	JACKPOST ASSEMBLED POLARIZATION CODE "C"	1-1604799-1
SEE FIGURE 2	ELECTROLESS NICKEL	1445692-4	BACC65BD12NB	JACKPOST ASSEMBLED POLARIZATION CODE "B"	1-1604799-0
SEE FIGURE 1	ELECTROLESS NICKEL	1445692-4	BACC65BD12NA	JACKPOST ASSEMBLED POLARIZATION CODE "A"	1604799-9
⚠	ELECTROLESS NICKEL	1445692-4	BACC65BD12N	WITH JACKPOST KIT (FLAT POLARIZATION) (NOT INSTALLED)	1604799-8
⚠	ELECTROLESS NICKEL	1445692-3	---	WITH JACKPOST KIT (FLAT POLARIZATION) (NOT INSTALLED)	1604799-7
⚠	ELECTROLESS NICKEL	1445692-3	---	WITH JACKPOST KIT (FLAT POLARIZATION) (NOT INSTALLED)	1604799-5
⚠	BLACK ANODIZED	1445692-4	BACC65BD12A	WITH JACKPOST KIT (FLAT POLARIZATION) (NOT INSTALLED)	1604799-4

THIS DRAWING IS A CONTROLLED DOCUMENT. DWN: C.C. THOMAS 29NOV2010, CHK: D. MILLER 29NOV2010, APVD: D. MILLER 29NOV2010

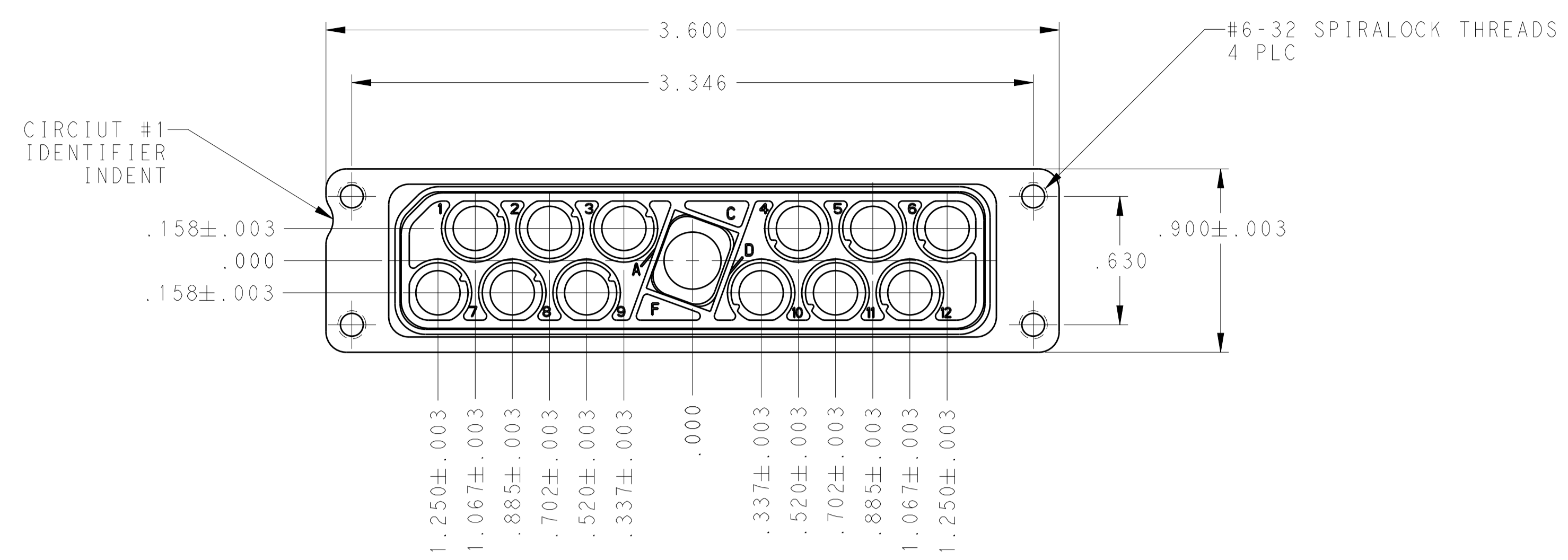
TE TE Connectivity

NAME: RECEPTACLE ASSY, QUADRAX, PANEL MOUNT RR/RR, 12 POSITION

SIZE: A1, CAGE CODE: 100779, DRAWING NO: 1604799

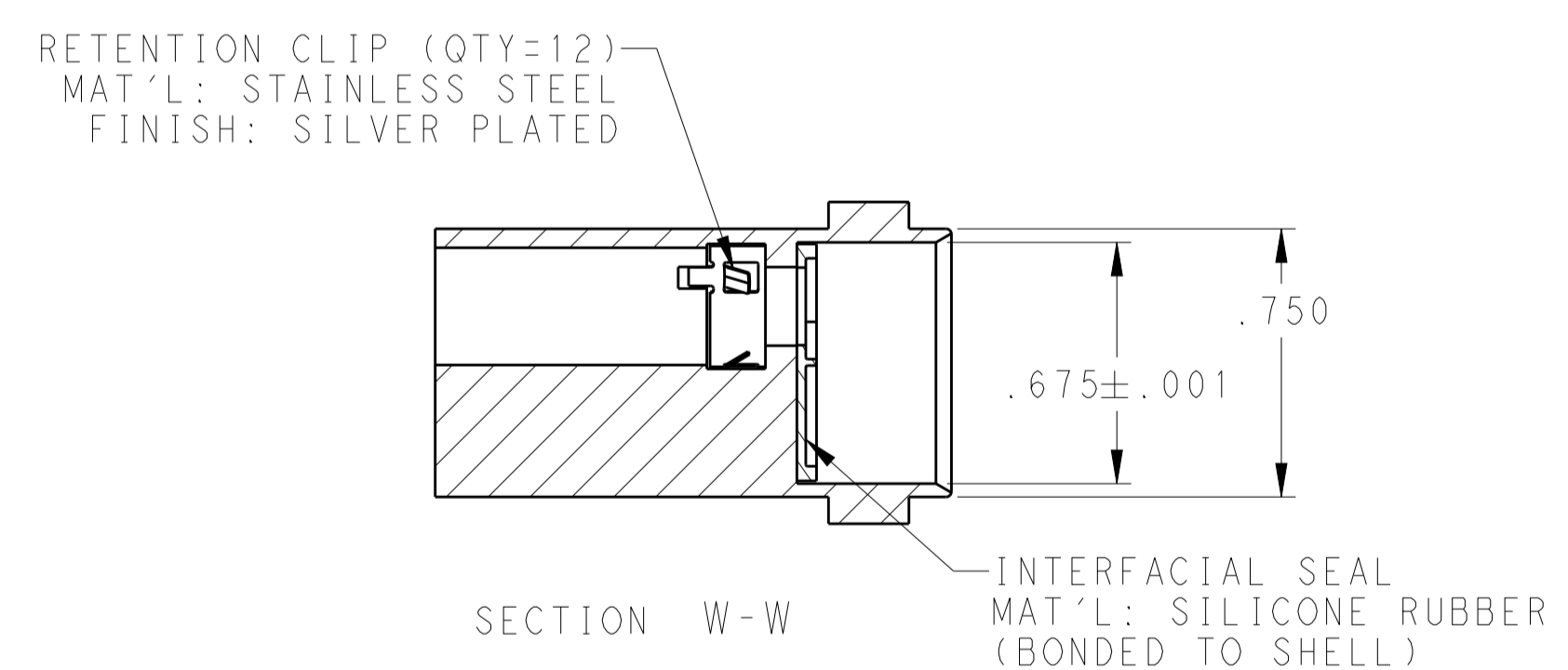
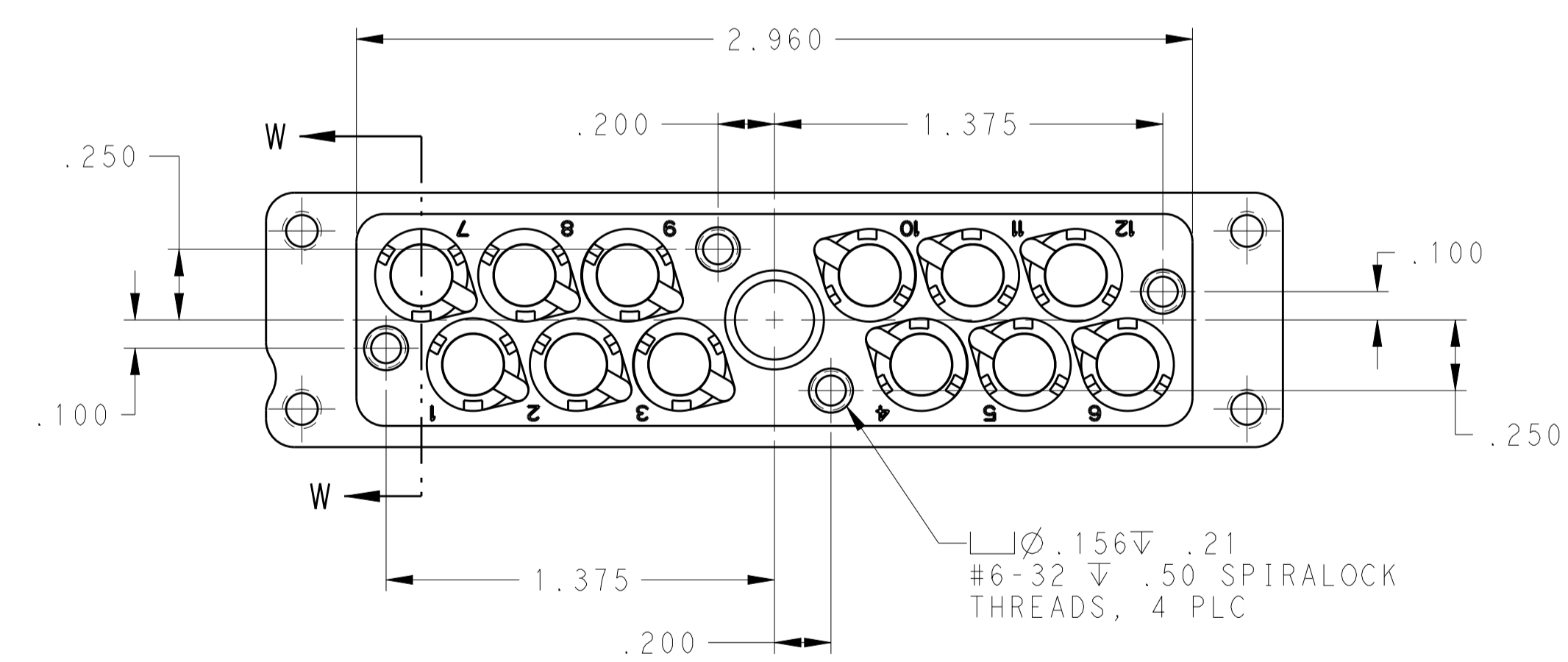
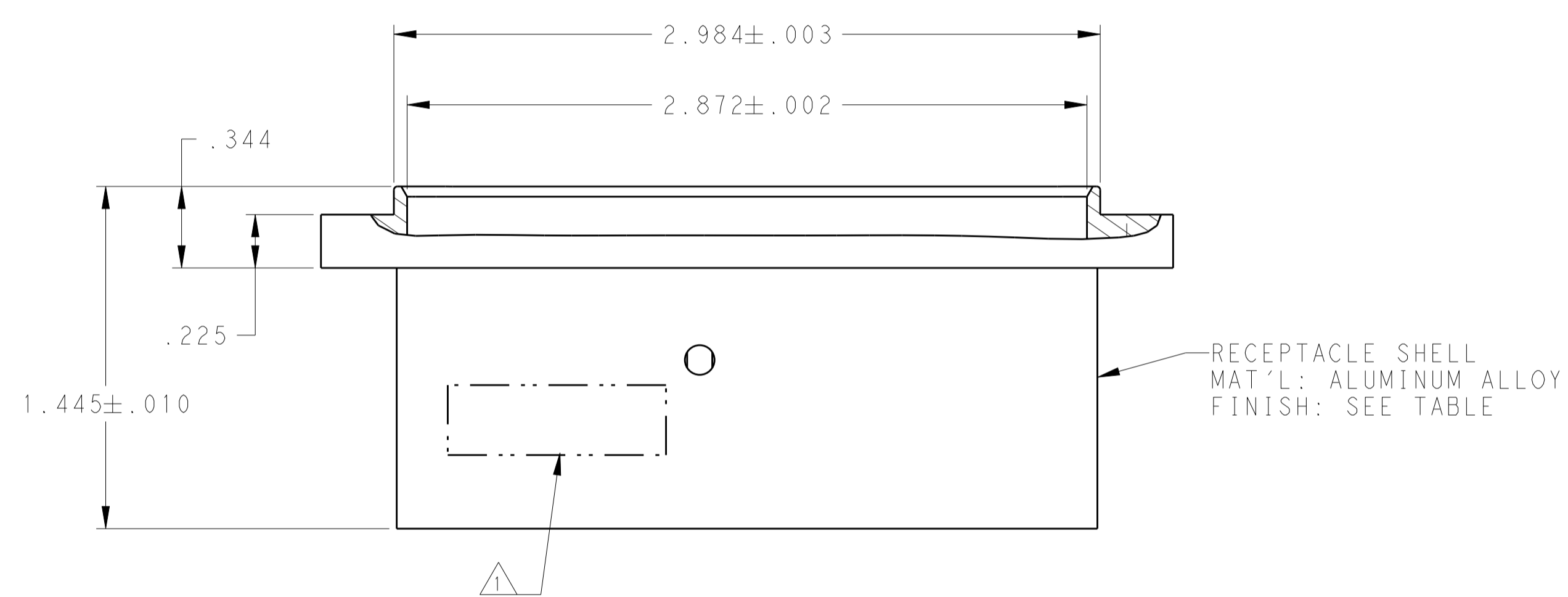
SCALE: 2:1, SHEET 1 OF 2, REV J

REVISIONS				
P.	LTN.	DESCRIPTION	DATE	APVD.
-	-	SEE SHEET #1	-	-



**RCPT
 1604996-X
 CONDUCTIVE**

DUST COVER
 (INSTALLED FOR SHIPPING)



THIS DRAWING IS A CONTROLLED DOCUMENT.		DWN: C.C. THOMAS 29NOV2010	STE TE Connectivity
DIMENSIONS: INCHES		CHK: D. MILLER 29NOV2010	
TOLERANCES UNLESS OTHERWISE SPECIFIED:		APVD: D. MILLER 29NOV2010	NAME: RECEPTACLE ASSY, QUADRAX, PANEL MOUNT RR/RR, 12 POSITION
0 PLC ±	1 PLC ±	PRODUCT SPEC	SIZE: CAGE CODE DRAWING NO
2 PLC ±	3 PLC ±.005	APPLICATION SPEC	RESTRICTED TO
4 PLC ±	ANGLES ±	WEIGHT	A100779C=1604799
MATERIAL: SEE CALLOUTS	FINISH: SEE CALLOUTS	CUSTOMER DRAWING	SCALE: 2:1 SHEET 2 OF 2 REV J

X-ON Electronics

Largest Supplier of Electrical and Electronic Components

Click to view similar products for [Pin & Socket Connectors](#) category:

Click to view products by [TE Connectivity](#) manufacturer:

Other Similar products are found below :

[6450822-1](#) [770392-1](#) [794042-1](#) [796885-1](#) [8-794535-1](#) [881459-2](#) [R929993003](#) [1-350779-3](#) [1403611-1](#) [1-480349-5](#) [1586092-1](#) [1586129-1](#)
[1586487-1](#) [1586681-4](#) [1586700-1](#) [1586065-1](#) [1586077-1](#) [1586368-1](#) [1586380-1](#) [1586680-5](#) [1586681-2](#) [1604996-1](#) [16-06-0038](#) [164164-5](#) [1-](#)
[6609930-1](#) [172296-1](#) [1-794714-6](#) [19-09-2035](#) [1969804-1](#) [200503-1](#) [200788-2](#) [201046-7](#) [202648-4](#) [2029076-2](#) [2029090-4](#) [2029095-4](#) [2-](#)
[66102-6](#) [925061-7](#) [926681-1](#) [293734-4](#) [293737-2](#) [1-765362-4](#) [1-794606-3](#) [1871534-1](#) [1969795-1](#) [1969798-1](#) [1969800-1](#) [200833-4](#)
[2008625-2](#) [2029027-2](#)