

REVISIONS				
P.	LTN	DESCRIPTION	DATE	APVD
J		REV PER ECO 20-008596	1-8-21	CT DM

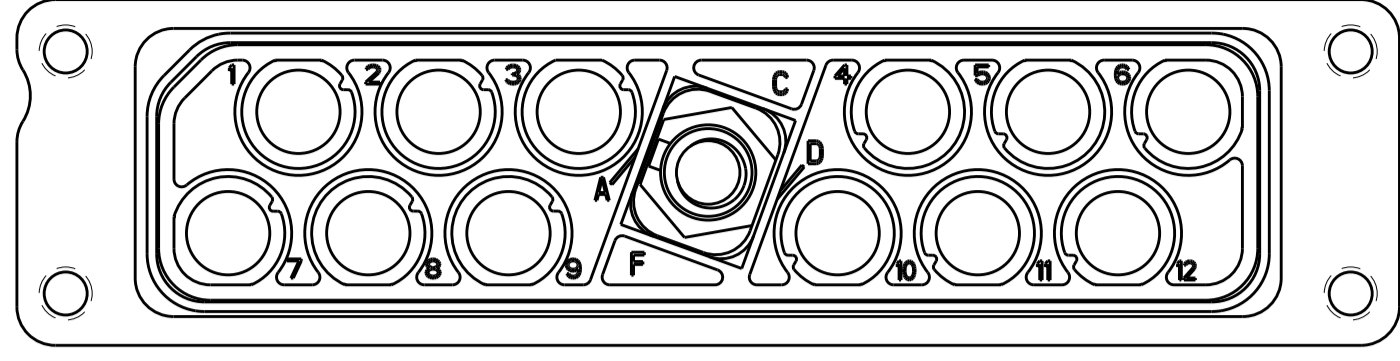


FIGURE 1
1604799-9 SHOWN
KEYED IN "A" POSITION

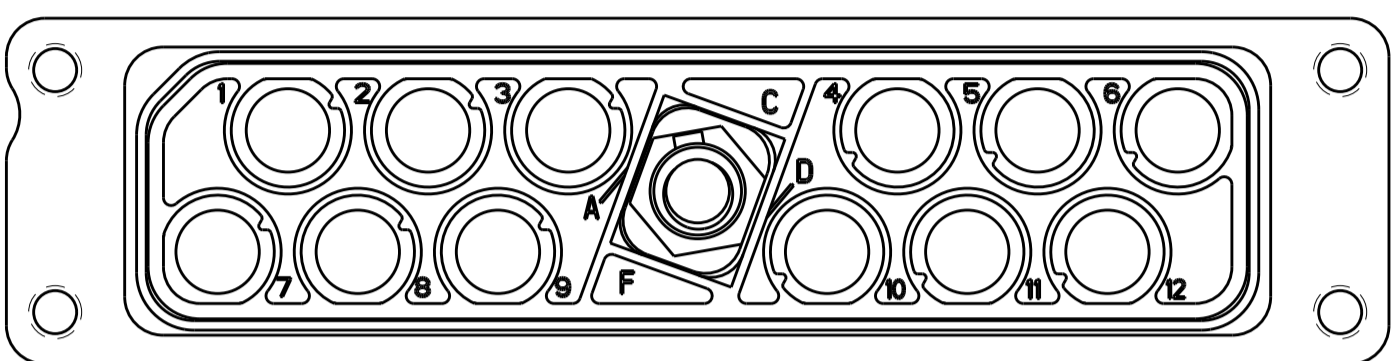


FIGURE 2
1-1604799-0 SHOWN
KEYED IN "B" POSITION

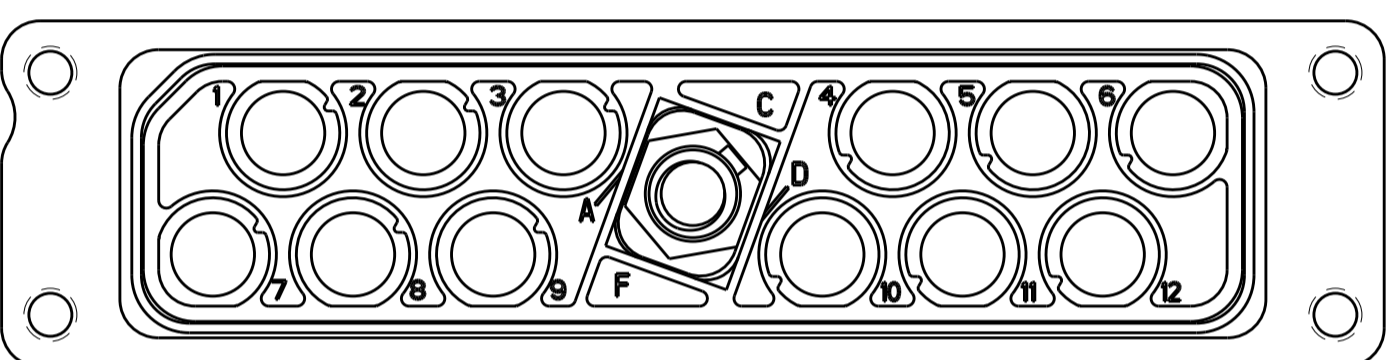


FIGURE 3
1-1604799-1 SHOWN
KEYED IN "C" POSITION

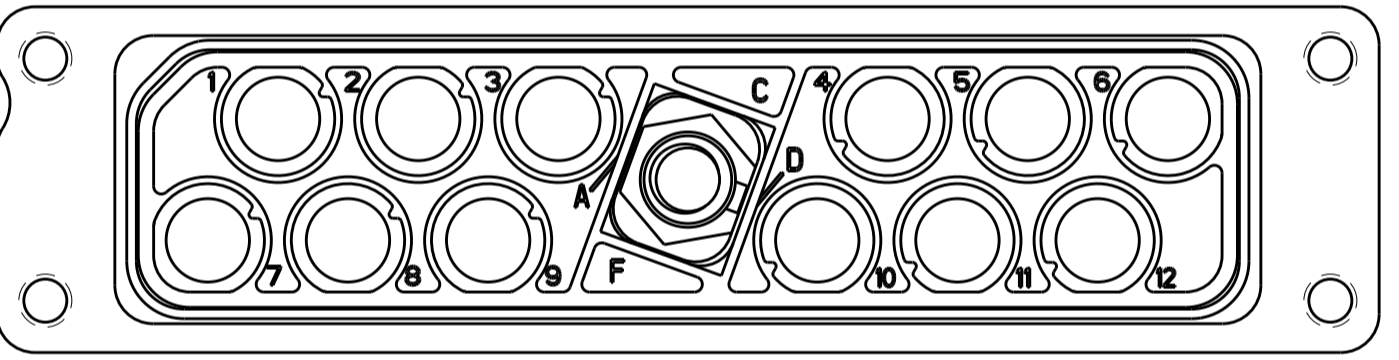


FIGURE 4
1-1604799-2 SHOWN
KEYED IN "D" POSITION

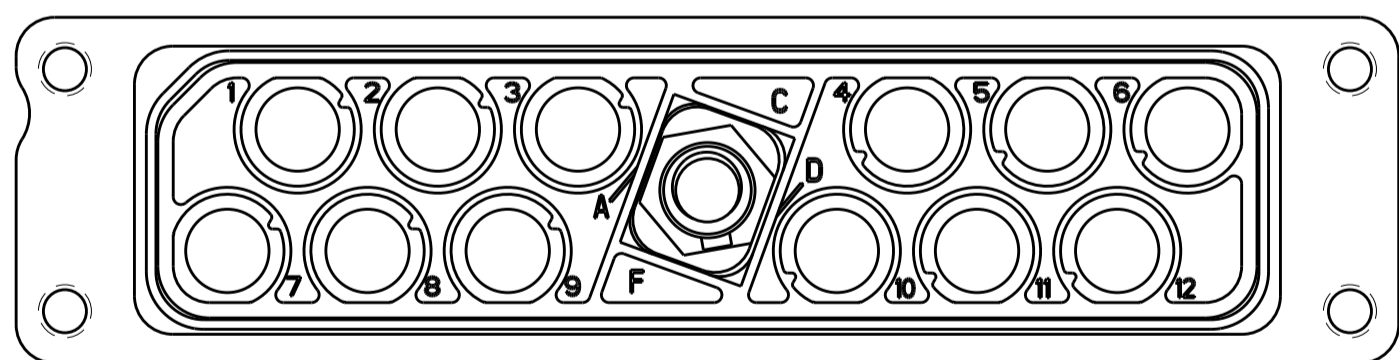


FIGURE 5
1-1604799-3 SHOWN
KEYED IN "E" POSITION

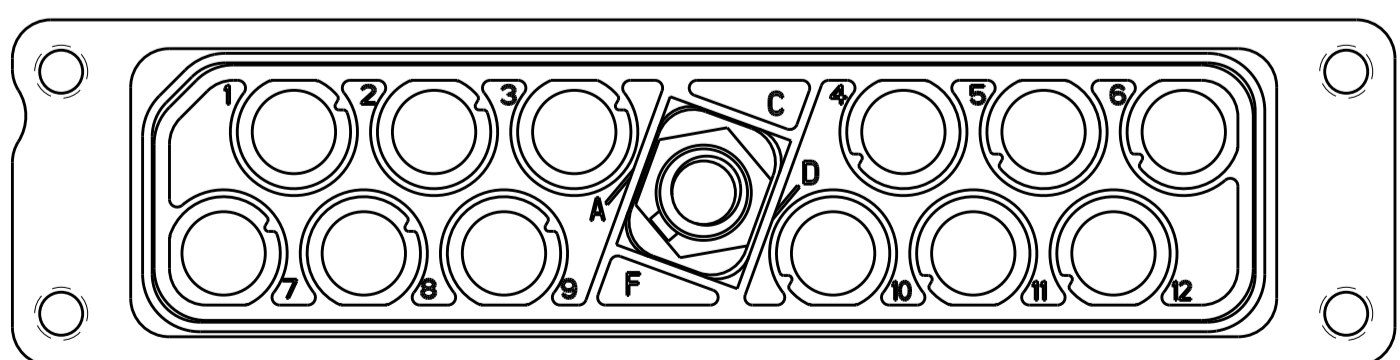


FIGURE 6
1-1604799-4 SHOWN
KEYED IN "F" POSITION

- ⚠ TE LOGO, DATE CODE AND TE OR CUSTOMER PART NUMBER (SEE TABLE) MARKED APPROX AS SHOWN ON EITHER SIDE.
- ⚠ JACKPOST KIT IS SHIPPED UNASSEMBLED. KIT IS PACKAGED IN A SEALED BAG.

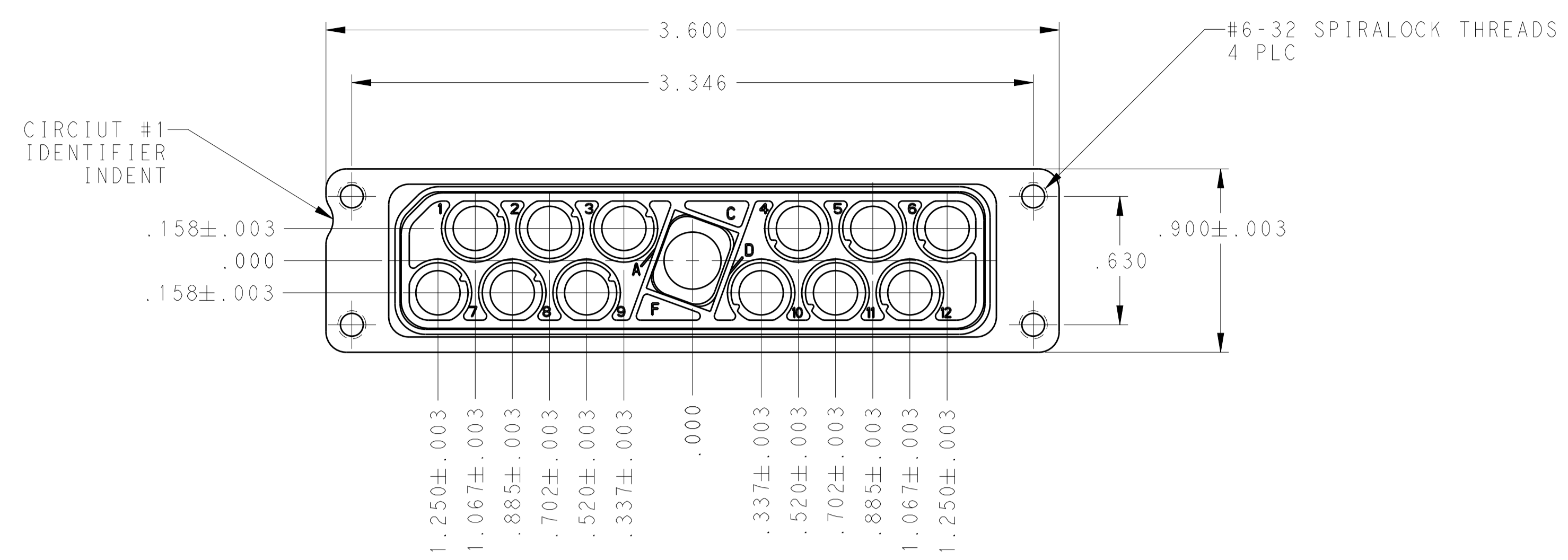
SUPERSEDED BY 1604799-5

OBSOLETE

REMARKS	HOUSING FINISH	RECOMMENDED CONTACT WITH WIRE SEAL (NOT INCLUDED)	CUSTOMER PART NUMBER	DESCRIPTION	TE PART NO
SEE FIGURE 6	ELECTROLESS NICKEL	1445692-4	BACC65BD12NF	JACKPOST ASSEMBLED POLARIZATION CODE "F"	1-1604799-4
SEE FIGURE 5	ELECTROLESS NICKEL	1445692-4	BACC65BD12NE	JACKPOST ASSEMBLED POLARIZATION CODE "E"	1-1604799-3
SEE FIGURE 4	ELECTROLESS NICKEL	1445692-4	BACC65BD12ND	JACKPOST ASSEMBLED POLARIZATION CODE "D"	1-1604799-2
SEE FIGURE 3	ELECTROLESS NICKEL	1445692-4	BACC65BD12NC	JACKPOST ASSEMBLED POLARIZATION CODE "C"	1-1604799-1
SEE FIGURE 2	ELECTROLESS NICKEL	1445692-4	BACC65BD12NB	JACKPOST ASSEMBLED POLARIZATION CODE "B"	1-1604799-0
SEE FIGURE 1	ELECTROLESS NICKEL	1445692-4	BACC65BD12NA	JACKPOST ASSEMBLED POLARIZATION CODE "A"	1604799-9
⚠	ELECTROLESS NICKEL	1445692-4	BACC65BD12N	WITH JACKPOST KIT (FLAT POLARIZATION) (NOT INSTALLED)	1604799-8
⚠	ELECTROLESS NICKEL	1445692-3	---	WITH JACKPOST KIT (FLAT POLARIZATION) (NOT INSTALLED)	1604799-7
⚠	ELECTROLESS NICKEL	1445692-3	---	WITH JACKPOST KIT (FLAT POLARIZATION) (NOT INSTALLED)	1604799-5
⚠	BLACK ANODIZED	1445692-4	BACC65BD12A	WITH JACKPOST KIT (FLAT POLARIZATION) (NOT INSTALLED)	1604799-4

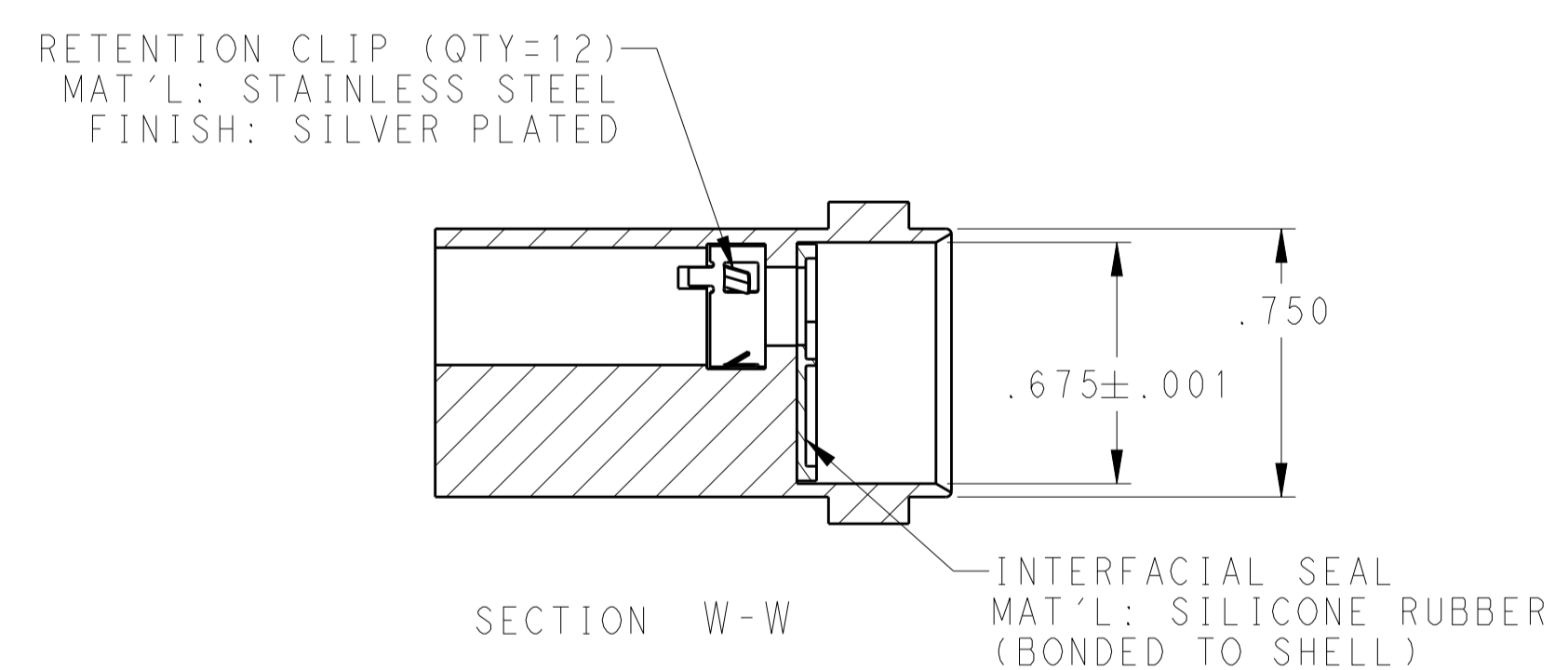
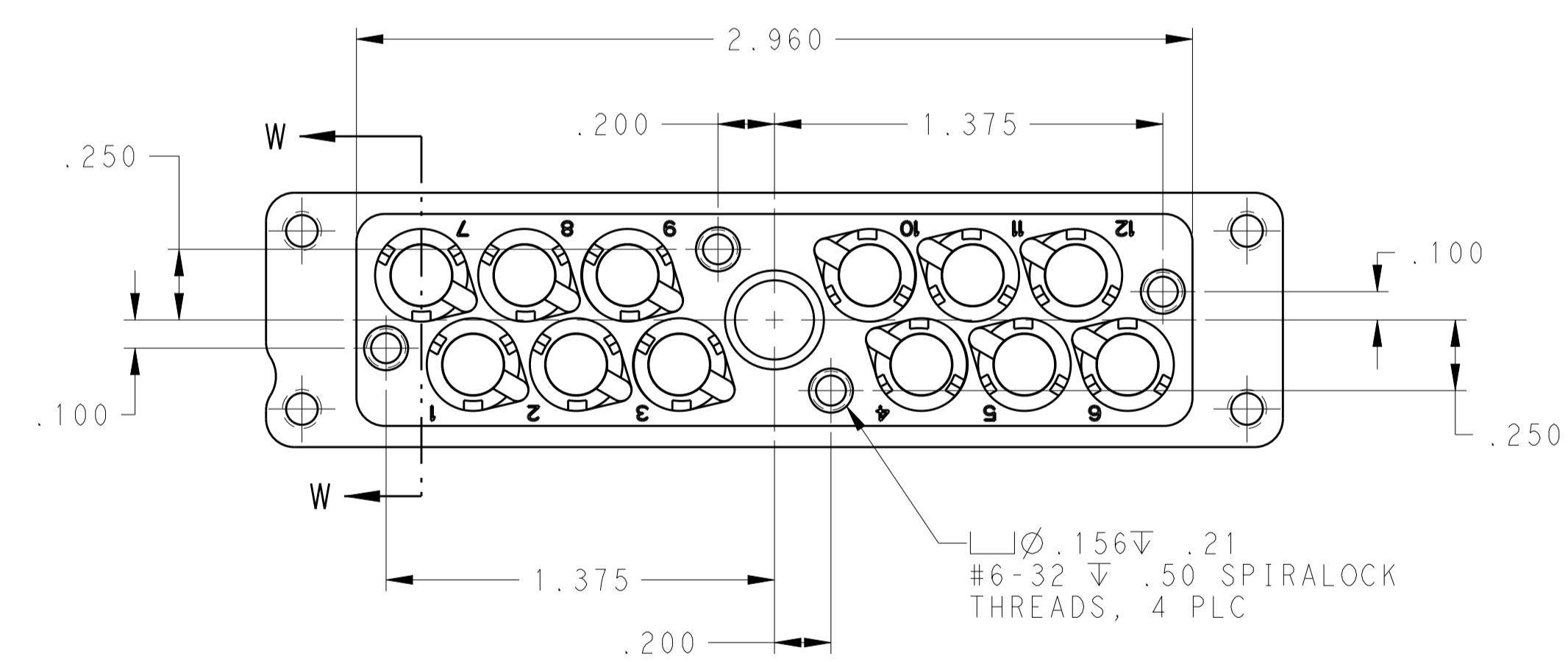
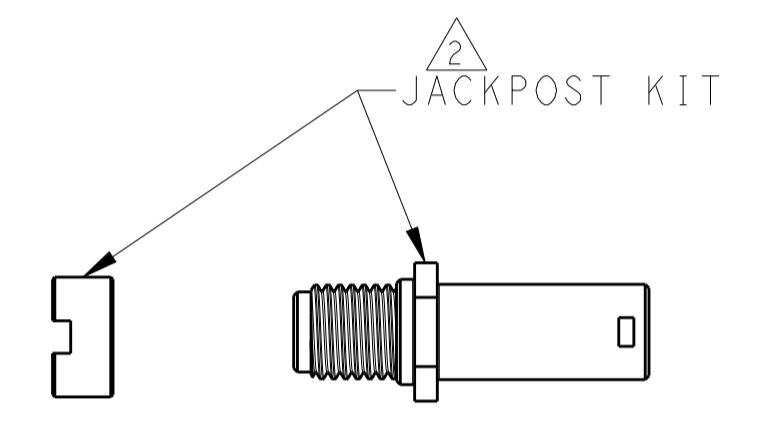
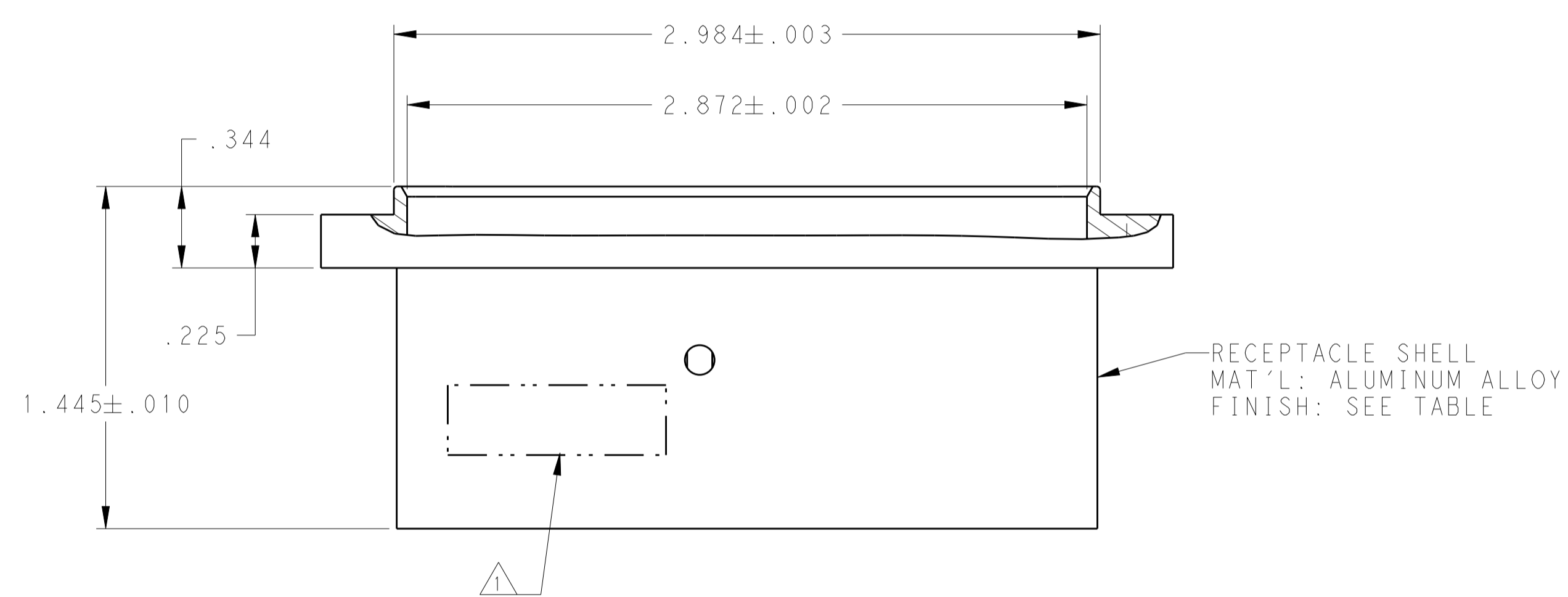
THIS DRAWING IS A CONTROLLED DOCUMENT.		OWN: C.C. THOMAS 29NOV2010	
DIMENSIONS: INCHES		CHK: D. MILLER 29NOV2010	
TOLERANCES UNLESS OTHERWISE SPECIFIED:		APVD: D. MILLER 29NOV2010	NAME: RECEPTACLE ASSY, QUADRAX, PANEL MOUNT RR/RR, 12 POSITION
0 PLC ±	1 PLC ±	PRODUCT SPEC	SIZE: CAGE CODE DRAWING NO
2 PLC ±	3 PLC ±	APPLICATION SPEC	RESTRICTED TO
4 PLC ±.005	ANGLES ±	WEIGHT	A100779C=1604799
MATERIAL: SEE CALLOUTS	FINISH: SEE CALLOUTS	CUSTOMER DRAWING	SCALE: 2:1 SHEET 1 OF 2 REV J

REVISIONS				
P.	LTN.	DESCRIPTION	DATE	APVD.
-	-	SEE SHEET #1	-	-



**RCPT
1604996-X
CONDUCTIVE**

DUST COVER
(INSTALLED FOR SHIPPING)



THIS DRAWING IS A CONTROLLED DOCUMENT.		DWN: C.C. THOMAS 29NOV2010	TE Connectivity
DIMENSIONS: INCHES		CHK: D. MILLER 29NOV2010	
TOLERANCES UNLESS OTHERWISE SPECIFIED:		APVD: D. MILLER 29NOV2010	NAME: RECEPTACLE ASSY, QUADRAX, PANEL MOUNT RR/RR, 12 POSITION
0 PLC ±.005	1 PLC ±.005	PRODUCT SPEC	APPLICATION SPEC
2 PLC ±.005	3 PLC ±.005	APPLIC. SPEC	RESTRICTED TO
4 PLC ±.005	ANGLES ±.005	WEIGHT	SIZE: A100779 C=1604799
MATERIAL: SEE CALLOUTS	FINISH: SEE CALLOUTS	CUSTOMER DRAWING	SCALE: 2:1 SHEET 2 OF 2 REV J

X-ON Electronics

Largest Supplier of Electrical and Electronic Components

Click to view similar products for [Rack & Panel Connectors](#) category:

Click to view products by [TE Connectivity](#) manufacturer:

Other Similar products are found below :

[00171410002](#) [00171420202](#) [00171440002](#) [02-014-013-5200-000](#) [613467-000](#) [CTJ112E01E-513](#) [CTJ116E03A-513](#) [66020-2](#) [CW8958-000](#)
[699886-000](#) [D250-50632](#) [70.400.3240.0](#) [70.955.2453.3](#) [733753-000](#) [F22831-000](#) [780-522-DPX34RG8-02](#) [8660-501](#) [87.060.0053.0](#)
[900709N001](#) [928358-1](#) [D-659-0061](#) [1-445717-6](#) [1484469-2](#) [1604997-2](#) [MTC100-BF1-P31CS015](#) [MTC100-KT2-0083](#) [MTC100-KT2-0123-](#)
[003](#) [MTC100-YA1-005](#) [MTCQKT1R2PGCA](#) [MTCR-103-04S](#) [MTCX1X-100-100CS025](#) [1738331-1](#) [1757667-1](#) [1811481-1](#) [1883433-1](#)
[201046-7](#) [202648-4](#) [213364-1](#) [226503-000](#) [937028-164](#) [1663130-2](#) [172305-4](#) [F36711-000](#) [202355-2](#) [202356-2](#) [G16S-A](#) [G20S-AB](#) [CHA-](#)
[0017-003](#) [CHA-0296](#) [354654-000](#)