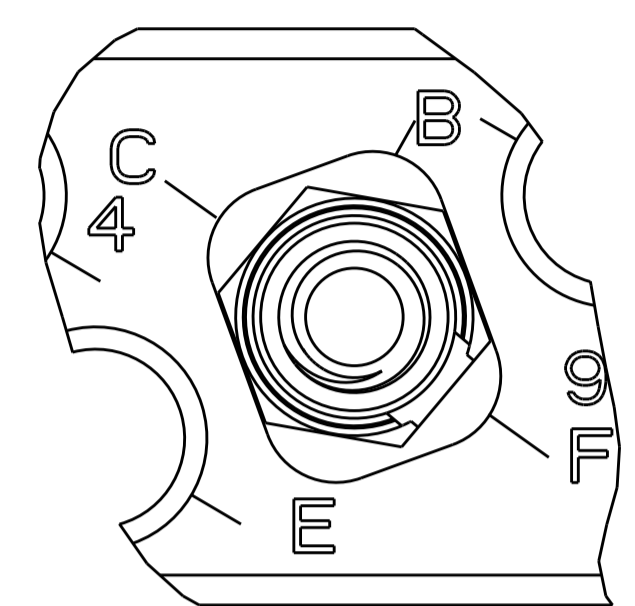
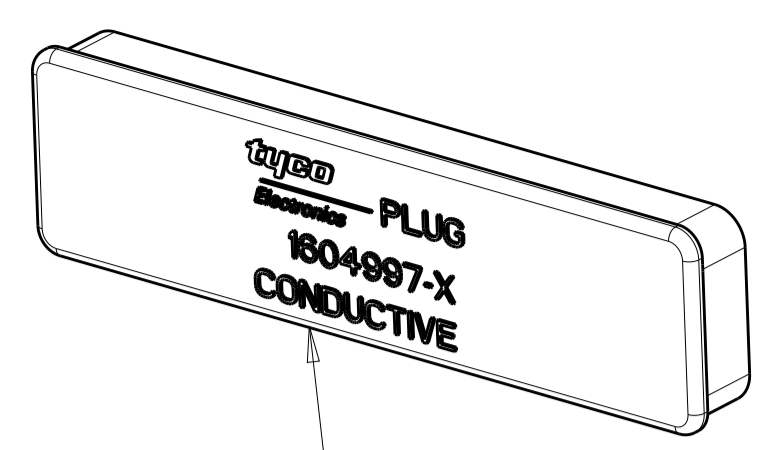
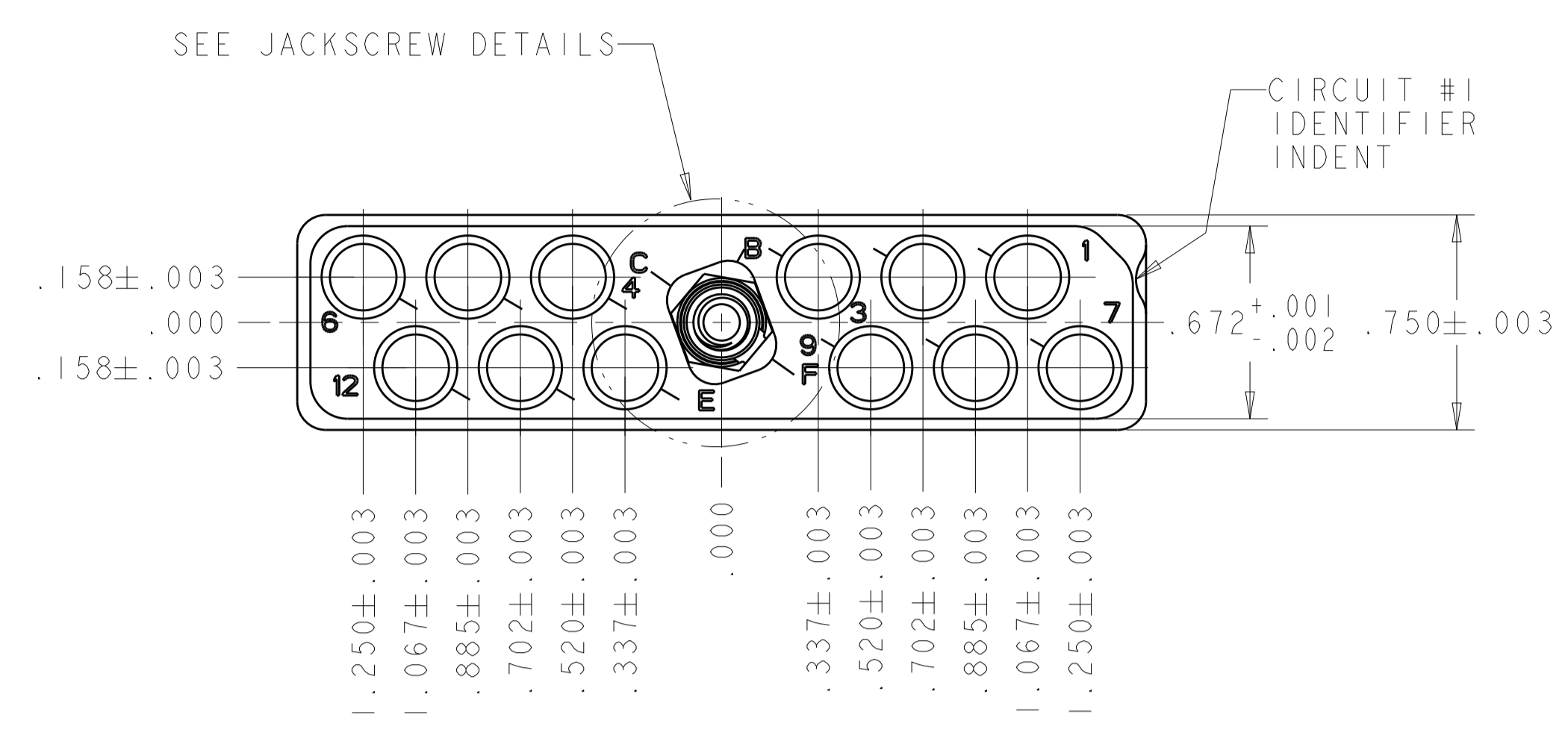
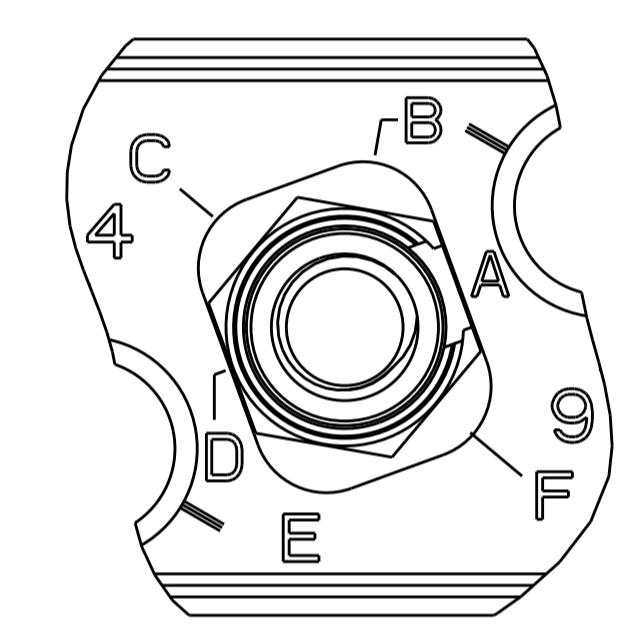
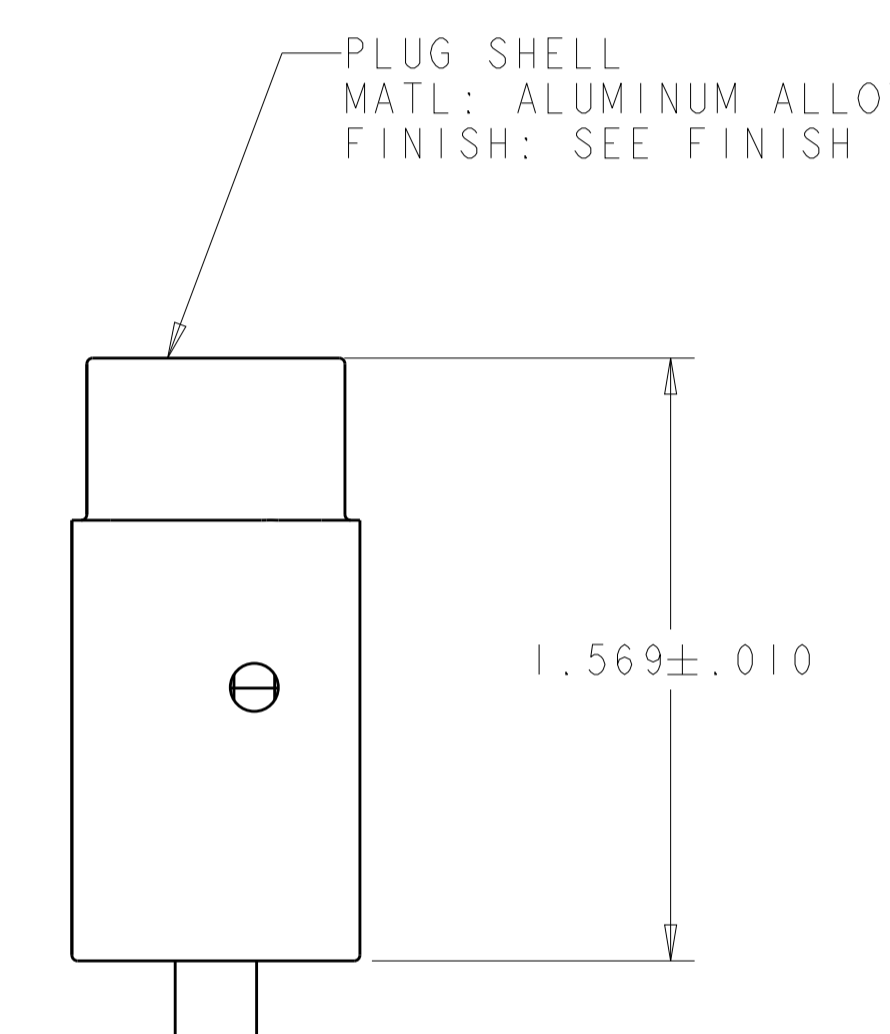
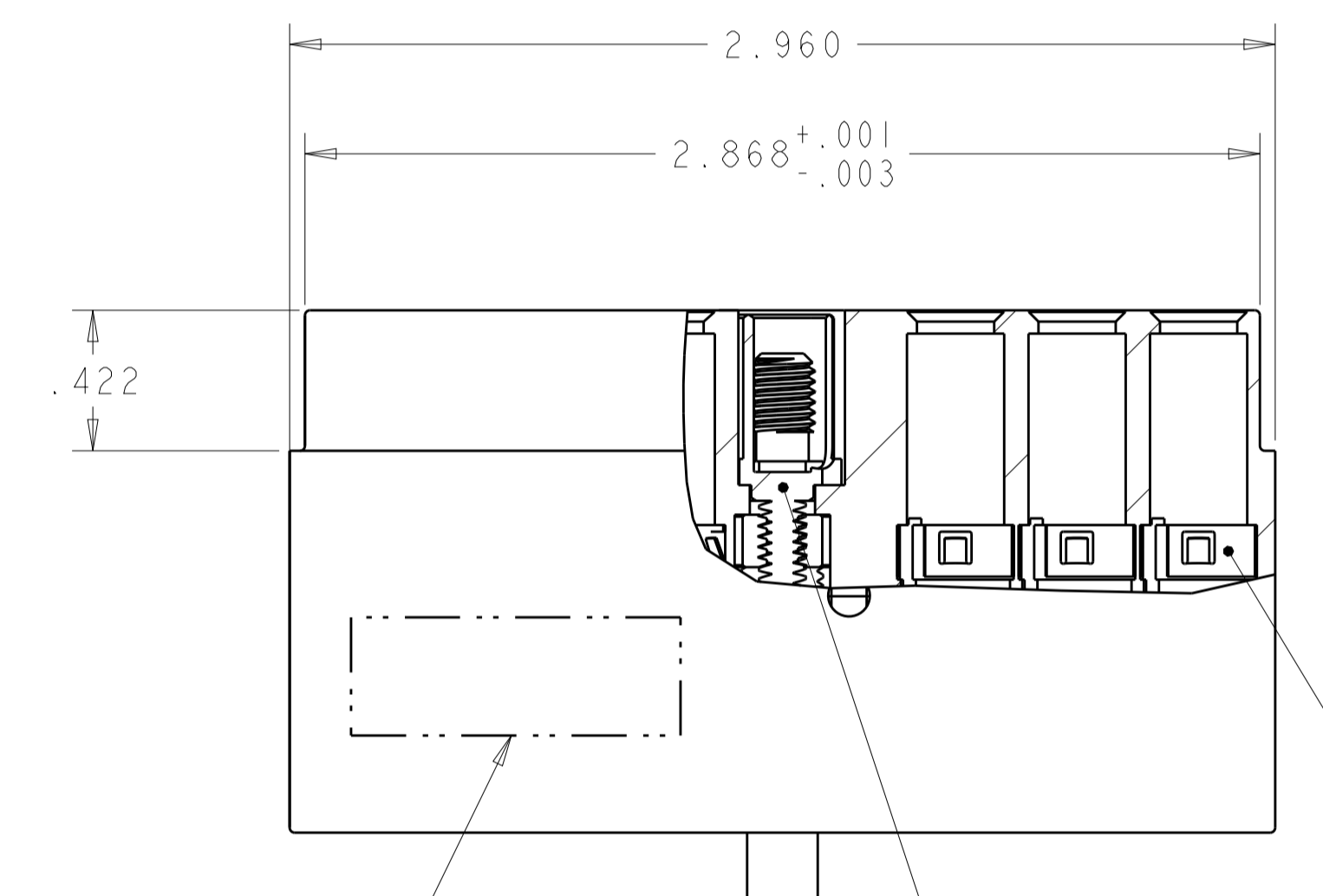


REVISIONS					
P.	LTN	DESCRIPTION	DATE	DMN	APVD
P	REV PER ECO	17-012106	8-22-17	CT	DM

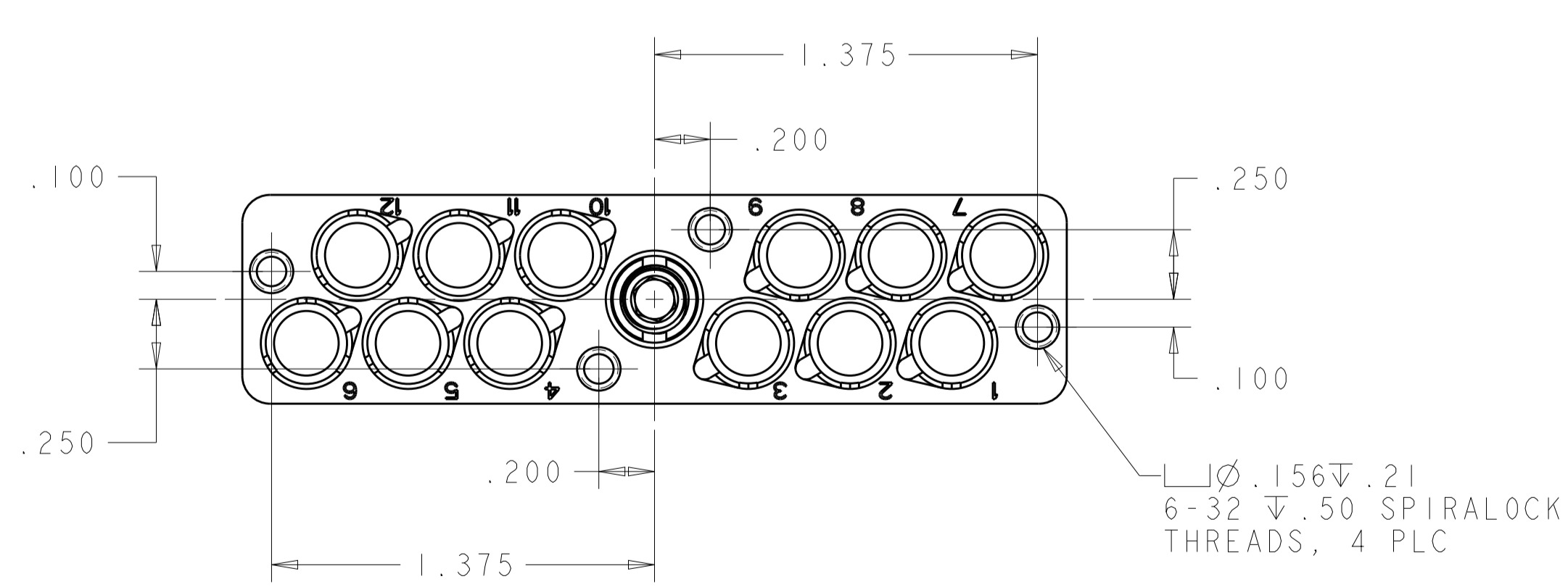


JACKSCREW POLARIZATION "F" SHOWN
SCALE 4:1



JACKSCREW POLARIZATION "A" SHOWN
SCALE 4:1

TE LOGO, DATE CODE AND EITHER CUSTOMER OR TE PART NUMBER (PER TABLE), CAGE CODE 00779 (-6 ONLY) MARKED APPROX AS SHOWN ON NEAR OR FAR SIDE)



ELECTROLESS NICKEL	1445693-4	BACC65BC12ND	JACKSCREW ASSEMBLED PLZN CODE D	1-1604800-5
ELECTROLESS NICKEL	1445693-4	BACC65BC12N	WITH JACKSCREW-RETENTION NUT KIT	1-1604800-4
ELECTROLESS NICKEL	1445693-4	BACC65BC12NE	JACKSCREW ASSEMBLED PLZN CODE E	1-1604800-3
ELECTROLESS NICKEL	1445693-4	BACC65BC12NC	JACKSCREW ASSEMBLED PLZN CODE C	1-1604800-2
ELECTROLESS NICKEL	1445693-4	BACC65BC12NB	JACKSCREW ASSEMBLED PLZN CODE B	1-1604800-1
ELECTROLESS NICKEL	1445693-4	BACC65BC12NF	JACKSCREW ASSEMBLED PLZN CODE F	1-1604800-0
ELECTROLESS NICKEL	1445693-4	BACC65BC12NA	JACKSCREW ASSEMBLED PLZN CODE A	1604800-9
ELECTROLESS NICKEL	1445693-3	---	WITH JACKSCREW-RETENTION NUT KIT	1604800-8
ELECTROLESS NICKEL	1445693-3	---	JACKSCREW ASSEMBLED PLZN CODE A	1604800-6
ELECTROLESS NICKEL	1445693-3	---	WITH JACKSCREW-RETENTION NUT KIT	1604800-5
OBSELETE BLACK ANODIZED	1445693-4	BACC65BC12A	WITH JACKSCREW-RETENTION NUT KIT	1604800-4
SHELL FINISH	RECOMMENDED CONTACT WITH WIRE SEAL	BOEING PART NUMBER	DESCRIPTION	PART NO.

WITH JACKSCREW-RETENTION NUT KIT IS UNASSEMBLED TO CONNECTOR ASSY. KIT IS PACKAGED IN SEALED BAG.

SUPERSEDED BY 1604800-5

THIS DRAWING IS A CONTROLLED DOCUMENT. DWN: Brent D. Lohm 24 JUNE 2004
 CHK: W.H. BERNHART 24 JUNE 2004
 APVD: W.H. BERNHART 24 JUNE 2004

STE TE Connectivity

NAME: PLUG ASSEMBLY, QUADRAX, FREE HANGING, RR/RR, 12 POSITION

SIZE: CAGE CODE DRAWING NO: A100779C=1604800

RESTRICTED TO: -

CUSTOMER DRAWING SCALE: 2:1 SHEET 1 OF 1 REV P

X-ON Electronics

Largest Supplier of Electrical and Electronic Components

Click to view similar products for [Rack & Panel Connectors](#) category:

Click to view products by [TE Connectivity](#) manufacturer:

Other Similar products are found below :

[00171410002](#) [00171420202](#) [00171440002](#) [02-014-013-5200-000](#) [613467-000](#) [CTJ112E01E-513](#) [CTJ116E03A-513](#) [66020-2](#) [CW8958-000](#)
[699886-000](#) [D250-50632](#) [70.400.3240.0](#) [70.955.2453.3](#) [733753-000](#) [F22831-000](#) [780-522-DPX34RG8-02](#) [8660-501](#) [87.060.0053.0](#)
[900709N001](#) [928358-1](#) [D-659-0061](#) [1-445717-6](#) [1484469-2](#) [1604997-2](#) [MTC100-BF1-P31CS015](#) [MTC100-KT2-0083](#) [MTC100-KT2-0123-](#)
[003](#) [MTC100-YA1-005](#) [MTCQKT1R2PGCA](#) [MTCR-103-04S](#) [MTCX1X-100-100CS025](#) [1738331-1](#) [1757667-1](#) [1811481-1](#) [1883433-1](#)
[201046-7](#) [202648-4](#) [213364-1](#) [226503-000](#) [937028-164](#) [1663130-2](#) [172305-4](#) [F36711-000](#) [202355-2](#) [202356-2](#) [G16S-A](#) [G20S-AB](#) [CHA-](#)
[0017-003](#) [CHA-0296](#) [354654-000](#)