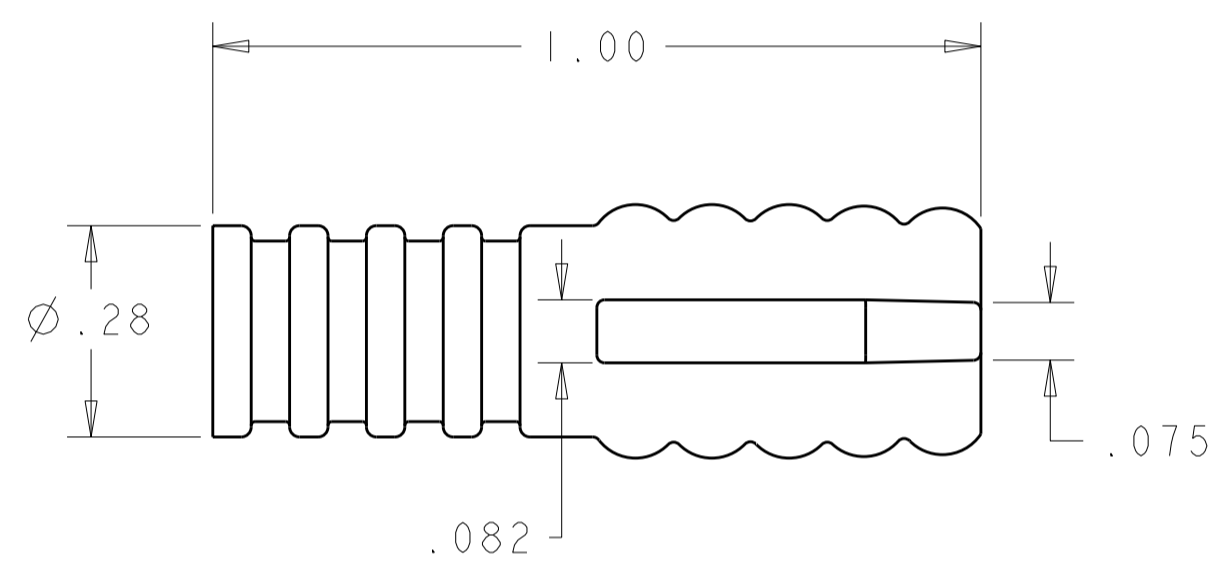
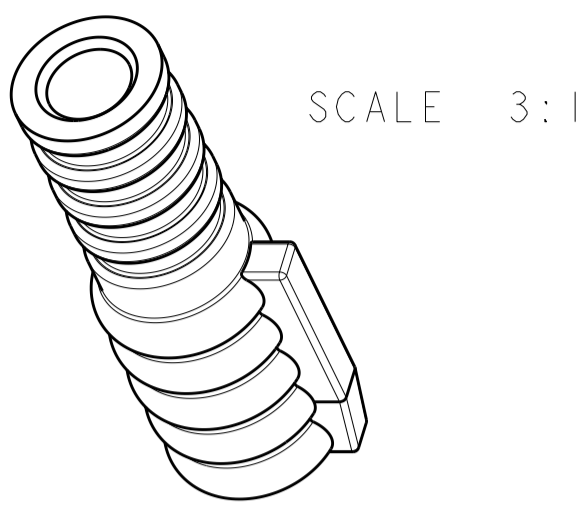


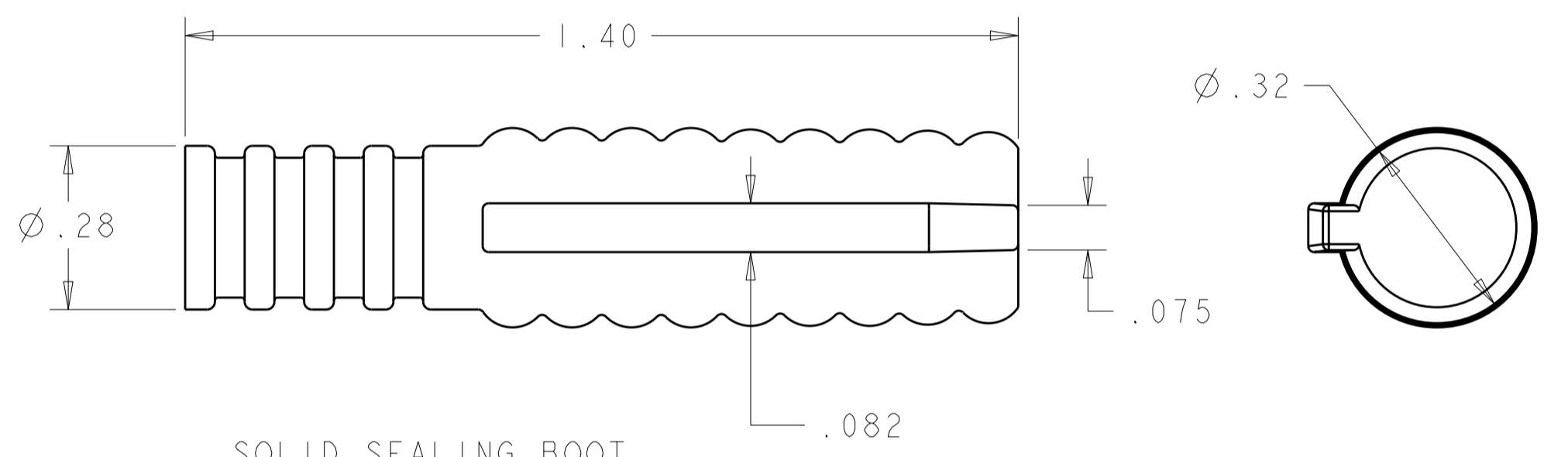
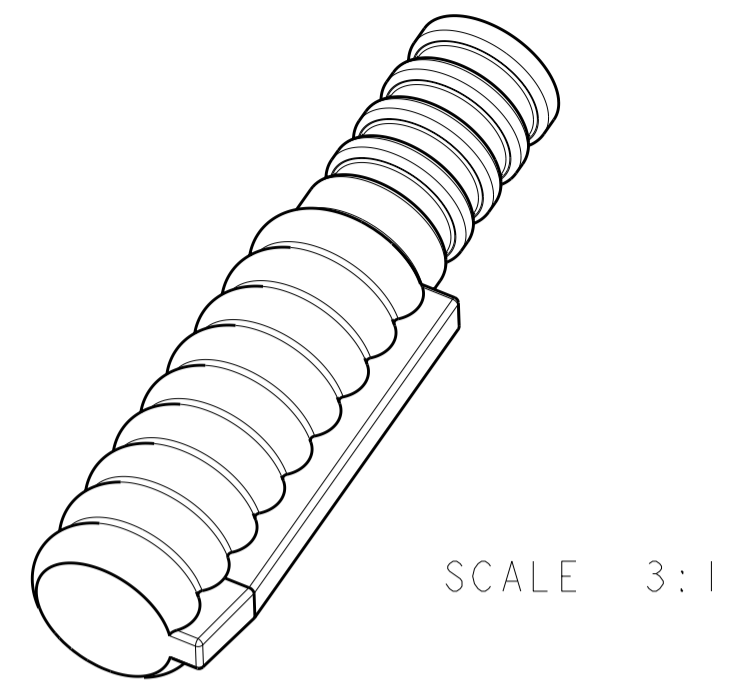
THIS DRAWING IS UNPUBLISHED. RELEASED FOR PUBLICATION 20
 © COPYRIGHT 20 BY TYCO ELECTRONICS CORPORATION. ALL RIGHTS RESERVED.



WIRE SEAL BOOT
 FOR QUAD CABLE
 PACKAGED IN QUANTITY
 AS PART NUMBERS
 1604872-3, (QTY=10)
 1604872-4, (QTY=100)
 1604872-5 (QTY=1000)

- 1 MATERIAL: SELF LUBRICATING SILICONE RUBBER PER ZZ-R-765.
- 2. COLOR: RED
- 3 INSIDE DIAMETER TO SEAL OFF ON .145-.175 INCH OUTSIDE DIAMETER CABLE
- 4 PARTS PACKAGED IN POLY BAGS IN QUANTITY PER TABLE.

LOC	DIST	REVISIONS			
P	LTR	DESCRIPTION	DATE	DWN	APVD
-	-	A	REV PER ECO 10-014050	8-24-10	CT DM



SOLID SEALING BOOT
 PACKAGED IN QUANTITY
 AS PART NUMBERS
 1604872-2 (QTY=1)
 1604872-6 (QTY=10)
 1604872-7 (QTY=100)
 1604872-8 (QTY=1000)

4 PACKAGE QUANTITY	DESCRIPTION	PART NUMBER
1000	SOLID SEALING BOOT	1604872-8
100	SOLID SEALING BOOT	1604872-7
10	SOLID SEALING BOOT	1604872-6
1000	WIRE SEAL FOR QUAD CABLE	1604872-5
100	WIRE SEAL FOR QUAD CABLE	1604872-4
10	WIRE SEAL FOR QUAD CABLE	1604872-3
1	SOLID SEALING BOOT	1604872-2

<small>THIS DRAWING IS A CONTROLLED DOCUMENT FOR TYCO ELECTRONICS CORPORATION. IT IS SUBJECT TO CHANGE AND THE CONTROLLING ENGINEERING ORGANIZATION SHOULD BE CONTACTED FOR THE LATEST REVISION.</small>		DWN B.D. YOHN 27APR2004 CHK W. BERNHART 27APR2004 APVD W. BERNHART 27APR2004	Tyco Electronics Tyco Electronics Harrisburg, PA 17105-3608
DIMENSIONS: INCHES 	TOLERANCES UNLESS OTHERWISE SPECIFIED: 0 PLC ± 1 PLC ±.01 2 PLC ±.01 3 PLC ±.005 4 PLC ± ANGLES ± FINISH	PRODUCT SPEC - APPLICATION SPEC - WEIGHT -	NAME BOOT, SEAL, WIRE, QUADRAX SIZE A2 CAGE CODE 00779 DRAWING NO 1604872 RESTRICTED TO - SCALE 4:1 SHEET 1 OF 1 REV A
MATERIAL 1 - CUSTOMER DRAWING			Tyco Electronics logo

X-ON Electronics

Largest Supplier of Electrical and Electronic Components

Click to view similar products for [Rack & Panel Connectors](#) category:

Click to view products by [TE Connectivity](#) manufacturer:

Other Similar products are found below :

[00171410002](#) [00171420202](#) [00171440002](#) [02-014-013-5200-000](#) [613467-000](#) [CTJ112E01E-513](#) [CTJ116E03A-513](#) [66020-2](#) [CW8958-000](#)
[699886-000](#) [D250-50632](#) [70.400.3240.0](#) [70.955.2453.3](#) [733753-000](#) [F22831-000](#) [780-522-DPX34RG8-02](#) [8660-501](#) [87.060.0053.0](#)
[900709N001](#) [928358-1](#) [D-659-0061](#) [1-445717-6](#) [1484469-2](#) [1604997-2](#) [MTC100-BF1-P31CS015](#) [MTC100-KT2-0083](#) [MTC100-KT2-0123-](#)
[003](#) [MTC100-YA1-005](#) [MTCQKT1R2PGCA](#) [MTCR-103-04S](#) [MTCX1X-100-100CS025](#) [1738331-1](#) [1757667-1](#) [1811481-1](#) [1883433-1](#)
[201046-7](#) [202648-4](#) [213364-1](#) [226503-000](#) [937028-164](#) [1663130-2](#) [172305-4](#) [F36711-000](#) [202355-2](#) [202356-2](#) [G16S-A](#) [G20S-AB](#) [CHA-](#)
[0017-003](#) [CHA-0296](#) [354654-000](#)