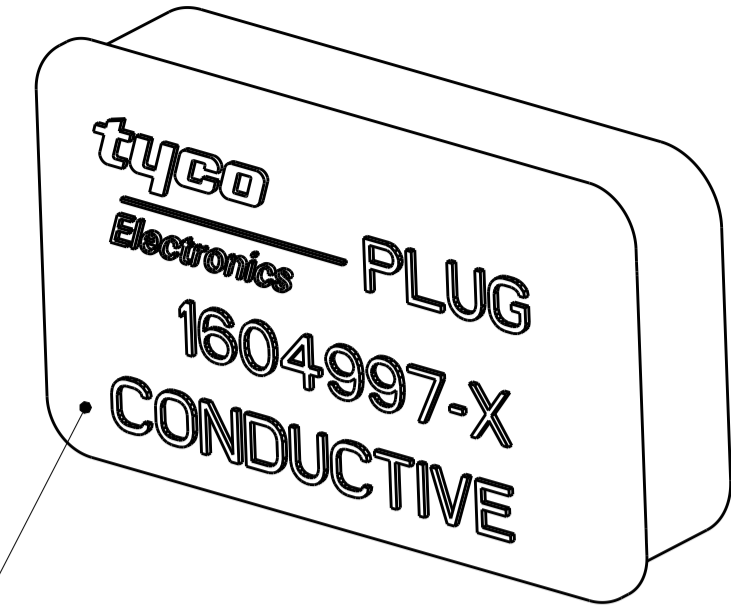
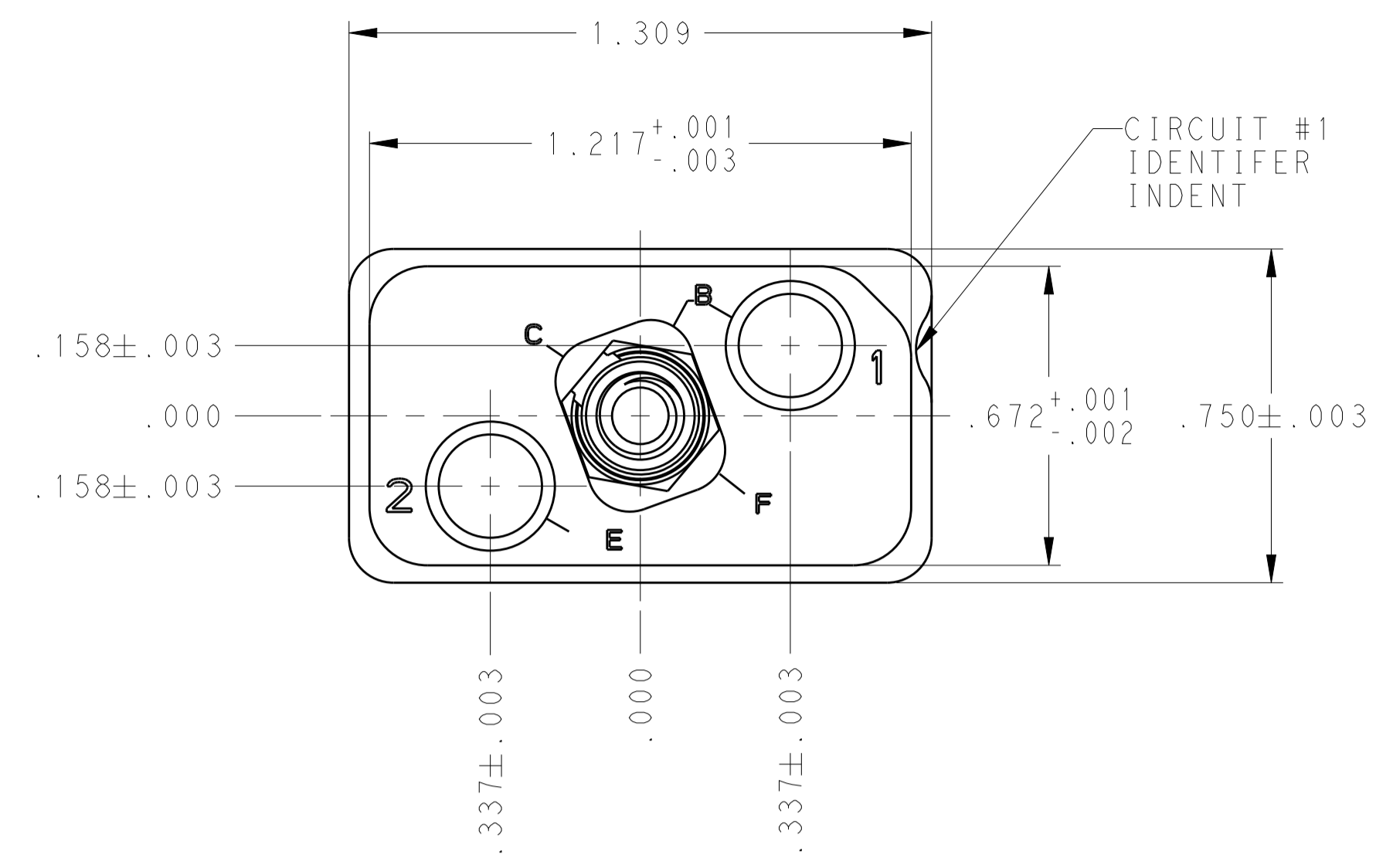
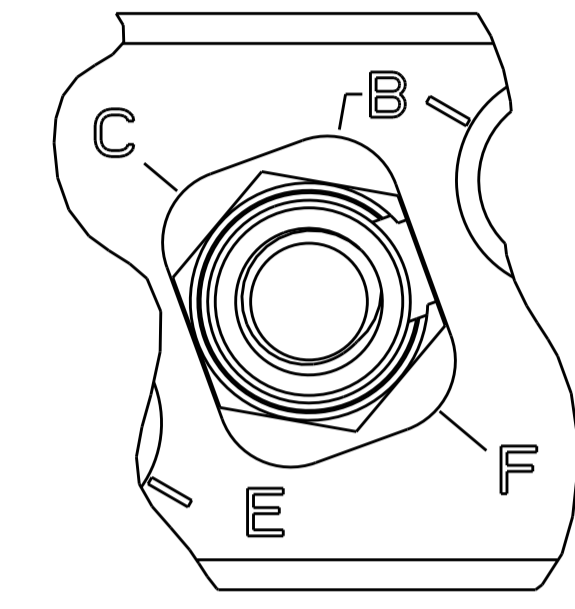


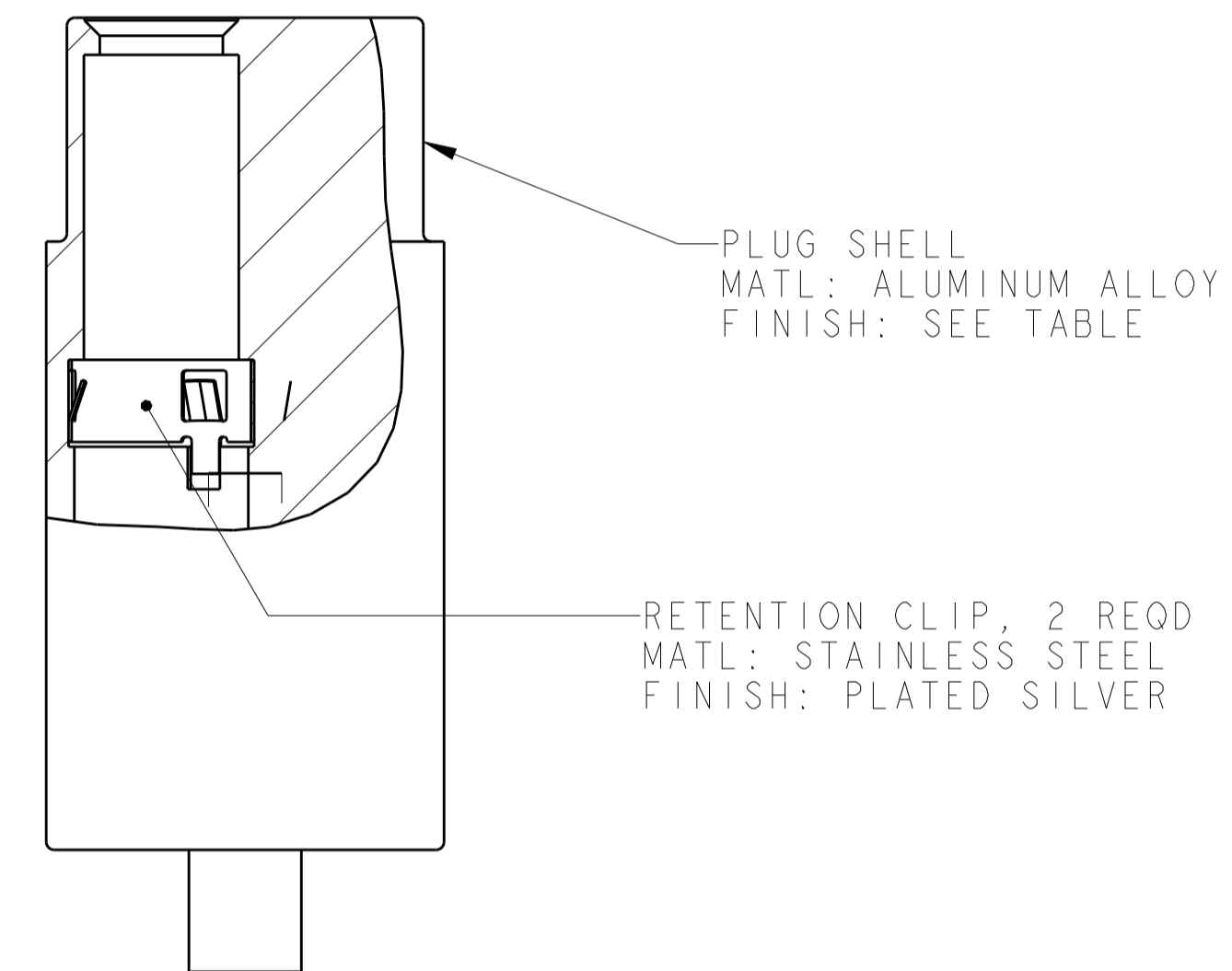
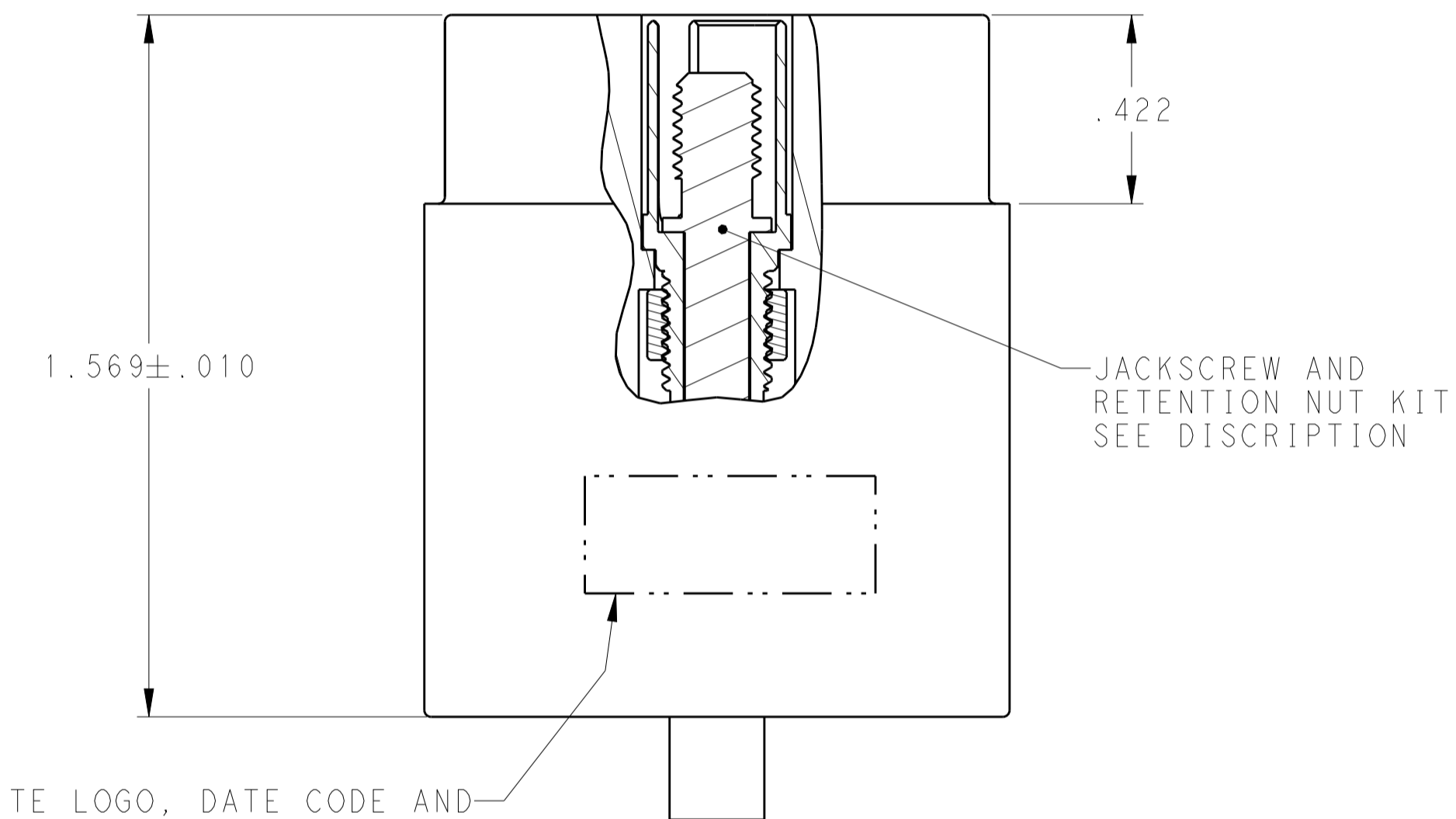
LOC		DIST		REVISIONS			
P	LTN	DESCRIPTION	DATE	DMN	APVD		
H		REV PER ECO 13-008491	6-3-13	CT	DM		



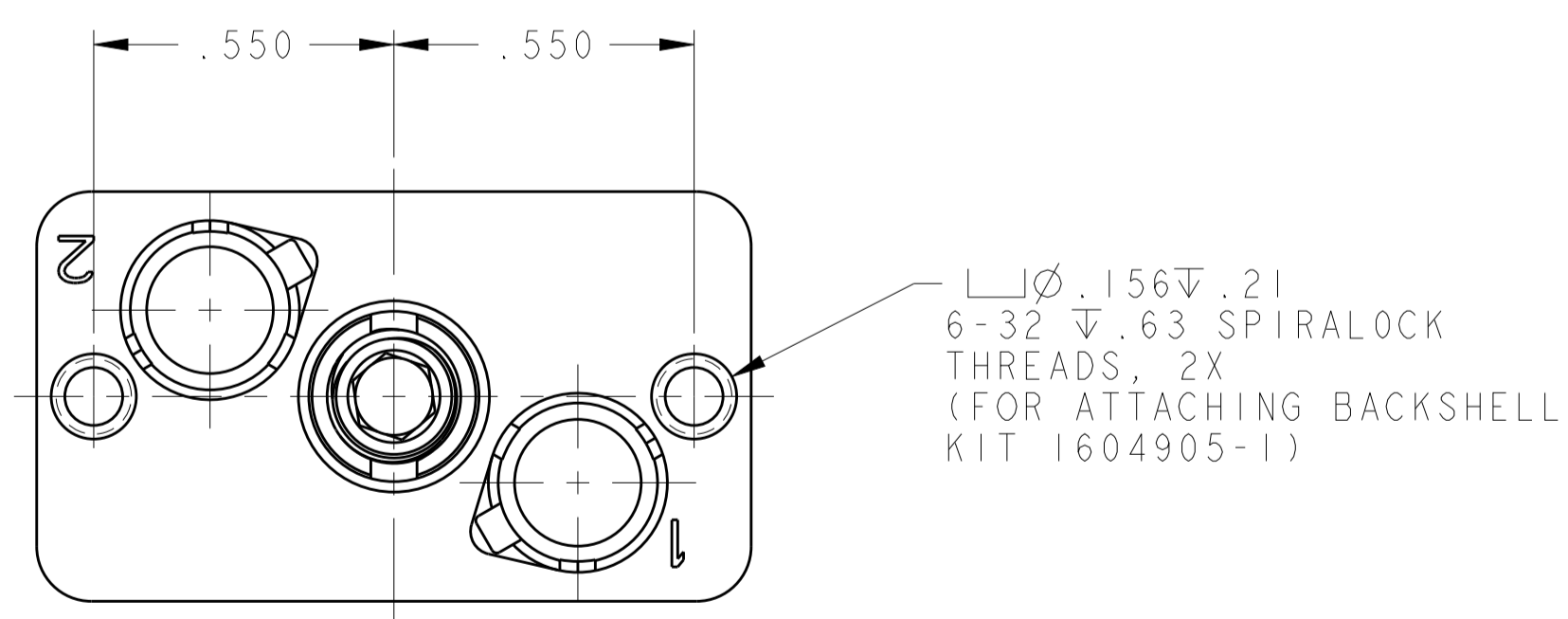
ESD DUST COVER; INSTALLED ON ALL DASH NUMBERS



PLZN CODE A SHOWN FOR REFERENCE
SCALE 4:1



TE LOGO, DATE CODE AND EITHER CUSTOMER OR TE PART NUMBER (PER TABLE) MARKED APPROX AS SHOWN ON NEAR OR FAR SIDE)



1445693-4	ELECTROLESS NICKEL	BACC65BC2N	WITH JACKSCREW-RETENTION NUT KIT (FLAT POLARIZATION)	1604898-9
1445693-4	ELECTROLESS NICKEL	BACC65BC2NC	JACKSCREW ASSEMBLED PLZN CODE C	1604898-8
1445693-4	ELECTROLESS NICKEL	BACC65BC2NB	JACKSCREW ASSEMBLED PLZN CODE B	1604898-7
1445693-3	ELECTROLESS NICKEL	---	JACKSCREW ASSEMBLED PLZN CODE A	1604898-6
1445693-3	ELECTROLESS NICKEL	---	WITH JACKSCREW-RETENTION NUT KIT (FLAT POLARIZATION)	1604898-5
1445693-4	BLACK ANODIZED	BACC65BC2A	WITH JACKSCREW-RETENTION NUT KIT (FLAT POLARIZATION)	1604898-4
1445693-2	---	---	WITH JACKSCREW-RETENTION NUT KIT (FLAT POLARIZATION)	1604898-2
RECOMMENDED CONTACT WITH WIRE SEAL	SHELL FINISH	BOEING PART NUMBER	DESCRIPTION	PART NO.

OBSELETE

SUPERSEDED BY 1604898-5

⚠ JACKSCREW-RETENTION NUT KIT IS UNASSEMBLED TO CONNECTOR ASSY. KIT IS PACKAGED IN SEALED BAG.

2. 1604898-5 THRU -9 HOUSING CONFIGURATION (ONE PIECE) SHOWN.

THIS DRAWING IS A CONTROLLED DOCUMENT. DWN: Brent D. Toth 06OCT2004
 CHK: W.H.BERNHART 06OCT2004
 APVD: W.H.BERNHART 06OCT2004

TE Connectivity

NAME: PLUG ASSEMBLY, QUADRAX, FREE HANGING, RR/RR, 2 POSITION

SIZE: A1 CAGE CODE: 1604898 DRAWING NO: 100779

SCALE: 3:1 SHEET: 1 OF 1 REV: H

X-ON Electronics

Largest Supplier of Electrical and Electronic Components

Click to view similar products for [Rack & Panel Connectors](#) category:

Click to view products by [TE Connectivity](#) manufacturer:

Other Similar products are found below :

[00171410002](#) [00171420202](#) [00171440002](#) [02-014-013-5200-000](#) [613467-000](#) [CTJ112E01E-513](#) [CTJ116E03A-513](#) [66020-2](#) [CW8958-000](#)
[699886-000](#) [D250-50632](#) [70.400.3240.0](#) [70.955.2453.3](#) [733753-000](#) [F22831-000](#) [780-522-DPX34RG8-02](#) [8660-501](#) [87.060.0053.0](#)
[900709N001](#) [928358-1](#) [D-659-0061](#) [1-445717-6](#) [1484469-2](#) [1604997-2](#) [MTC100-BF1-P31CS015](#) [MTC100-KT2-0083](#) [MTC100-KT2-0123-](#)
[003](#) [MTC100-YA1-005](#) [MTCQKT1R2PGCA](#) [MTCR-103-04S](#) [MTCX1X-100-100CS025](#) [1738331-1](#) [1757667-1](#) [1811481-1](#) [1883433-1](#)
[201046-7](#) [202648-4](#) [205269-1](#) [213364-1](#) [226503-000](#) [937028-164](#) [1663130-2](#) [172305-4](#) [AC-660022-701BP](#) [F36711-000](#) [202355-2](#) [202356-](#)
[2](#) [G16S-A](#) [G20S-AB](#) [CHA-0017-003](#)