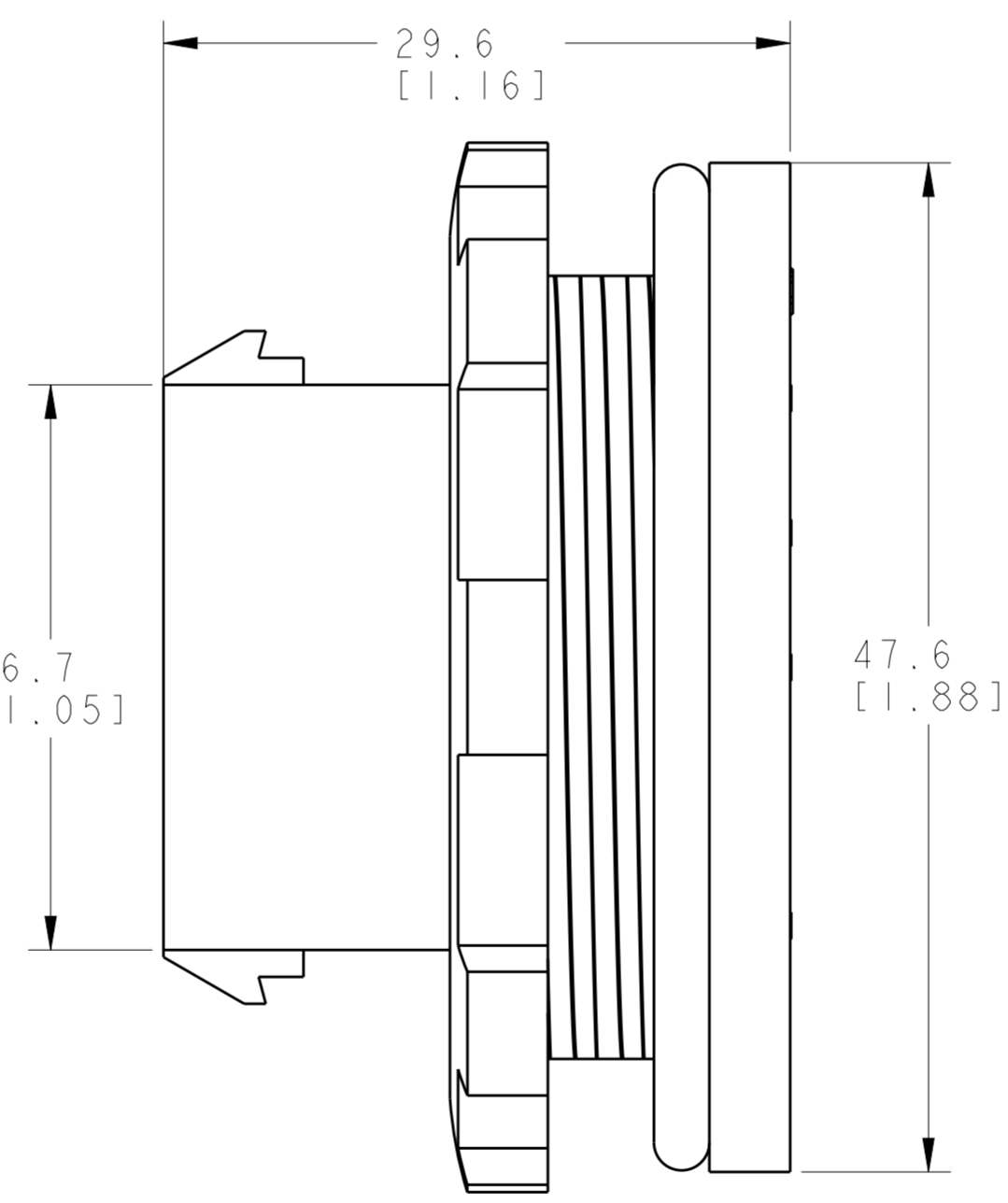
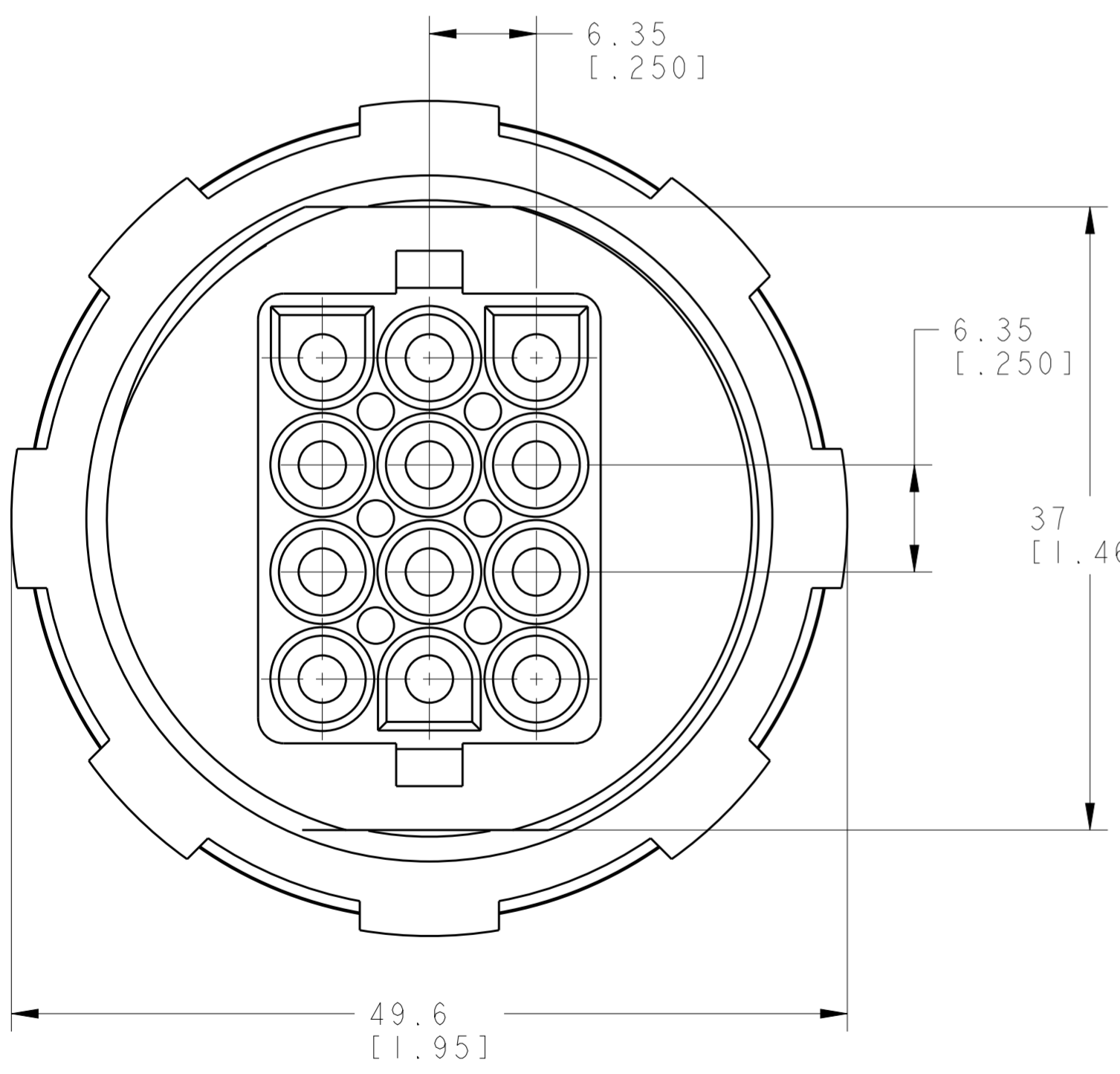
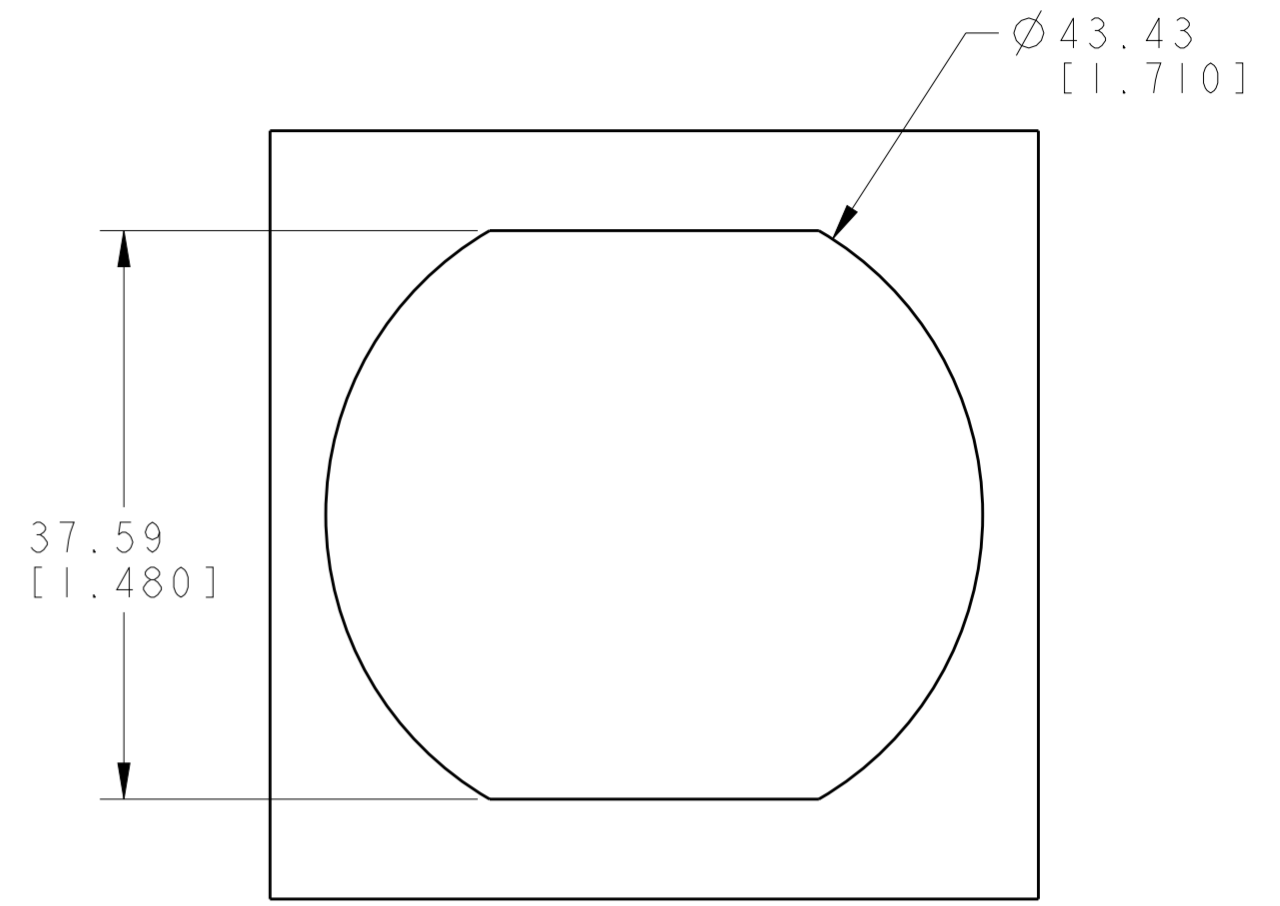
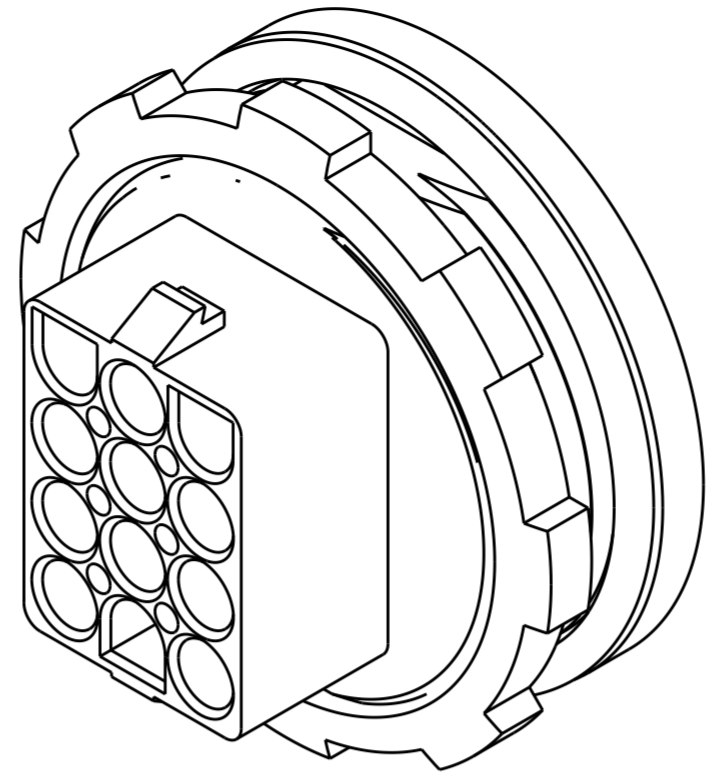
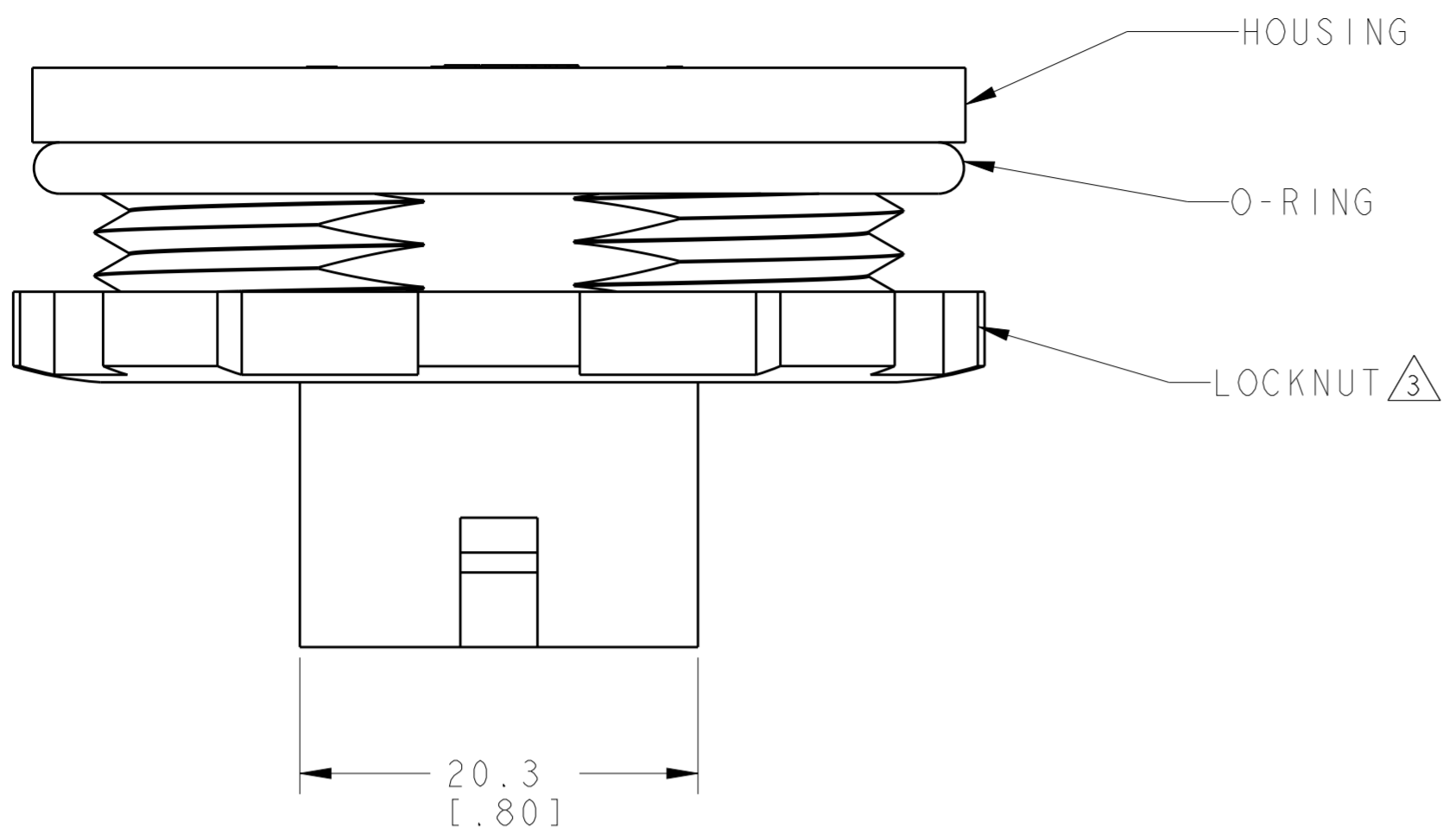


THIS DRAWING IS UNPUBLISHED. RELEASED FOR PUBLICATION 20
 © COPYRIGHT 20 ALL RIGHTS RESERVED.

REVISIONS				
P	LTR	DESCRIPTION	DATE	APVD
A1		REVISED PER ECR-17-015449	25OCT2017	BDA KR
A2		REVISED PER ECO-20-008510	17JUN2020	WLS DZ
A3		REVISED PER ECN-20-100768	03DEC2020	WLS VS



RECOMMENDED
 PANEL CUT-OUT
 SCALE 2:1

- ① LOCKNUT : METAL
 HOUSING : NYLON, FLAME RETARDANT, UL94-V0
 O-RING : NEOPRENE BLACK (-1) OR
 SILICONE RUBBER RED (1- -1)
- ② LOCKNUT : PLATED
- ③ LOCKNUT, SIX(6) OR EIGHT(8) SYMETRICAL
 PLACED GRIP POINTS PERMISSIBLE.
- 4 DIMENSIONS SHOWN REPRESENT PRODUCT IN
 DRY, AS MOLDED, CONDITION. ADDITIONAL
 2% GROWTH DUE TO SUBSEQUENT MOISTURE
 ABSORPTION MAY OCCUR AND SHOULD BE
 ACCOUNTED FOR.
- ⑤ ROHS COMPLIANT.

⑤	I-1604941-1
	1604941-1
	PART NO

THIS DRAWING IS A CONTROLLED DOCUMENT.		DWN W J RUDY 12 JUN 03	TE Connectivity	
DIMENSIONS: mm [INCHES]		CHK JHW 12 JUN 03		
TOLERANCES UNLESS OTHERWISE SPECIFIED:		APVD JHW 12 JUN 03	NAME BULKHEAD CONNECTOR ASSEMBLY 12 CIRCUIT, UNIVERSAL MATE-N-LOK(TM)	
0 PLC ±	1 PLC ±0.5 [0.02]	PRODUCT SPEC	SIZE CAGE CODE DRAWING NO	
2 PLC ±0.13 [0.005]	3 PLC ±	APPLICATION SPEC	A200779 C-1604941	
4 PLC ±	ANGLES ±	WEIGHT	RESTRICTED TO	
MATERIAL ①	FINISH ②	CUSTOMER DRAWING	SCALE 3:1	SHEET 1 OF 1
			REV A3	

X-ON Electronics

Largest Supplier of Electrical and Electronic Components

Click to view similar products for [Pin & Socket Connectors](#) category:

Click to view products by [TE Connectivity](#) manufacturer:

Other Similar products are found below :

[6450822-1](#) [770392-1](#) [794042-1](#) [796885-1](#) [8-794535-1](#) [881459-2](#) [R929993003](#) [1-350779-3](#) [1403611-1](#) [1-480349-5](#) [1586092-1](#) [1586129-1](#)
[1586487-1](#) [1586681-4](#) [1586700-1](#) [1586065-1](#) [1586077-1](#) [1586368-1](#) [1586380-1](#) [1586680-5](#) [1586681-2](#) [1604996-1](#) [16-06-0038](#) [164164-5](#) [1-](#)
[6609930-1](#) [172296-1](#) [1-794714-6](#) [19-09-2035](#) [1969804-1](#) [200503-1](#) [200788-2](#) [201046-7](#) [202648-4](#) [2029076-2](#) [2029090-4](#) [2029095-4](#) [2-](#)
[66102-6](#) [925061-7](#) [926681-1](#) [293734-4](#) [293737-2](#) [1-765362-4](#) [1-794606-3](#) [1871534-1](#) [1969795-1](#) [1969798-1](#) [1969800-1](#) [200833-4](#)
[2008625-2](#) [2029027-2](#)