

THIS DRAWING IS UNPUBLISHED.

RELEASED FOR PUBLICATION

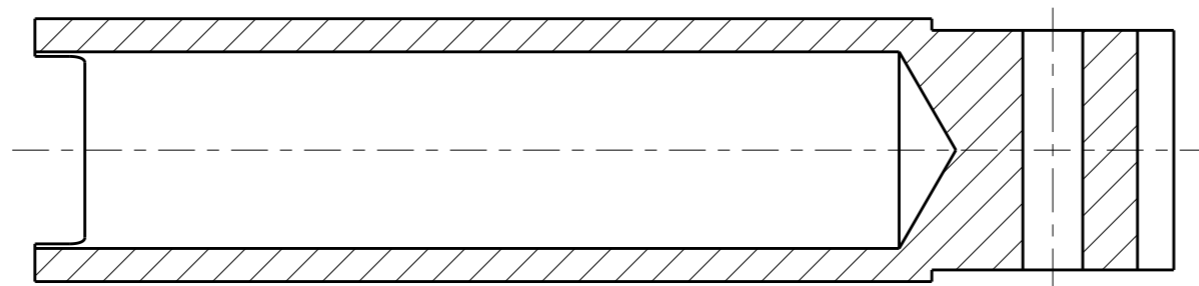
20

© COPYRIGHT 20 BY -

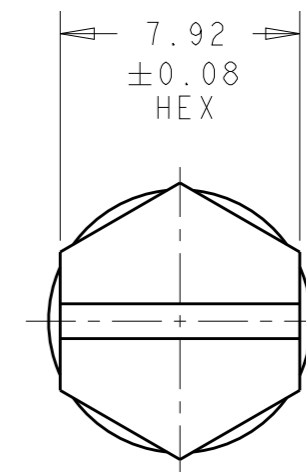
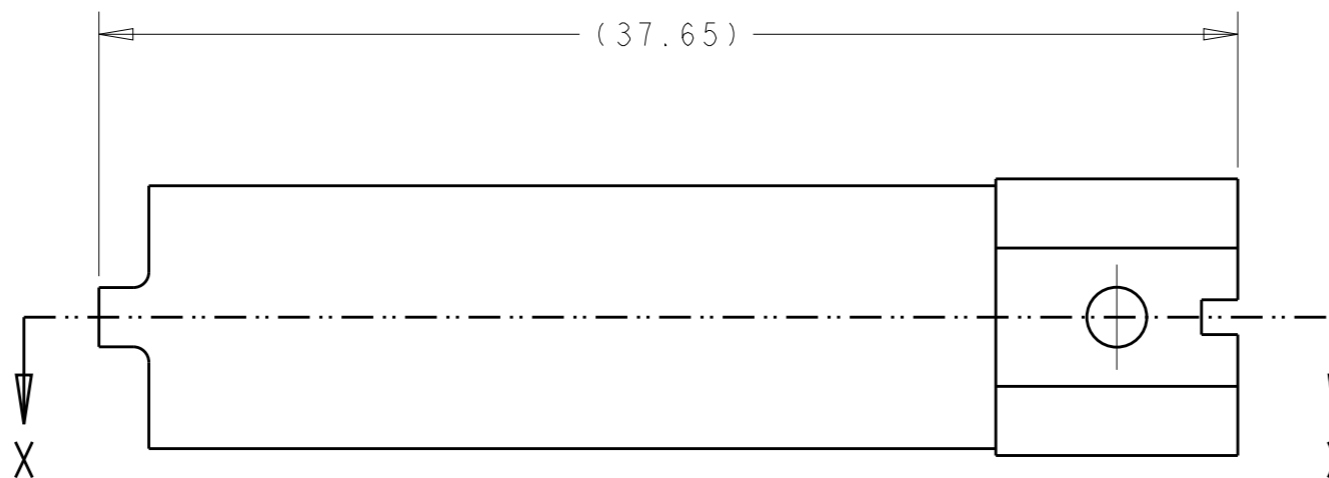
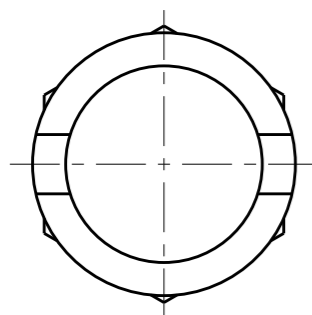
ALL RIGHTS RESERVED.

REVISIONS

P	LTR	DESCRIPTION	DATE	DWN	APVD
	0	RELEASED PER 0H14-0474-04	13JUL2004	BY	WB
	A	REV PER ECO-15-016926	23DEC2015	KG	DM




SECTION X - X



1. MATERIAL: STAINLESS STEEL
FINISH: PASSIVATED

2. TOOL USED FOR ASSEMBLY OF QUADRAX JACKPOST,
TE 1738592-1 AND JACKSCREW TE 2101768-1 IN
RECTANGULAR QUADRAX ASSEMBLIES - SEE
114-13123 FOR FURTHER DETAIL.

AS SHOWN	1604972-1
DESCRIPTION	PART NO.

THIS DRAWING IS A CONTROLLED DOCUMENT.		DWN Brent D. Yohn 13JUL2004	 TE Connectivity		
DIMENSIONS: mm		CHK W.H. BERNHART 13JUL2004			
TOLERANCES UNLESS OTHERWISE SPECIFIED:		APVD W.H. BERNHART 13JUL2004	NAME WRENCH, RETENTION NUT, JACKSCREW AND JACKPOST, QUADRAX RECTANGULAR CONNECTOR		
0 PLC ±- 1 PLC ±- 2 PLC ±- 3 PLC ±- 4 PLC ±- ANGLES ±-		PRODUCT SPEC -	SIZE A300779	CAGE CODE C-1604972	RESTRICTED TO -
MATERIAL - SEE NOTE		FINISH - SEE NOTE	APPLICATION SPEC -	WEIGHT -	SCALE 4:1
		CUSTOMER DRAWING	SHEET 1	OF 1	REV A

X-ON Electronics

Largest Supplier of Electrical and Electronic Components

Click to view similar products for [Spanners](#) category:

Click to view products by [TE Connectivity](#) manufacturer:

Other Similar products are found below :

[74005](#) [74008](#) [1406504-3](#) [1406504-4](#) [1406504-5](#) [1406504-7](#) [1725859-2](#) [9965](#) [999-16625-001](#) [G70515-18](#) [1055265-1](#) [1055267-1](#) [1-1406504-0](#) [1055787-1](#) [DCH.91.251.PA](#) [TG70-18](#) [TG70](#) [G62748-11](#) [DPH.99.005.2K](#) [DCP.91.045.TN](#) [1055512-1](#) [1055276-1](#) [R282303020](#) [TA-0456](#) [DCA.91.149.0TN](#) [TA-0436](#) [TA-0398](#) [TOL-222901](#) [74_Z-0-0-193](#) [294GB-5069-17-N](#) [74_Z-0-0-2](#) [523200-4](#) [294GB-5070-25-A](#) [74_Z-0-0-79](#) [294GB-5070-17-A](#) [74_Z-0-0-321](#) [TOL-171801](#) [PR23350](#) [1490262-2](#) [9968](#) [AC24VS](#) [80117](#) [DCN.91.149.0TK](#) [BT-A-6010CAGE](#) [R282340000](#) [BT-BS-609WT](#) [BT-A-6000B](#) [R282303000](#) [BT-BS-610R](#) [BT-BS-610RT](#)