

4

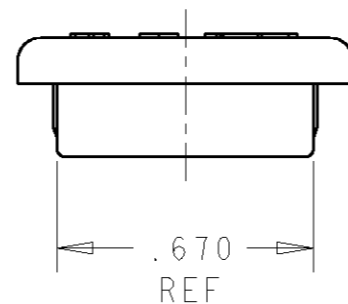
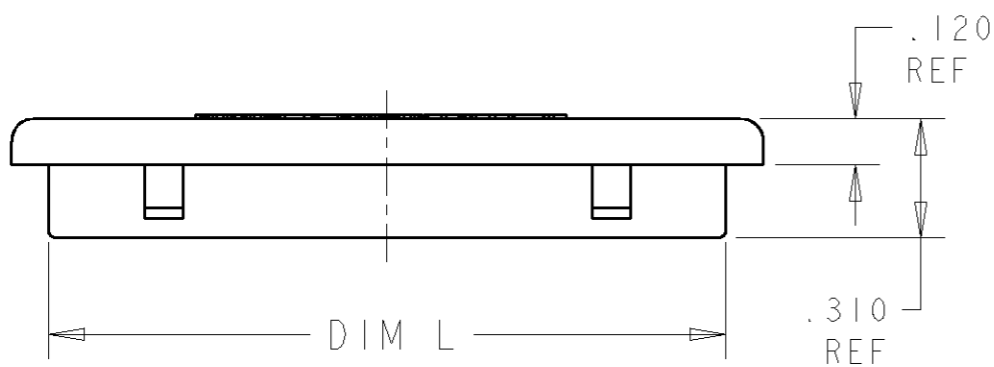
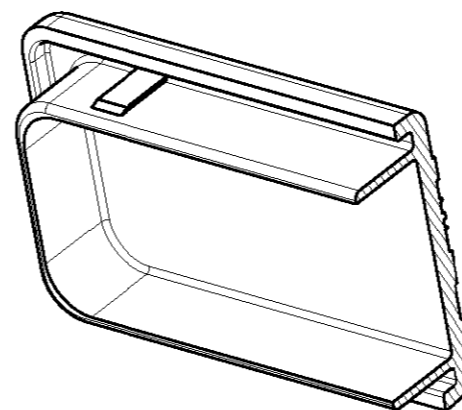
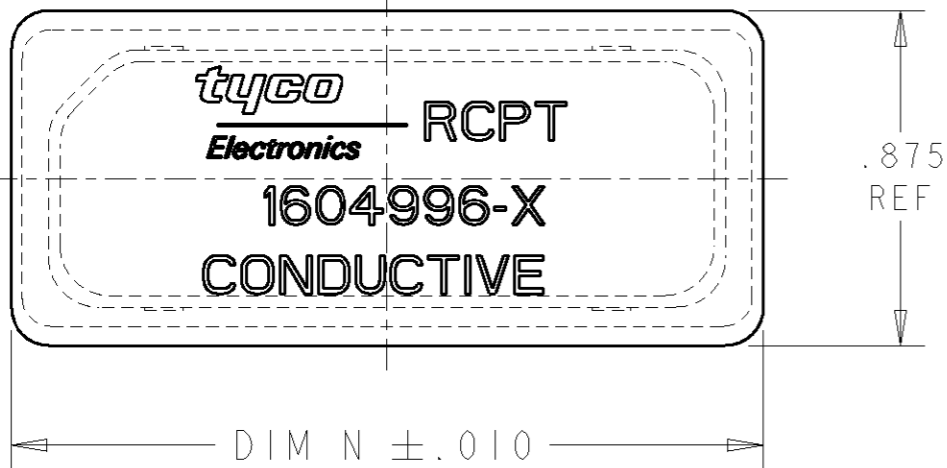
3

2

1

THIS DRAWING IS UNPUBLISHED. RELEASED FOR PUBLICATION 20
© COPYRIGHT 20 BY TYCO ELECTRONICS CORPORATION. ALL RIGHTS RESERVED.

LOC	DIST	REVISIONS			
P	LTR	DESCRIPTION	DATE	DWN	APVD
	0	RELEASE PER 0H14-0409-04	15JUN2004	BW	WB



1.769	1.965	6 POSN (1604926 AND 1604927)	1604996-3
1.214	1.410	2 POSN (1604896 AND 1604897)	1604996-2
2.865	3.060	12 POSN (1604798 AND 1604799)	1604996-1
L	N±.010	USED ON	PART NUMBER
DIMENSIONS			

⚠ MATL: CONDUCTIVE POLYPROPYLENE
COLOR: BLACK

DIMENSIONS:		TOLERANCES UNLESS OTHERWISE SPECIFIED:		DWN	Tyco Electronics	
IN		0 PLC ±-		15JUN2004	Harrisburg, PA 17105-3608	
		1 PLC ±.1		CHR W.H. BERNHART	15JUN2004	
		2 PLC ±.01		APVD W.H. BERNHART	15JUN2004	
		3 PLC ±.005		PRODUCT SPEC	NAME	
		4 PLC ±.0020		APPLICATION SPEC	COVER, DUST, ESD, RECEPTACLE, BOEING QUADRAX RECTANGULAR	
		ANGLES ±1		WEIGHT	-	
MATERIAL	FINISH	-		CUSTOMER DRAWING	SIZE	CAGE CODE
⚠					A3	00779
					DRAWING NO	RESTRICTED TO
					©=1604996	-
					SCALE	SHEET
					2:1	1 OF 1
						REV
						0

X-ON Electronics

Largest Supplier of Electrical and Electronic Components

Click to view similar products for [Rectangular MIL Spec Connectors](#) category:

Click to view products by [TE Connectivity](#) manufacturer:

Other Similar products are found below :

[891-011-15SA2-BSST](#) [CTS-S16/16](#) [65002-062](#) [CY4602-000](#) [732-8020-01](#) [77058-22-55PN](#) [81542-20](#) [86.030.0053.0](#) [1241346-1](#) [RM252-020-311-2900](#) [DMC-M 08-16 SA](#) [1589051-4](#) [MSO34MPK1E1](#) [BACC65CAMA](#) [BACC65CP1PN](#) [BACI10BC0816PNBA](#) [HSB-D4S03DM222X](#) [2217548-1](#) [891-006-9PS-BST1T](#) [891-009-15SA2-BRT1T](#) [27963-20T12](#) [SIM2N40NC3](#) [SIM2S100A](#) [1604996-2](#) [SMD25PN90L-4055](#) [1900ND08S1B00A](#) [22628-10-6P-791](#) [33526M11-08PD](#) [RE04-212S](#) [M32139/03-G05SN](#) [CTD160E01F-6148](#) [CTJ112E03B](#) [CTJ122E02D-8000](#) [CTJ-3D-12](#) [CTJ920E06N-513](#) [CTJ920E12N-513](#) [CTL-16-090](#) [RM300-000-581-0000](#) [CY4600-000](#) [CY4601-000](#) [38111-14-15SN](#) [38112-14-15PN](#) [MMA23-0111R1](#) [MMD25-0071P1](#) [33516062020](#) [33526M11-08PE](#) [DMC-M99-01AN](#) [Y59113WE20PNV00300](#) [ZPF000000000106310](#) [105979-31](#)