

4

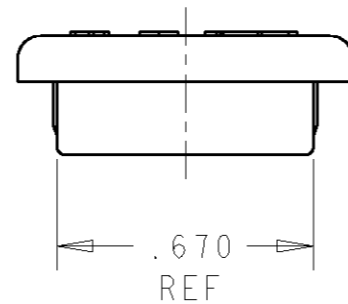
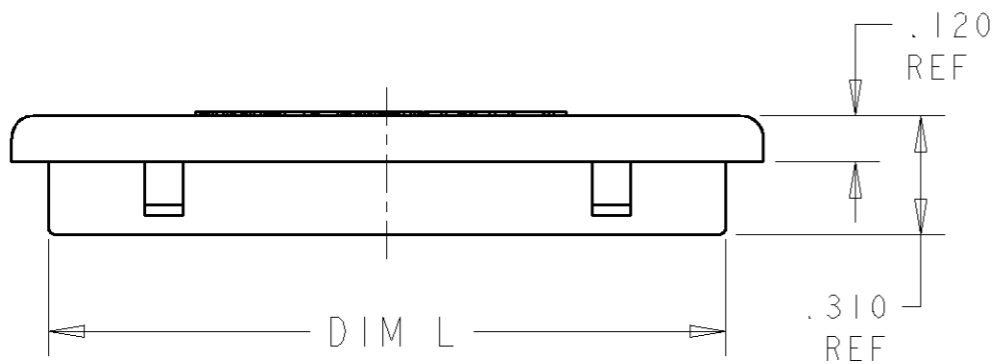
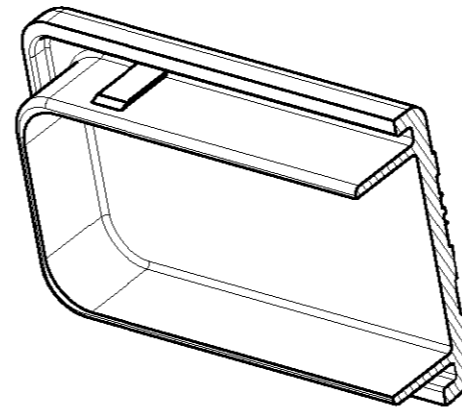
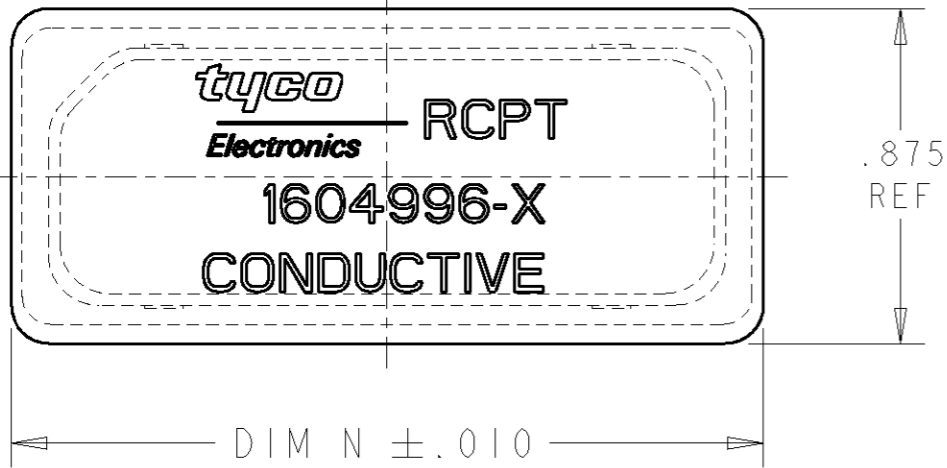
3

2

1

THIS DRAWING IS UNPUBLISHED. RELEASED FOR PUBLICATION 20  
© COPYRIGHT 20 BY TYCO ELECTRONICS CORPORATION. ALL RIGHTS RESERVED.

| LOC | DIST | REVISIONS                |           |     |      |
|-----|------|--------------------------|-----------|-----|------|
| P   | LTR  | DESCRIPTION              | DATE      | DWN | APVD |
|     | 0    | RELEASE PER 0H14-0409-04 | 15JUN2004 | BW  | WB   |
|     |      |                          |           |     |      |
|     |      |                          |           |     |      |



|            |        |                                     |                |
|------------|--------|-------------------------------------|----------------|
| 1.769      | 1.965  | 6 POSN<br>(1604926 AND<br>1604927)  | 1604996-3      |
| 1.214      | 1.410  | 2 POSN<br>(1604896 AND<br>1604897)  | 1604996-2      |
| 2.865      | 3.060  | 12 POSN<br>(1604798 AND<br>1604799) | 1604996-1      |
| L          | N±.010 | USED<br>ON                          | PART<br>NUMBER |
| DIMENSIONS |        |                                     |                |

⚠ MATL: CONDUCTIVE POLYPROPYLENE  
COLOR: BLACK

| DIMENSIONS:      |  | TOLERANCES UNLESS OTHERWISE SPECIFIED:  |  | DWN           |  | APVD             |  | NAME  |  |
|------------------|--|---|--|---------------|--|------------------|--|---|--|
| IN               |  |   |  | 15JUN2004     |  | 15JUN2004        |  | COVER, DUST, ESD, RECEPTACLE,<br>BOEING QUADRAX RECTANGULAR |  |
|                  |  | 0 PLC ±-<br>1 PLC ±.1<br>2 PLC ±.01<br>3 PLC ±.005<br>4 PLC ±.0020<br>ANGLES ±1 |  | Brent D. Yohn |  | W.H. BERNHART    |  | Tyco Electronics<br>Harrisburg, PA 17105-3608               |  |
|                  |  |   |  | W.H. BERNHART |  | W.H. BERNHART    |  | -   |  |
| MATERIAL         |  | FINISH  |  | PRODUCT SPEC  |  | APPLICATION SPEC |  | -   |  |
| ⚠                |  | -   |  | -             |  | -                |  | -   |  |
| CUSTOMER DRAWING |  |   |  | SCALE 2:1     |  | SHEET 1 OF 1     |  | REV 0   |  |

## X-ON Electronics

Largest Supplier of Electrical and Electronic Components

*Click to view similar products for [Rectangular Mil Spec Connectors](#) category:*

*Click to view products by [TE Connectivity](#) manufacturer:*

Other Similar products are found below :

[891-011-15SA2-BSST](#) [CTS-S16/16](#) [65002-062](#) [CY4602-000](#) [732-8020-01](#) [77058-22-55PN](#) [81542-20](#) [86.030.0053.0](#) [1241346-1](#) [RM252-020-311-2900](#) [DMC-M 08-16 SA](#) [1589051-4](#) [MSO34MPK1E1](#) [BACC65CAMA](#) [BACC65CP1PN](#) [BACI10BC0816PNBA](#) [HSB-D4S03DM222X](#) [2217548-1](#) [891-006-9PS-BST1T](#) [891-009-15SA2-BRT1T](#) [27963-20T12](#) [SIM2N40NC3](#) [SIM2S100A](#) [1604996-2](#) [SMD25PN90L-4055](#) [1900ND08S1B00A](#) [22628-10-6P-791](#) [33526M11-08PD](#) [RE04-212S](#) [M32139/03-G05SN](#) [CTD160E01F-6148](#) [CTJ112E03B](#) [CTJ122E02D-8000](#) [CTJ-3D-12](#) [CTJ920E06N-513](#) [CTJ920E12N-513](#) [CTL-16-090](#) [RM300-000-581-0000](#) [CY4600-000](#) [CY4601-000](#) [38111-14-15SN](#) [38112-14-15PN](#) [MMA23-0111R1](#) [MMD25-0071P1](#) [33516062020](#) [33526M11-08PE](#) [DMC-M99-01AN](#) [Y59113WE20PNV00300](#) [ZPF000000000106310](#) [105979-31](#)