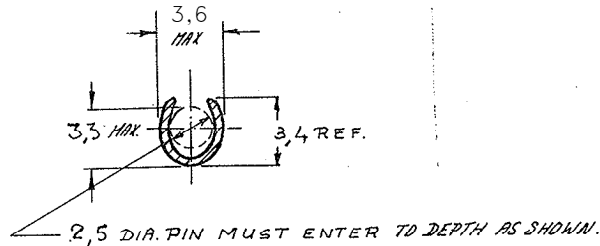
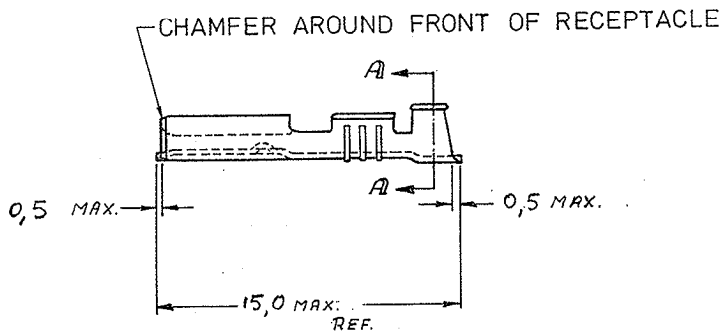


LOC IR DIST -

REVISIONS

P	LTR	DESCRIPTION	DATE	DWN	APVD
J		FIRST ISSUE	02MAY2007	HY	GT
J1		ADDED WIRE & INSULATION RANGE 0,2-1,0 mm ² HY		QT	
J2		REVISED PER ECO-09-026346	25NOV09	KK	AEG
J3		INSULATION BARREL WIDTH CORRECTED	20MAR12	PKS	RRP



SEC: A-A

1 OBSOLETE PARTS: OBSOLETE CIS STREAMLINING PER D.RENAUD/D.SINISI

1	6-160555-0	TIN LEAD	PHOSPH. BRONZE	5-160556-5	0	
	5-160555-4	PLAIN	PHOSPH. BRONZE	5-160556-4	0	
OBSOLETE	5-160555-3	SILVER PLATED	BRASS	5-160556-3	0	
	5-160555-2	TIN PLATED	BRASS	5-160556-2	0	
1	OBSOLETE	5-160555-1	PLAIN	BRASS	5-160556-1	0
	0-160484-8	TIN LEAD	BRASS	0-160539-7	-	
1	OBSOLETE	0-160484-7	PRE-TIN PLATED	PHOSPH. BRONZE	0-160539-6	-
	OBSOLETE	0-160484-6	TIN PLATED	PHOSPH. BRONZE	0-160539-5	-
	OBSOLETE	0-160484-3	SILVER PLATED	BRASS	0-160539-3	J
	OBSOLETE	0-160484-4	TIN PLATED	BRASS	0-160539-2	J
	OBSOLETE	0-160484-1	PLAIN	BRASS	0-160539-1	J
		STRIP FORM	FINISH	MATERIAL	P/N	REV

WIRE RANGE 0,5-1,0 mm².
INSULATION RANGE 2,0-2,5 mm.

<small>THIS DRAWING IS A CONTROLLED DOCUMENT FOR TYCO ELECTRONICS CORPORATION. IT IS SUBJECT TO CHANGE AND THE CONTROLLING ENGINEERING ORGANIZATION SHOULD BE CONTACTED FOR THE LATEST REVISION.</small>		DWN H. Yeali	02MAY2007		
DIMENSIONS: mm		CHK -	APVD G. Turco		NAME FASTON Connector, 2.8 mm series RECEPTACLE CONTACT LOOSE PIECE VERSION
		TOLERANCES UNLESS OTHERWISE SPECIFIED: 0 PLC ± 1 PLC ±0.3 2 PLC ± 3 PLC ± 4 PLC ± ANGLES ±1° FINISH -		PRODUCT SPEC -	RESTRICTED TO -
MATERIAL SEE TABLE		APPLICATION SPEC -	WEIGHT -	SIZE A300779	CAGE CODE C-160539
CUSTOMER DRAWING			SCALE 4:1	SHEET 1	OF 1
				REV J3	

X-ON Electronics

Largest Supplier of Electrical and Electronic Components

Click to view similar products for [Terminals](#) category:

Click to view products by [TE Connectivity](#) manufacturer:

Other Similar products are found below :

[00-054007-01074-6](#) [00-054007-70206-1](#) [00-054007-70210-8](#) [00-054007-70217-7](#) [00-054007-70226-9](#) [00-054007-70228-3](#) [00-054007-70248-1](#) [00-054007-70256-6](#) [00-054007-70301-3](#) [00-054007-70316-7](#) [00-054007-49560-4](#) [00-054007-70209-2](#) [00-054007-70225-2](#) [00-054007-70227-6](#) [00-054007-70231-3](#) [00-054007-70241-2](#) [00-054007-70242-9](#) [00-054007-70244-3](#) [00-054007-70246-7](#) [00-054007-70263-4](#) [00-054007-70288-7](#) [00-054007-70290-0](#) [00-054007-70300-6](#) [00-054007-70304-4](#) [01-2065-1-0216](#) [01-2900-1-04412](#) [00581P0075](#) [600TS-10](#) [60205-1](#) [604200-1](#) [605601-1](#) [60598-1-CUT-TAPE](#) [61314-6-C](#) [61810-3](#) [61-S](#) [61-SN](#) [626-0194](#) [62-NBM-A](#) [62-SN](#) [62-SP](#) [63-S](#) [640179-1](#) [M55155/059I03](#) [M55155/079C01](#) [M55155/099H02](#) [M55155/109H01](#) [M55155/109H02](#) [M55155/12XH05](#) [M55155/16XH02](#) [M55155/29-5S](#)