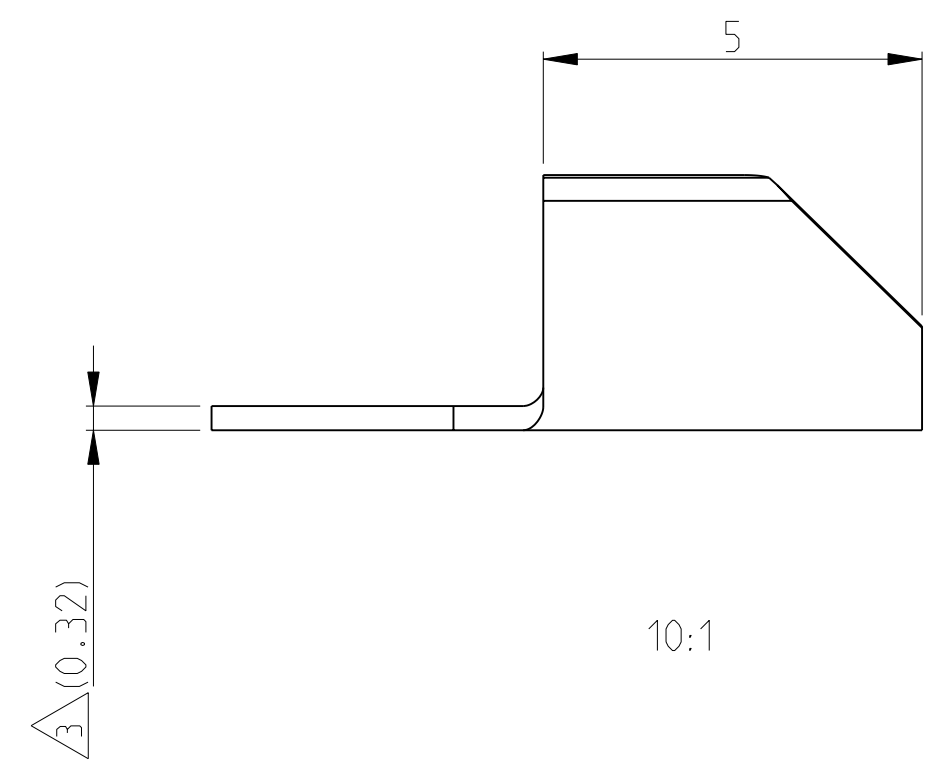
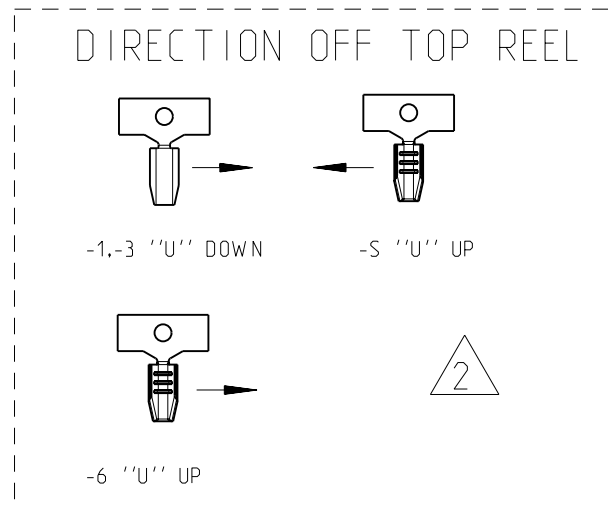
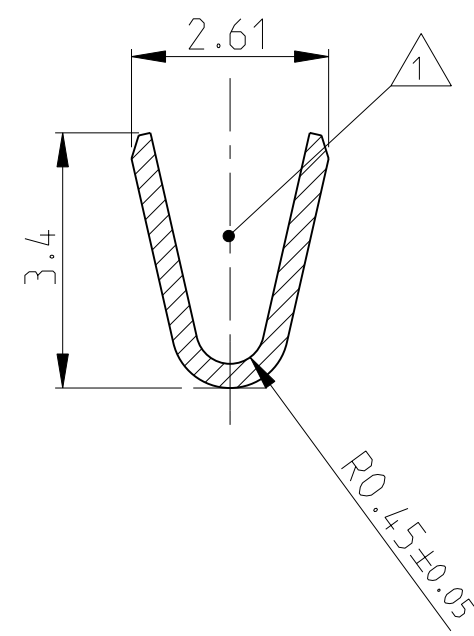
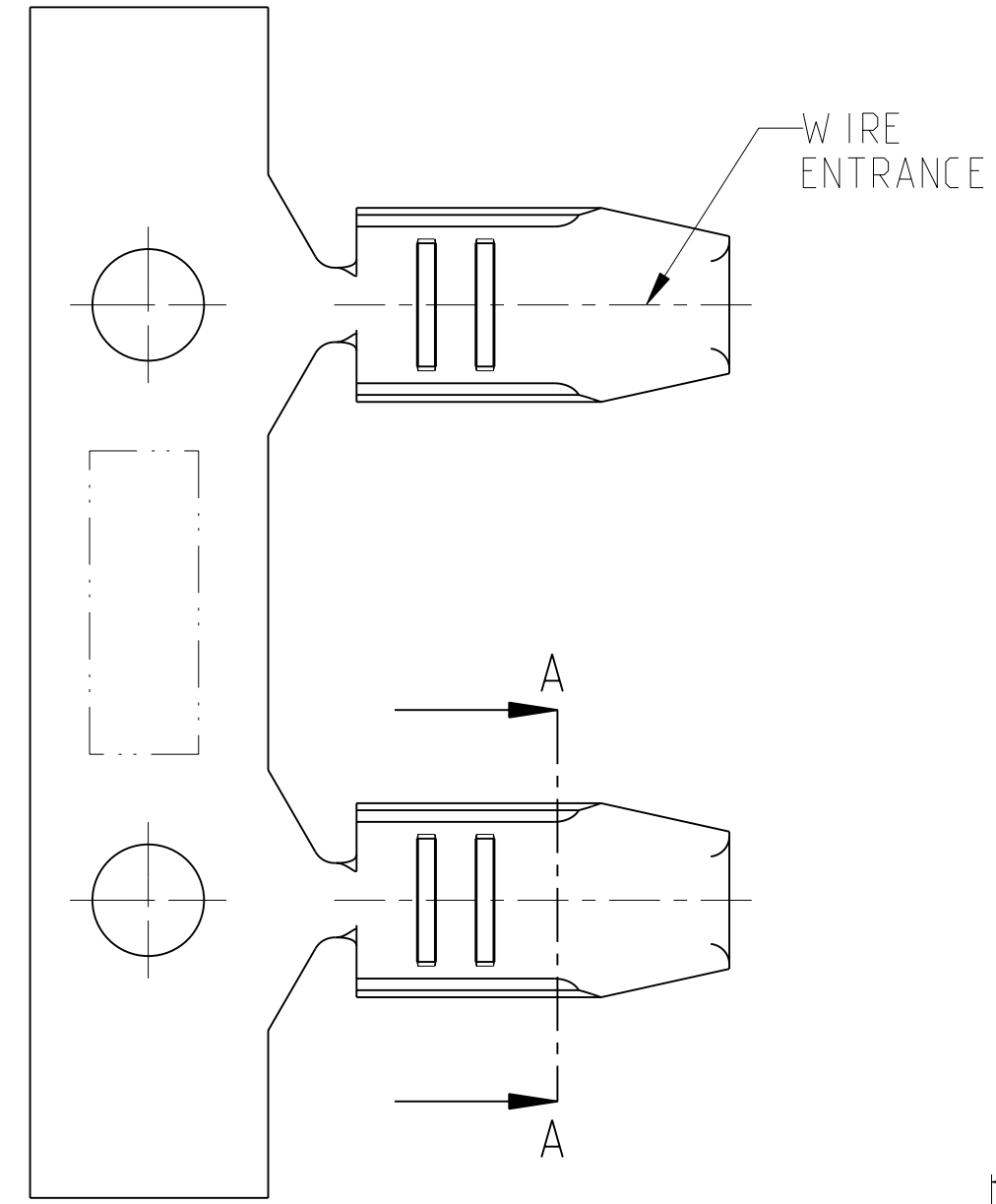
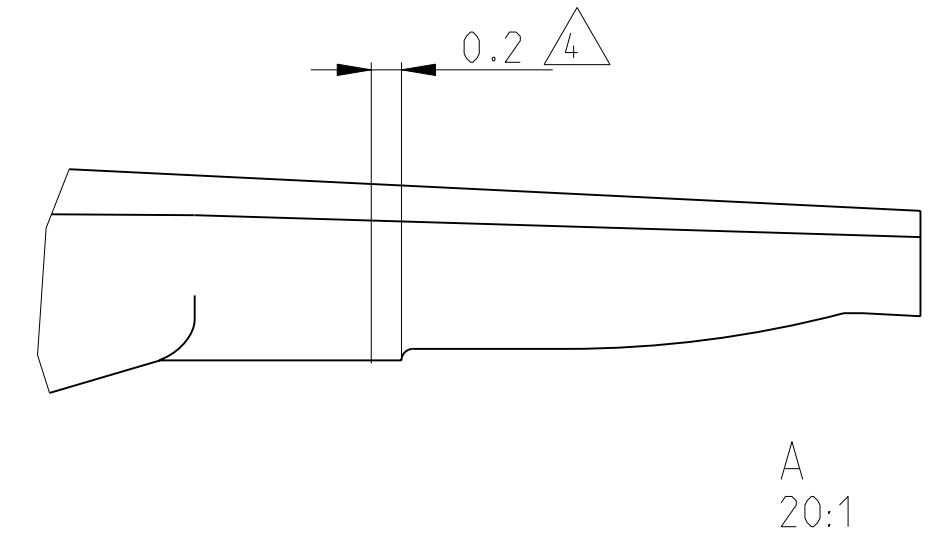
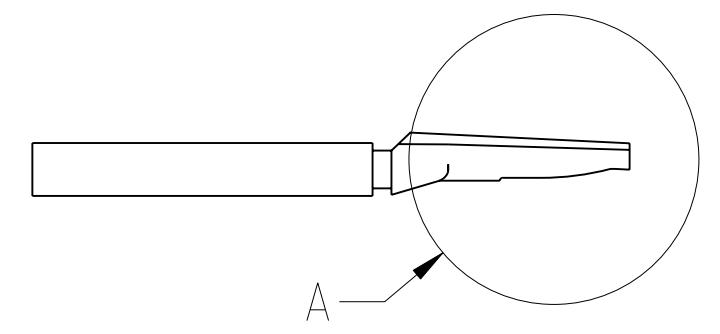


THIS DRAWING IS UNPUBLISHED. RELEASED FOR PUBLICATION 2009  
 © COPYRIGHT 2009 ALL RIGHTS RESERVED.

LOC		DIST		REVISIONS			
P	LTR	DESCRIPTION	DATE	DWN	APVD		
		N2	REDRAWN TO PRO_E AND NOTES UPDATED	13.03.2009	DZ	TK	
		N3	APPLICATION SPEC. INFO ADDED	14APR2010	PKS	RRP	
		N4	ECR-10-022530	07JUN2011	KK	HMR	



SHOWN IS CRIMPED CABLE ASSY.



- USING STRANDED WIRE IN COMBINATION WITH MAGNET WIRE  
 WIRE RANGE: 255.....1855 CMA (0,13.....0,93mm<sup>2</sup>)  
 Means 26...18 AWG (0,13....0,82 mm<sup>2</sup>)  
 40...26 AWG MAGNET WIRE.  
 USING TINNED LEAD WIRE.  
 WIRE RANGE: 255...1855 CMA (0,13...0,93 mm<sup>2</sup>)  
 USING COPPER LEAD WIRE.  
 WIRE RANGE: 1250...1855 CMA (0,63...0,93 mm<sup>2</sup>)
- DIRECTION OFF TOP OF REEL
- STOCK THICKNESS  
 0,32±0,02
- MEASURING POSITION FOR CRIMP HEIGHT (CH)
- CRIMP HEIGHT DEFINITION :  
 PRELIMINARY DEFINITION OF CH FOR MAGNET WIRE:  
 (DURING CHANGE OF SPEC.):  
 255-800 CMA : 1,17 ± 0,02  
 800 - 1200 CMA : 1,22 ± 0,05  
 1200 - 1855 CMA : 1,30 ± 0,05
- PERMITTED CONTACT RESISTANCE AT NEW PART: ΔR ≤ 20 mΩ  
 ESPECIALLY AT MAGNET WIRES D < 0,3 mm THE FREE WIRE LENGHT  
 IN THE AMPLIVAR IS TO BE CONSIDERED#

FINISH	MATERIAL	PART NO	REV
PRETINNED	BRASS	160631-6	N
PRETINNED	BRASS	<del>160631-5</del>	N
PRETINNED	BRASS	160631-3	N
FINISH	MATERIAL	PART NO	REV

THIS DRAWING IS A CONTROLLED DOCUMENT.		DWN D.Zersen 13.03.2009	TE Connectivity MINIATURE AMPLIVAR SPLICE		
DIMENSIONS: mm		CHK H.Ballmert 13.03.2009			NAME
TOLERANCES UNLESS OTHERWISE SPECIFIED:		APVD T.Klenner 13.03.2009			PRODUCT SPEC
0 PLC ±0,2 1 PLC ±0,2 2 PLC ±0,2 3 PLC ±0,2 4 PLC ±0,2		APPLICATION SPEC			114-2006
MATERIAL		FINISH	WEIGHT	SIZE A2	
				CAGE CODE 00779	
				DRAWING NO C=160631	
				RESTRICTED TO	
				SCALE 5:1 SHEET 1 OF 1 REV N4	
				CUSTOMER DRAWING	

## X-ON Electronics

Largest Supplier of Electrical and Electronic Components

*Click to view similar products for [Terminals](#) category:*

*Click to view products by [TE Connectivity](#) manufacturer:*

Other Similar products are found below :

[HT-13-10](#) [71M-250-32-NB](#) [01-2065-1-0216](#) [00581P0075](#) [M10-10RX](#) [M10BCK](#) [60205-1](#) [604200-1](#) [60598-1-CUT-TAPE](#) [60617-1-C](#) [60873-1](#) [M14-516R/SK](#) [M14-6RSX](#) [M18-8FBX](#) [M18-8R/LX](#) [M18BCK](#) [61314-6-C](#) [61-S](#) [61-SN-A](#) [62-NBM-A](#) [63-S](#) [640179-1](#) [640917-2-CUT-TAPE](#) [6501550002](#) [66107-2-C](#) [696683-1](#) [696834-1](#) [696861-1](#) [696931-1](#) [696999-1](#) [M8-516RK](#) [M86700006](#) [MA250DMFMX-A](#) [701-2007](#) [701-2307](#) [701-7761-03](#) [70F-110-32-PB](#) [718-N-A](#) [71M-187-20-NBL](#) [71M-250-32-NBL](#) [72F-187-20-NBL](#) [72M-250-32-NBL](#) [7310](#) [73F-250-32](#) [73F-250-32-NL](#) [F14-10C](#) [F-1M](#) [751-250](#) [76650-5002](#) [76828-149](#)