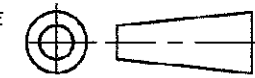


DO NOT SCALE  
DIMENSIONS IN mm

METRIC

THIRD ANGLE  
PROJECTION



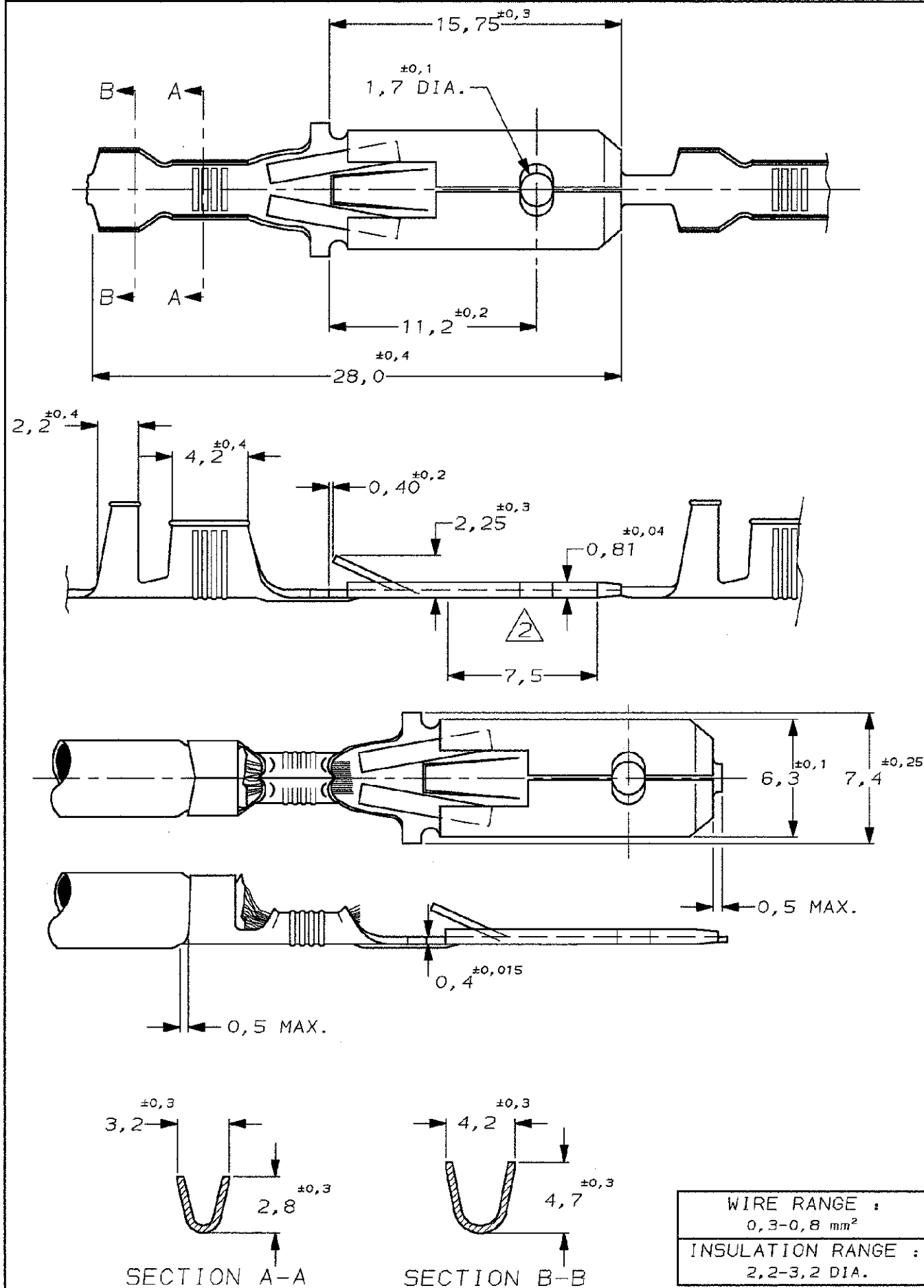
NOTES:

1 FOR USE ON MINIATURE APPLICATORS (LEFT-RIGHT FEED)  
AMP-O-MATOR APPLICATION.

2 DIM 0,81<sup>±0,04</sup> TO BE MEASURED OVER A LENGTH 7,5mm  
AS INDICATED

3 OBSOLETE PARTS: OBSOLETE CIS STREAMLINING PER D.RENAUD/D.SINISI

UNPUBLISHED DRAWING : AMP RIGHTS RESERVED  
This drawing is supplied to.....  
.....for use by  
.....  
or its nominated suppliers for the purpose  
of inspecting AMP-PRODUCTS.  
AMP-HOLLAND B.V.  
DATE.....  
SIGNATURE.....



REV	PER	ECO-10-000444	KK	AEG	09JAN10	NAME	FINISH			MATERIAL			PARTNUMBER		
							UNPLATED		PH. BRONZE					160645-3	
							TINPLATED		BRASS					160645-2	
							UNPLATED		BRASS					160645-1	
RESTRICTED CUSTOMER FOR REFERENCE ONLY WILL NOT BE UPDATED							© COPYRIGHT 19- BY AMP HOLLAND B.V. ALL INTERNATIONAL RIGHTS RESERVED. AMP PRODUCTS MAY BE COVERED BY U.S. AND FOREIGN AND/OR PATENTS PENDING. THIS DRAWING IS UNPUBLISHED RELEASED FOR PUBLICATION								
AMP							AMP HOLLAND B.V. 's-Hertogenbosch, The Netherlands.								
01	REV PER	EH-0933-97	D.K.	R.V.	27 AUG 97	.250 SRS FASTIN-FASTON TAB									
LTR. REVISION RECORD							DR. CHK. DATE								
DR.: D. KESSLER			CHK.: R. VOS			APP.: -			DWG.No.			REV.LTR. SHEET			
DATE: 27 AUG 97			DATE: -			DATE: -			C-160645			01 1 OF 1			

## X-ON Electronics

Largest Supplier of Electrical and Electronic Components

*Click to view similar products for [Terminals](#) category:*

*Click to view products by [TE Connectivity](#) manufacturer:*

Other Similar products are found below :

[00-054007-01074-6](#) [00-054007-70206-1](#) [00-054007-70210-8](#) [00-054007-70217-7](#) [00-054007-70226-9](#) [00-054007-70228-3](#) [00-054007-70248-1](#) [00-054007-70256-6](#) [00-054007-70301-3](#) [00-054007-70316-7](#) [00-054007-49560-4](#) [00-054007-70209-2](#) [00-054007-70225-2](#) [00-054007-70227-6](#) [00-054007-70231-3](#) [00-054007-70241-2](#) [00-054007-70242-9](#) [00-054007-70244-3](#) [00-054007-70246-7](#) [00-054007-70263-4](#) [00-054007-70288-7](#) [00-054007-70290-0](#) [00-054007-70300-6](#) [00-054007-70304-4](#) [01-2065-1-0216](#) [01-2900-1-04412](#) [00581P0075](#) [600TS-10](#) [60205-1](#) [604200-1](#) [605601-1](#) [60598-1-CUT-TAPE](#) [61314-6-C](#) [61810-3](#) [61-S](#) [61-SN](#) [626-0194](#) [62-NBM-A](#) [62-SN](#) [62-SP](#) [63-S](#) [640179-1](#) [M55155/059I03](#) [M55155/079C01](#) [M55155/099H02](#) [M55155/109H01](#) [M55155/109H02](#) [M55155/12XH05](#) [M55155/16XH02](#) [M55155/29-5S](#)