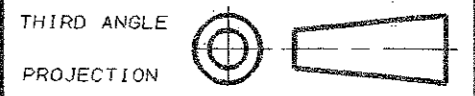
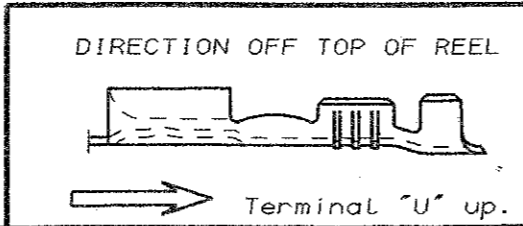
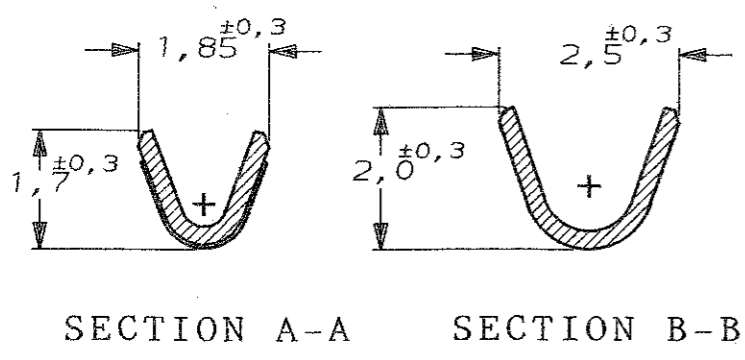
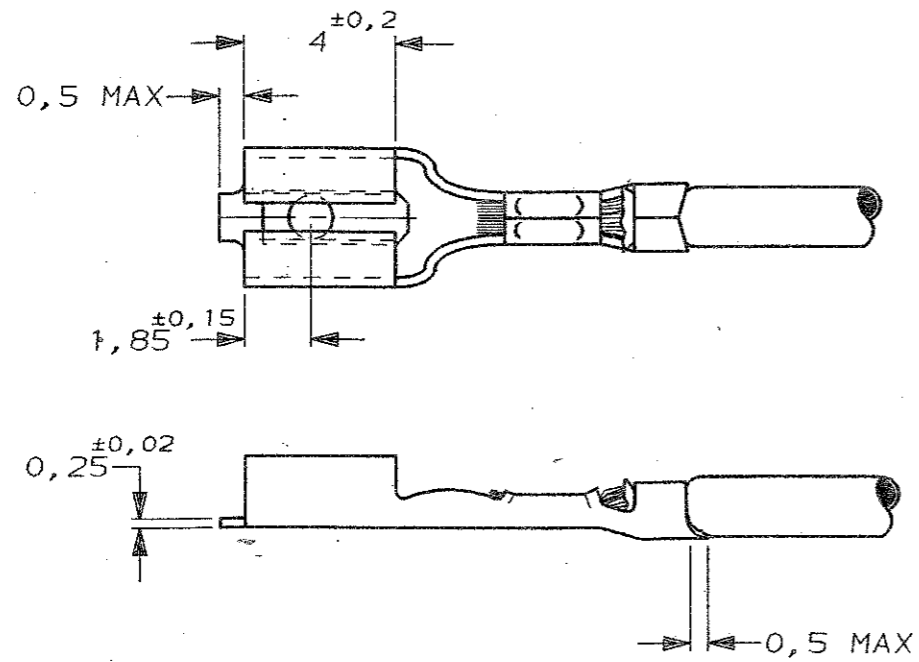
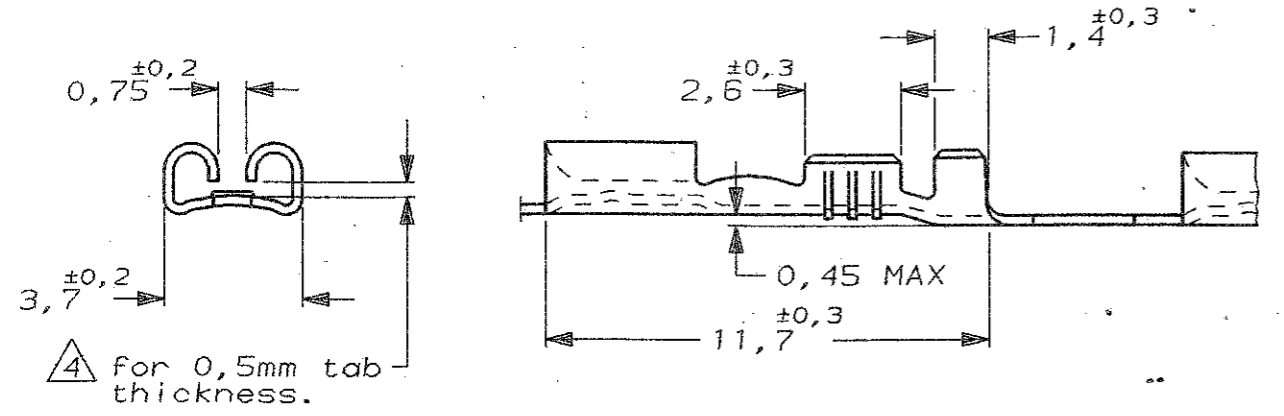
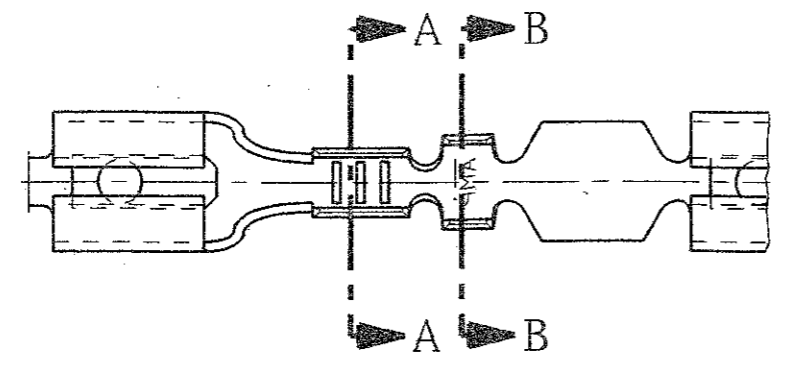


DO NOT SCALE
DIMENSIONS IN mm

METRIC



REVISION				
LTR	DESCRIPTION	DATE	DWN	APVD
K1	REV PER ECO-09-022178	17DEC09	KK	AEG



NOTES

- △1 FOR USE ON MINIATURE APPLICATORS (LEFT-RIGHT FEED) AND STANDARD APPLICATORS (RIGHT-LEFT FEED).
- △2 BRASS ACC ASTM B36 ALLOY 260.
- △3 PH.BRONZE ACC ASTM B103.
- △4 GAGE 0,45 MUST NOT ENTER , GAGE 0,33 MUST ENTER.
- △5 OBSOLETE PARTS: OBSOLETE CIS STREAMLINING PER D.RENAUD/D.SINISI

NOTES	FINISH	MATERIAL	PARTNUMBER
△1 △2	TINPLATED	BRASS	160666-5
△1 △3	TINPLATED	PH.BRONZE	160666-4
△1 △2	UNPLATED	BRASS	160666-3
△1 △3	GOLDPLATED	PH.BRONZE	160666-2
△1 △3	UNPLATED	PH.BRONZE	160666-1

CUSTOMER DRAWING

FOR REFERENCE ONLY
WILL NOT BE UPDATED

AMP AMP-HOLLAND B.V.
s-Hertogenbosch, The Netherlands.

THIS DRAWING IS UNPUBLISHED RELEASED FOR PUBLICATION oct , 1986

© COPYRIGHT 1986 BY AMP-HOLLAND B.V.
ALL INTERNATIONAL RIGHTS RESERVED.
AMP PRODUCTS MAY BE COVERED BY U.S. AND FOREIGN PATENTS AND/OR PATENTS PENDING.

DR.	DATE	WIRE RANGE	NAME	REV. DATE
R.v.Lokven	06.10.86	0,12-0,35mm ²	.110 SRS FASTON RECEPTACLE. (short version).	D M Y
CHK. A.B.	07.10.86	INSUL. RANGE 0,9-1,6mmDIA		06 10 86
APP. L.v.Soest	07.10.86	SIZE A3	SHEET 1 OF 1	DWG. No. C-160666
				REV. LTR. R1 K1

8 | 7 | 6 | 5 | 4 | 3 | 2 | 1

X-ON Electronics

Largest Supplier of Electrical and Electronic Components

Click to view similar products for [Terminals](#) category:

Click to view products by [TE Connectivity](#) manufacturer:

Other Similar products are found below :

[00-054007-01074-6](#) [00-054007-70206-1](#) [00-054007-70210-8](#) [00-054007-70217-7](#) [00-054007-70226-9](#) [00-054007-70228-3](#) [00-054007-70248-1](#) [00-054007-70256-6](#) [00-054007-70301-3](#) [00-054007-70316-7](#) [0-0320562-0](#) [00-054007-49560-4](#) [00-054007-70209-2](#) [00-054007-70225-2](#) [00-054007-70227-6](#) [00-054007-70231-3](#) [00-054007-70241-2](#) [00-054007-70242-9](#) [00-054007-70244-3](#) [00-054007-70246-7](#) [00-054007-70263-4](#) [00-054007-70288-7](#) [00-054007-70290-0](#) [00-054007-70300-6](#) [00-054007-70304-4](#) [01-2065-1-0216](#) [01-2900-1-04412](#) [00581P0075](#) [600TS-10](#) [60205-1](#) [604200-1](#) [605601-1](#) [60598-1-CUT-TAPE](#) [61314-6-C](#) [61810-3](#) [61-S](#) [61-SN](#) [626-0194](#) [62-NBM-A](#) [62-SN](#) [62-SP](#) [63-S](#) [640179-1](#) [M55155/059I03](#) [M55155/079C01](#) [M55155/099H02](#) [M55155/109H01](#) [M55155/109H02](#) [M55155/12XH05](#) [M55155/16XH02](#)