

4

3

2

1

THIS DRAWING IS UNPUBLISHED.

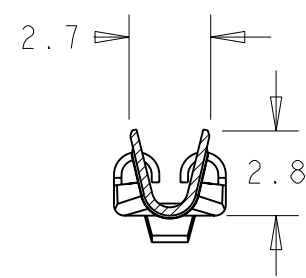
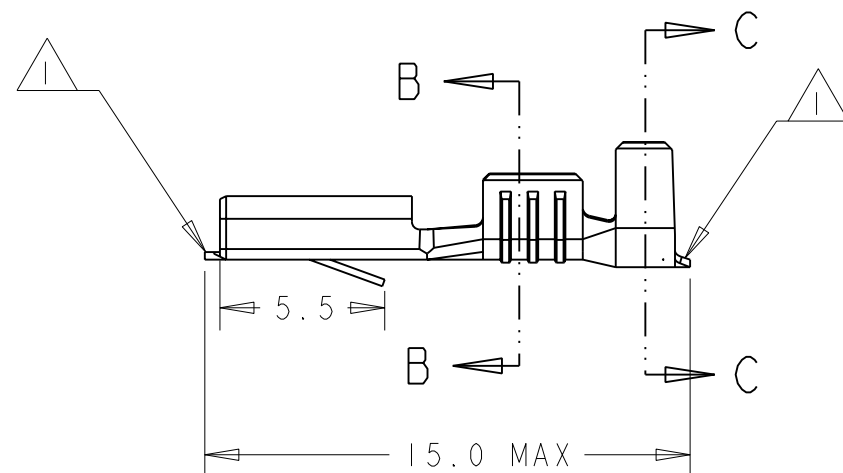
RELEASED FOR PUBLICATION

20

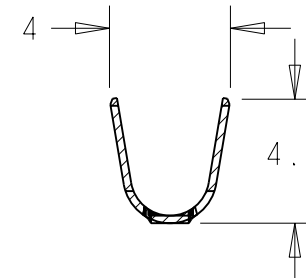
© COPYRIGHT 20

ALL RIGHTS RESERVED.

LOC	DIST	REVISIONS				
P	LTR	DESCRIPTION	DATE	DWN	APVD	
B	E	B	FIRST ISSUE	19/08/08	MJG	-
		B1	REVISED PER ECO-10-000444	09JAN10	KK	AEG
		B2	ECR-10-022530	17JUN2011	KK	HMR



SECTION B-B




SECTION C-C

NOTES:

- 1 MAX CUT OFF TAB 0.5mm
- 2. WIRE SIZE 0.5 - 1.5mm<sup>2</sup>
- 3. FOR FURTHER INFORMATION REFER TO DRAWING NO 160655
- 4. FOR USE WITH 0.8mm TAB
- 5 OBSOLETE PARTS: OBSOLETE CIS STREAMLINING PER D.RENAUD/D.SINISI

	TIN ELECTROPLATE	BRASS	160668-6
	SILVER ELECTROPLATE	BRASS	160668-5
OBSOLETE	PRE-TINNED (HOT DIPPED)	PHOSPHOR BRONZE	<del>160668-4</del>
		PHOSPHOR BRONZE	<del>160668-3</del>
	PRE-TINNED (HOT DIPPED)	BRASS	160668-2
5 OBSOLETE		BRASS	<del>160668-1</del>
	FINISH	MATERIAL	PART NO

THIS DRAWING IS A CONTROLLED DOCUMENT.		DWN M. GREENER 19AUG2008	 TE Connectivity	
DIMENSIONS: mm		CHK J. AMBROSE 19AUG2008		
TOLERANCES UNLESS OTHERWISE SPECIFIED:		APVD J. AMBROSE 19AUG2008	NAME .110 SERIES FASTIN FASTON RECEPTACLE (LOOSE PIECE)	
0 PLC ±0.5 1 PLC ±0.5 2 PLC ±0.5 3 PLC ±0.5 4 PLC ±0.5 ANGLES ±0.5		PRODUCT SPEC 108-20020	SIZE CAGE CODE DRAWING NO RESTRICTED TO	
MATERIAL SEE TABLE		APPLICATION SPEC 114-3118	A300779 C=160668	
FINISH -		WEIGHT -	SCALE 4:1 SHEET 1 OF 1 REV B2	
CUSTOMER DRAWING				

## X-ON Electronics

Largest Supplier of Electrical and Electronic Components

*Click to view similar products for [Terminals](#) category:*

*Click to view products by [TE Connectivity](#) manufacturer:*

Other Similar products are found below :

[00-054007-01074-6](#) [00-054007-70206-1](#) [00-054007-70210-8](#) [00-054007-70217-7](#) [00-054007-70226-9](#) [00-054007-70228-3](#) [00-054007-70248-1](#) [00-054007-70256-6](#) [00-054007-70301-3](#) [00-054007-70316-7](#) [0-0320562-0](#) [00-054007-49560-4](#) [00-054007-70209-2](#) [00-054007-70225-2](#) [00-054007-70227-6](#) [00-054007-70231-3](#) [00-054007-70241-2](#) [00-054007-70242-9](#) [00-054007-70244-3](#) [00-054007-70246-7](#) [00-054007-70263-4](#) [00-054007-70288-7](#) [00-054007-70290-0](#) [00-054007-70300-6](#) [00-054007-70304-4](#) [01-2065-1-0216](#) [01-2900-1-04412](#) [00581P0075](#) [600TS-10](#) [60205-1](#) [604200-1](#) [605601-1](#) [60598-1-CUT-TAPE](#) [61314-6-C](#) [61810-3](#) [61-S](#) [61-SN](#) [626-0194](#) [62-NBM-A](#) [62-SN](#) [62-SP](#) [63-S](#) [640179-1](#) [M55155/059I03](#) [M55155/079C01](#) [M55155/099H02](#) [M55155/109H01](#) [M55155/109H02](#) [M55155/12XH05](#) [M55155/16XH02](#)