

4

3

2

1

THIS DRAWING IS UNPUBLISHED.

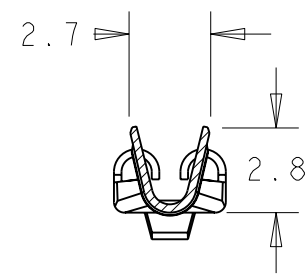
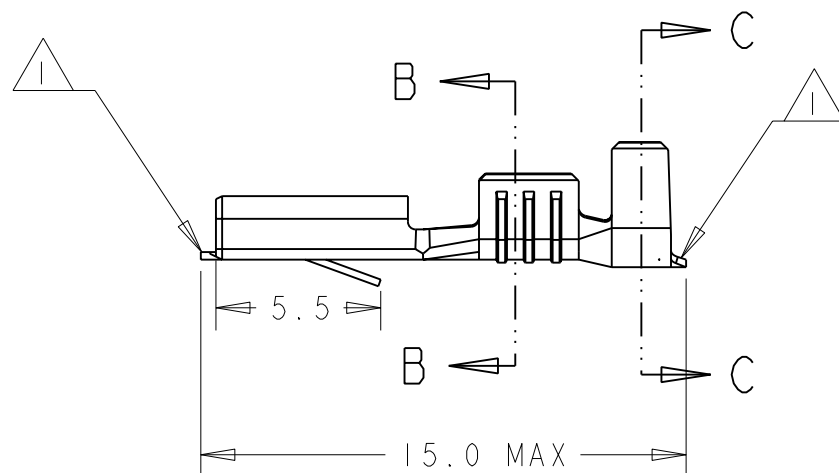
RELEASED FOR PUBLICATION

20

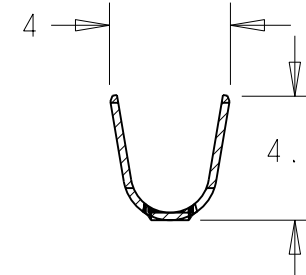
© COPYRIGHT 20

ALL RIGHTS RESERVED.

LOC	DIST	REVISIONS				
P	LTR	DESCRIPTION	DATE	DWN	APVD	
B	E	B	FIRST ISSUE	19/08/08	MJG	-
		B1	REVISED PER ECO-10-000444	09JAN10	KK	AEG
		B2	ECR-10-022530	17JUN2011	KK	HMR



SECTION B-B




SECTION C-C

NOTES:

- 1 MAX CUT OFF TAB 0.5mm
- 2. WIRE SIZE 0.5 - 1.5mm<sup>2</sup>
- 3. FOR FURTHER INFORMATION REFER TO DRAWING NO 160655
- 4. FOR USE WITH 0.8mm TAB
- 5 OBSOLETE PARTS: OBSOLETE CIS STREAMLINING PER D.RENAUD/D.SINISI

	TIN ELECTROPLATE	BRASS	160668-6
	SILVER ELECTROPLATE	BRASS	160668-5
OBSOLETE	PRE-TINNED (HOT DIPPED)	PHOSPHOR BRONZE	<del>160668-4</del>
		PHOSPHOR BRONZE	<del>160668-3</del>
	PRE-TINNED (HOT DIPPED)	BRASS	160668-2
5 OBSOLETE		BRASS	<del>160668-1</del>
	FINISH	MATERIAL	PART NO

THIS DRAWING IS A CONTROLLED DOCUMENT.		DWN M. GREENER 19AUG2008	 TE Connectivity	
DIMENSIONS: mm		CHK J. AMBROSE 19AUG2008		
TOLERANCES UNLESS OTHERWISE SPECIFIED:		APVD J. AMBROSE 19AUG2008		
0 PLC ±0.5 1 PLC ±0.5 2 PLC ±0.5 3 PLC ±0.5 4 PLC ±0.5 ANGLES ±0.5 FINISH -		PRODUCT SPEC 108-20020		
MATERIAL SEE TABLE		APPLICATION SPEC 114-3118	NAME .110 SERIES FASTIN FASTON RECEPTACLE (LOOSE PIECE)	
		WEIGHT -	SIZE A3	CAGE CODE 00779
		CUSTOMER DRAWING	DRAWING NO C-160668	RESTRICTED TO -
			SCALE 4:1	SHEET 1 OF 1 REV B2

## X-ON Electronics

Largest Supplier of Electrical and Electronic Components

*Click to view similar products for [Terminals](#) category:*

*Click to view products by [TE Connectivity](#) manufacturer:*

Other Similar products are found below :

[HT-13-10](#) [71M-250-32-NB](#) [01-2065-1-0216](#) [00581P0075](#) [M10-10RX](#) [M10BCK](#) [60205-1](#) [604200-1](#) [60598-1-CUT-TAPE](#) [60617-1-C](#) [60873-1](#) [M14-516R/SK](#) [M14-6RSX](#) [M18-8FBX](#) [M18-8R/LX](#) [M18BCK](#) [61314-6-C](#) [61-S](#) [61-SN-A](#) [62-NBM-A](#) [63-S](#) [640179-1](#) [640917-2-CUT-TAPE](#) [6501550002](#) [66107-2-C](#) [696683-1](#) [696834-1](#) [696861-1](#) [696931-1](#) [696999-1](#) [M8-516RK](#) [M86700006](#) [MA250DMFMX-A](#) [701-2007](#) [701-2307](#) [701-7761-03](#) [70F-110-32-PB](#) [718-N-A](#) [71M-187-20-NBL](#) [71M-250-32-NBL](#) [72F-187-20-NBL](#) [72M-250-32-NBL](#) [7310](#) [73F-250-32](#) [73F-250-32-NL](#) [F14-10C](#) [F-1M](#) [751-250](#) [76650-5002](#) [76828-149](#)