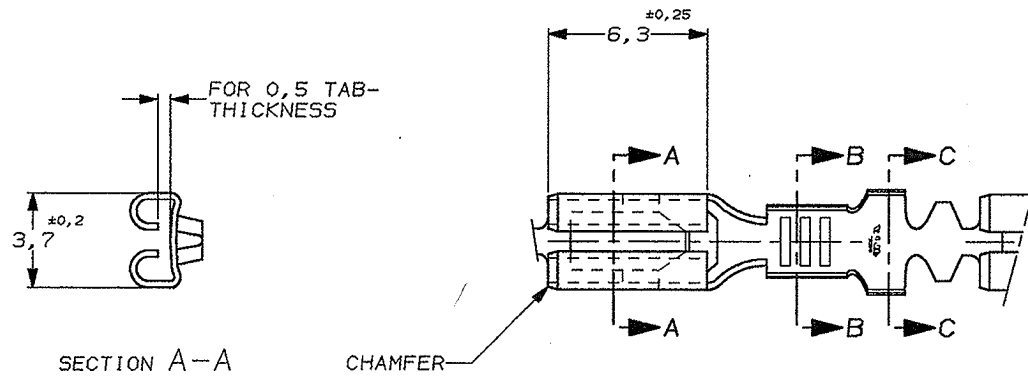


DO NOT SCALE
DIMENSIONS IN mm

METRIC

THIRD ANGLE
PROJECTION

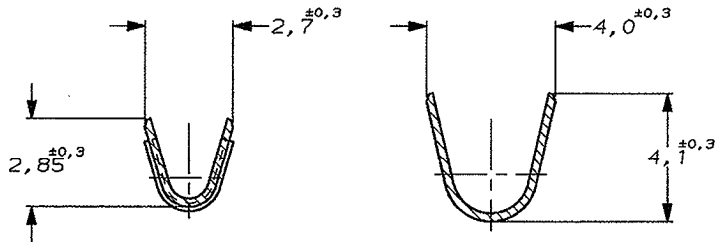
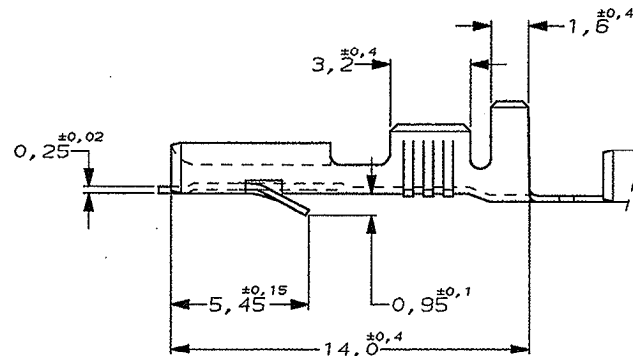
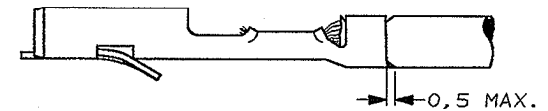
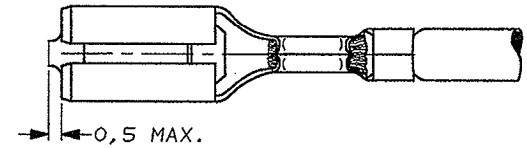


SECTION A-A

CHAMFER

NOTES:

- ⚠ FOR USE ON MINIATURE APPLICATORS (LEFT-RIGHT FEED).
- ⚠ FOR USE ON MINIATURE APPLICATORS (LEFT-RIGHT FEED; AMP-O-MATOR APPLICATION).
- ⚠ REELED WITH PAPERCOVER.
- ⚠ OBSOLETE PARTS: OBSOLETE CIS STREAMLINING PER D.RENAUD/D.SINISI



SECTION B-B

SECTION C-C

WIRE RANGE :
0,5-1,0 mm²
INSULATION RANGE :
2,0-3,0 DIA.

⚠ OBSOLETE OBSOLETE	SILVERPLATED	PHOSPHORBRONZE	1	160684-9	W
	SILVERPLATED	BRASS	1	160684-8	W
	PRE-TIN	BRASS	1 3	160684-7	W
	PRE-TIN	BRASS	1	160684-4	W
	UNPLATED	BRASS	1	160684-3	W
	PRE-TIN	PHOSPHORBRONZE	1 2	160684-2	W
	OBSOLETE	UNPLATED	PHOSPHORBRONZE	1	160684-1

				FINISH	MATERIAL	PARTNUMBER	REV
-	-	-	-	-	-	-	-
W3	PART STATUS UPDATED	PKS	RRP	14MAR13	CUSTOMER DRAWING FOR REFERENCE ONLY WILL NOT BE UPDATED		
W2	ECR-10-022530	KK	HMR	03FEB11	© COPYRIGHT 19- BY TE HOLLAND B.V. ALL INTERNATIONAL RIGHTS RESERVED. TE PRODUCTS MAY BE COVERED BY U.S. AND FOREIGN AND/OR PATENTS PENDING.		
W1	REVISED PER ECO-10-000444	KK	AEG	09JAN10	THIS DRAWING IS UNPUBLISHED RELEASED FOR PUBLICATION		
W	ECR-05-003026	HY	GT	06 OCT 05	TE Connectivity		
L	EH-1513-98	D.K.	A.B.	24 SEP 98	NAME		
K	EH-0791-97	D.K.	R.V.	21 JUL 97	.110 SER. FASTIN-ON RECEPTACLE		
LTR.	REVISION RECORD	DR.	CHK.	DATE			
DR.	D. KESSLER	CHK.	R. VOS	APP.	DWG. No.		
DATE:	21 JUL 97	DATE:	-	DATE:	C-160684		
				A3		SHEET	REV.
				1 OF 1		W3	

X-ON Electronics

Largest Supplier of Electrical and Electronic Components

Click to view similar products for [Terminals](#) category:

Click to view products by [TE Connectivity](#) manufacturer:

Other Similar products are found below :

[HT-13-10](#) [71M-250-32-NB](#) [01-2065-1-0216](#) [00581P0075](#) [M10-10RX](#) [M10BCK](#) [60205-1](#) [604200-1](#) [60598-1-CUT-TAPE](#) [60617-1-C](#) [60873-1](#) [M14-516R/SK](#) [M14-6RSX](#) [M18-8FBX](#) [M18-8R/LX](#) [M18BCK](#) [61314-6-C](#) [61-S](#) [61-SN-A](#) [62-NBM-A](#) [63-S](#) [640179-1](#) [640917-2-CUT-TAPE](#) [6501550002](#) [66107-2-C](#) [696683-1](#) [696834-1](#) [696861-1](#) [696931-1](#) [696999-1](#) [M8-516RK](#) [M86700006](#) [MA250DMFMX-A](#) [701-2007](#) [701-2307](#) [701-7761-03](#) [70F-110-32-PB](#) [718-N-A](#) [71M-187-20-NBL](#) [71M-250-32-NBL](#) [72F-187-20-NBL](#) [72M-250-32-NBL](#) [7310](#) [73F-250-32](#) [73F-250-32-NL](#) [F14-10C](#) [F-1M](#) [751-250](#) [76650-5002](#) [76828-149](#)