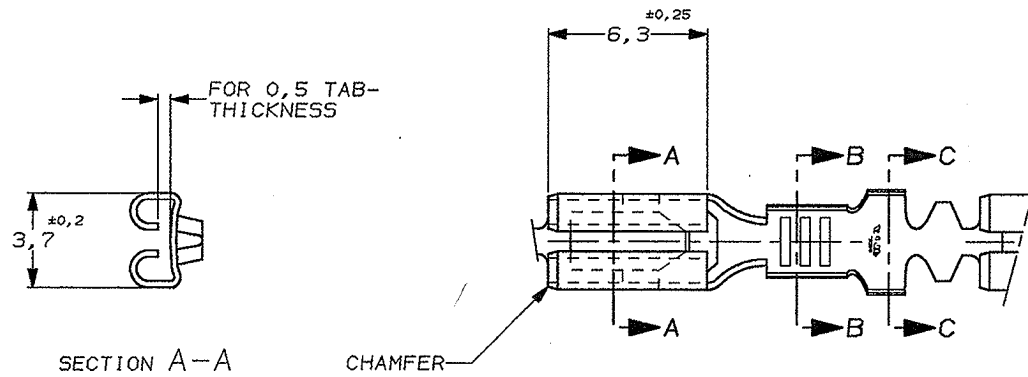


DO NOT SCALE
DIMENSIONS IN mm

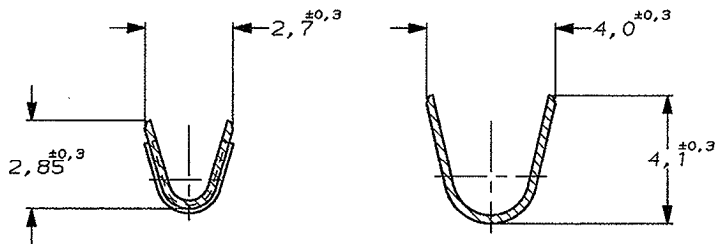
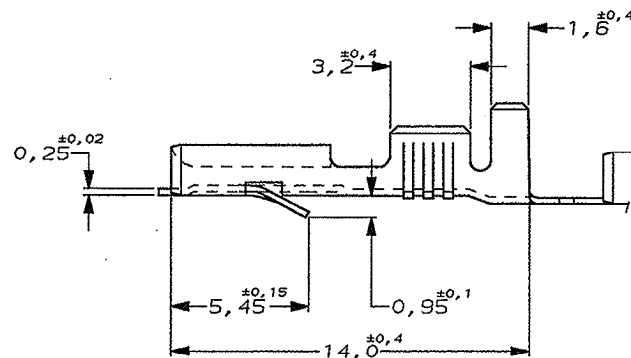
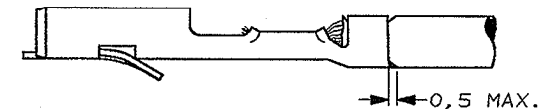
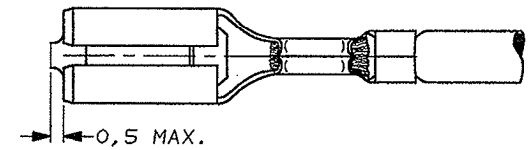
METRIC

THIRD ANGLE
PROJECTION



NOTES:

- ⚠ FOR USE ON MINIATURE APPLICATORS (LEFT-RIGHT FEED).
- ⚠ FOR USE ON MINIATURE APPLICATORS (LEFT-RIGHT FEED; AMP-O-MATOR APPLICATION).
- ⚠ REELED WITH PAPERCOVER.
- ⚠ OBSOLETE PARTS: OBSOLETE CIS STREAMLINING PER D.RENAUD/D.SINISI



WIRE RANGE :
0,5-1,0 mm²
INSULATION RANGE :
2,0-3,0 DIA.

⚠	SILVERPLATED	PHOSPHORBRONZE	1	160684-9	W
OBSOLETE	SILVERPLATED	BRASS	1	160684-8	W
OBSOLETE	PRE-TIN	BRASS	1 3	160684-7	W
	PRE-TIN	BRASS	1	160684-4	W
	UNPLATED	BRASS	1	160684-3	W
	PRE-TIN	PHOSPHORBRONZE	1 2	160684-2	W
OBSOLETE	UNPLATED	PHOSPHORBRONZE	1	160684-1	W

				FINISH		MATERIAL		PARTNUMBER		REV
-	-	-	-	-	-	-	-	CUSTOMER DRAWING		
W3	PART STATUS UPDATED	PKS	RRP	14MAR13				FOR REFERENCE ONLY WILL NOT BE UPDATED		
W2	ECR-10-022530	KK	HMR	03FEB11				© COPYRIGHT 19- BY TE HOLLAND B.V. ALL INTERNATIONAL RIGHTS RESERVED. TE PRODUCTS MAY BE COVERED BY U.S. AND FOREIGN AND/OR PATENTS PENDING.		
W1	REVISED PER ECO-10-000444	KK	AEG	09JAN10				THIS DRAWING IS UNPUBLISHED RELEASED FOR PUBLICATION		
W	ECR-05-003026	HY	GT	06 OCT 05				TE Connectivity		
L	EH-1513-98	D.K.	A.B.	24 SEP 98				NAME		
K	EH-0791-97	D.K.	R.V.	21 JUL 97				.110 SER. FASTIN-ON RECEPTACLE		
LTR.	REVISION RECORD	DR.	CHK.	DATE						
DR.	D. KESSLER	CHK.	R. VOS	APP.	-			DWG. No.		
DATE:	21 JUL 97	DATE:	-	DATE:	-			C-160684	A3	SHEET 1 OF 1

X-ON Electronics

Largest Supplier of Electrical and Electronic Components

Click to view similar products for [Terminals](#) category:

Click to view products by [TE Connectivity](#) manufacturer:

Other Similar products are found below :

[00-054007-01074-6](#) [00-054007-70206-1](#) [00-054007-70210-8](#) [00-054007-70217-7](#) [00-054007-70226-9](#) [00-054007-70228-3](#) [00-054007-70248-1](#) [00-054007-70256-6](#) [00-054007-70301-3](#) [00-054007-70316-7](#) [00-054007-49560-4](#) [00-054007-70209-2](#) [00-054007-70225-2](#) [00-054007-70227-6](#) [00-054007-70231-3](#) [00-054007-70241-2](#) [00-054007-70242-9](#) [00-054007-70244-3](#) [00-054007-70246-7](#) [00-054007-70263-4](#) [00-054007-70288-7](#) [00-054007-70290-0](#) [00-054007-70300-6](#) [00-054007-70304-4](#) [01-2065-1-0216](#) [01-2900-1-04412](#) [00581P0075](#) [600TS-10](#) [60205-1](#) [604200-1](#) [605601-1](#) [60598-1-CUT-TAPE](#) [61314-6-C](#) [61810-3](#) [61-S](#) [61-SN](#) [626-0194](#) [62-NBM-A](#) [62-SN](#) [62-SP](#) [63-S](#) [640179-1](#) [M55155/059I03](#) [M55155/079C01](#) [M55155/099H02](#) [M55155/109H01](#) [M55155/109H02](#) [M55155/12XH05](#) [M55155/16XH02](#) [M55155/29-5S](#)