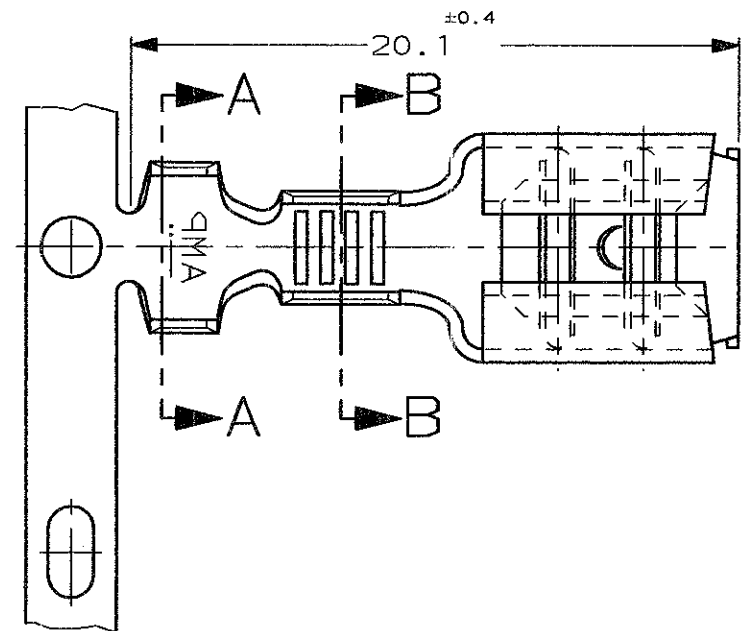
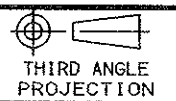


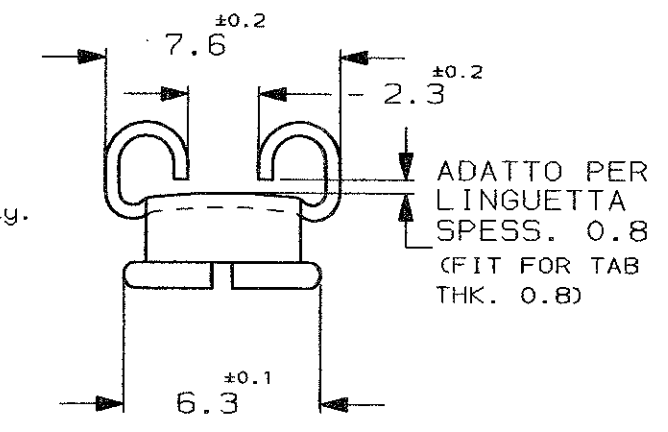
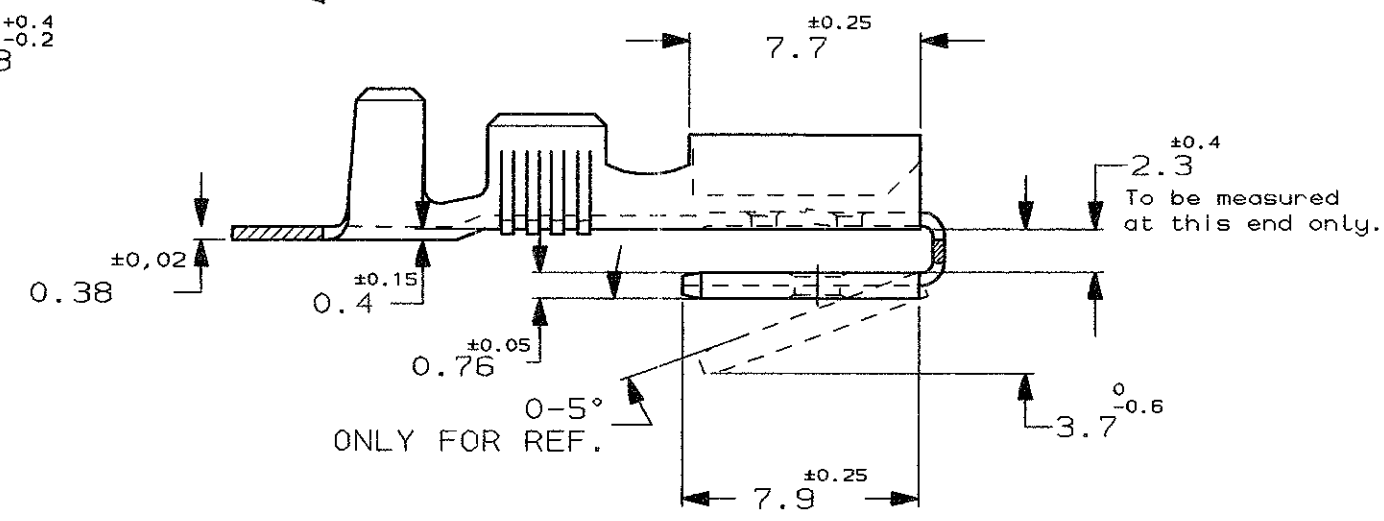
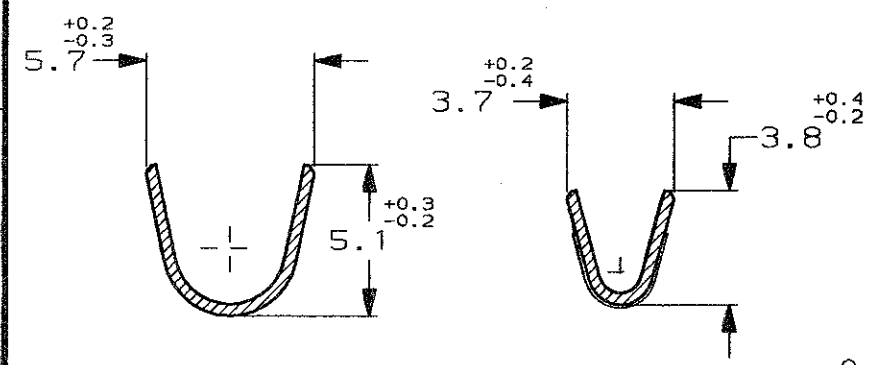
SCALA NON IMPEGNATIVA
(DO NOT SCALE)
DIMENSIONI IN mm
(DIMENSIONS IN)

METRIC



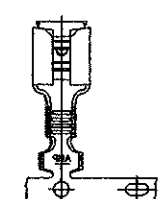
SEZIONE A-A
(SECTION A-A)

SEZIONE B-B
(SECTION B-B)



1) NON DISPONIBILE DA AMP ITALIA
(NOT AVAILABLE FROM AMP ITALY)

2) STATO DI FORNITURA
(SUPPLY CONDITION)



SENSO DI USCITA DEL TERMINALE
DALLA BOBINA
(DIRECTION OFF
TOP OF REEL)

3) SPECIFICA DI PRODOTTO 108-20019
(PRODUCT SPEC. 108-20019)

1	PRE STAGNATO (PRE TINNED)	OTTONE (BRASS)	0-160739-9
	PRE NICKELATO (PRE NICKEL PL.)	ACCIAIO (STEEL)	0-160739-6
	STAGNATO (TIN PLATED)	BRONZO FOSF. (PHOS. BRONZE)	0-160739-4
	STAGNATO (TIN PLATED)	OTTONE (BRASS)	0-160739-2
	NUDO (UNPLATED)	OTTONE (BRASS)	0-160739-1
NOTE	FINITURA / COLORE (FINISH / COLOUR)	MATERIALE (MATERIAL)	NUMERO TE CONNECTIVITY P/N

CUSTOMER DWG. FOR REFERENCE ONLY DISEGNO PER CLIENTE SOLO PER RIFERIMENTO

THIS DRAWING IS UNPUBLISHED RELEASE FOR PUBLICATION 19

TOLLERANZE, SE NON DIVERSAMENTE SPECIFICATO (TOLERANCES, UNLESS OTHERWISE SPECIFIED)	DIAM. ISOLANTE (INS. DIA. RANGE) mm	RANGO FILO (WIRE RANGE) mm2	SCALA (SCALE)
± 0.3	3.0-4.3	0.8-2.1	4:1



DIS. H. YAALI (DR.) 05 MAY 2000 DESCRIZIONE (DESCRIPTION) FASTON* Connector, .250" sr. PIGGY-BACK REC. CTC.

REV. (REV.)	REVISIONI (REVISION RECORD)	DIS. DATA (DR) (DATE)	APP. (APP.)	LOC. (LOC.)	SIZE (SIZE)	NUMERO (DWG NO)	REV. (REV.)	FOGLIO (SHEET)
						I A3 C-160739	AC2	1 DI (OF) 1

DISTRIBUZIONE (PRINT DIST.)

X-ON Electronics

Largest Supplier of Electrical and Electronic Components

Click to view similar products for [Terminals](#) category:

Click to view products by [TE Connectivity](#) manufacturer:

Other Similar products are found below :

[00-054007-01074-6](#) [00-054007-70206-1](#) [00-054007-70210-8](#) [00-054007-70217-7](#) [00-054007-70226-9](#) [00-054007-70228-3](#) [00-054007-70248-1](#) [00-054007-70256-6](#) [00-054007-70301-3](#) [00-054007-70316-7](#) [0-0320562-0](#) [00-054007-49560-4](#) [00-054007-70209-2](#) [00-054007-70225-2](#) [00-054007-70227-6](#) [00-054007-70231-3](#) [00-054007-70241-2](#) [00-054007-70242-9](#) [00-054007-70244-3](#) [00-054007-70246-7](#) [00-054007-70263-4](#) [00-054007-70288-7](#) [00-054007-70290-0](#) [00-054007-70300-6](#) [00-054007-70304-4](#) [01-2065-1-0216](#) [01-2900-1-04412](#) [00581P0075](#) [600TS-10](#) [60205-1](#) [604200-1](#) [605601-1](#) [60598-1-CUT-TAPE](#) [61314-6-C](#) [61810-3](#) [61-S](#) [61-SN](#) [626-0194](#) [62-NBM-A](#) [62-SN](#) [62-SP](#) [63-S](#) [640179-1](#) [M55155/059I03](#) [M55155/079C01](#) [M55155/099H02](#) [M55155/109H01](#) [M55155/109H02](#) [M55155/12XH05](#) [M55155/16XH02](#)