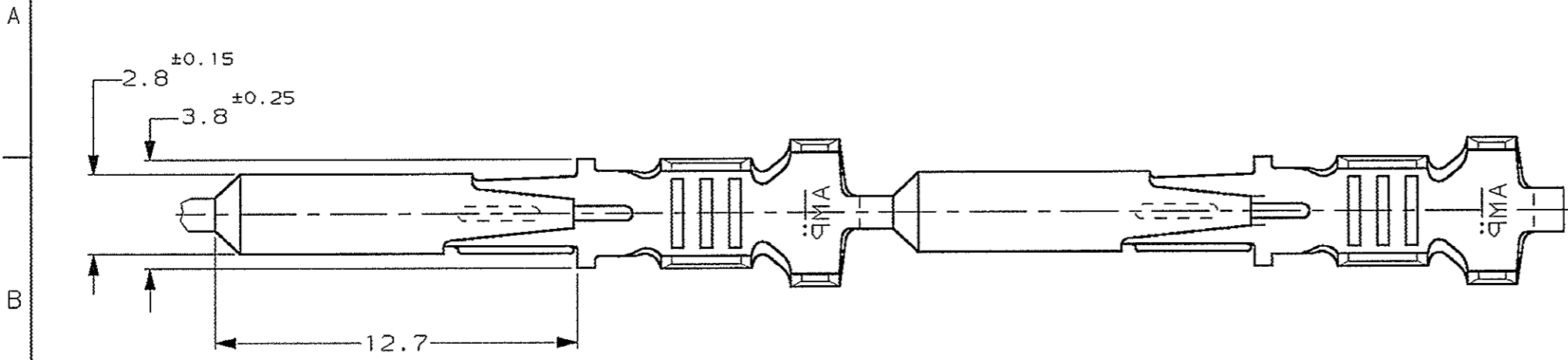
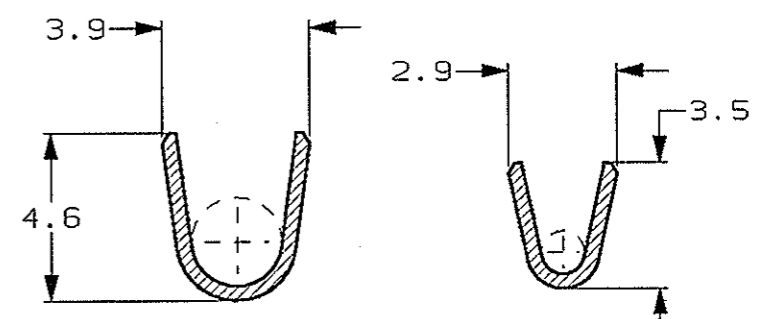
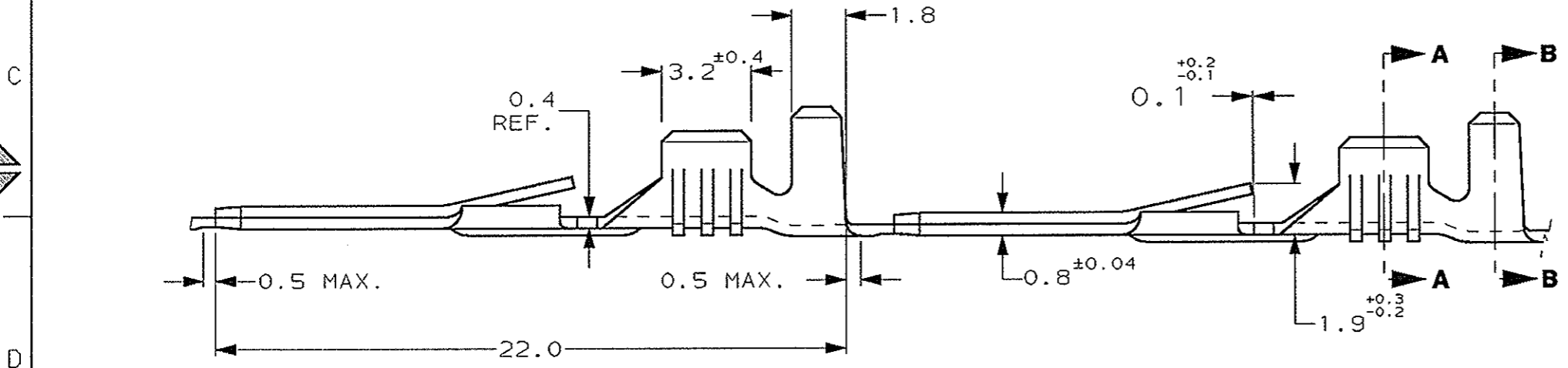


SCALA NON IMPEGNATIVA (DO NOT SCALE)
 DIMENSIONI IN mm METRIC
 PROIEZIONE EUROPEA (EUROPEAN PROJECTION)

- 1 FOR USE ON MINIATURE APPLICATORS (LEFT-RIGHT FEED).
- 2 FOR USE ON MINIATURE APPLICATORS AMP-O-MATOR APPLICATION (LEFT-RIGHT FEED)
- 3 GIUNTA TRA TERMINALI PREVISTA MEDIANTE SALDATURA (SPlice FREE)
- 3 SPECIFICA DI APPLICAZIONE 114-20021 SPECIFICA DI PRODOTTO 108-20020 (APPLICATION SPEC. 114-20021, PRODUCT SPEC. 108-20020).
- 4 OBSOLETE PARTS: OBSOLETE CIS STREAMLINING PER D.RENAUD/D.SINISI



SEZIONE B-B (SECTION B-B) SEZIONE B-B (SECTION A-A)



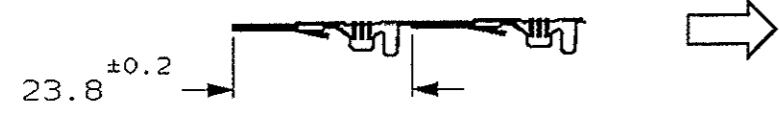
4	2	OBSOLETE	NUDO (UNPLATED)	OTTONE (BRASS)	0-160743-5	J
1			PRE STAGNATO (PRE INPLATED)	OTTONE (BRASS)	0-160743-4	L
1			NUDO (UNPLATED)	OTTONE (BRASS)	0-160743-3	J
1			PRE STAGNATO (PRE INPLATED)	BRONZO FOSFOROSO (PHOS. BRONZE)	0-160743-2	M
1			NUDO (UNPLATED)	BRONZO FOSFOROSO (PHOS. BRONZE)	0-160743-1	J
			FINITURA / COLORE (FINISH / COLOUR)	MATERIALE (MATERIAL)	NUMERO (PART NUMBER)	REV.

CUSTOMER DWG. FOR REFERENCE ONLY DISEGNO PER CLIENTE SOLO PER RIFERIMENTO

THIS DRAWING IS UNPUBLISHED RELEASE FOR PUBLICATION ON JUN 1999

STATO DI FORNITURA - SCALA 1:1 (SUPPLY CONDITION - SCALE 1:1)

SENSO DI USCITA DEL TERMINALE DALLA BOBINA (DIRECTION OFF TOP OF REEL)



TOLLERANZE: SE NON DIVERSAMENTE SPECIFICATO (TOLERANCES: UNLESS OTHERWISE SPECIFIED)	DIAM. ISOLANTE (INS. DIA. RANGE)	RANGO FILO (WIRE RANGE) mm ²	SCALA (SCALE)
± 0.3	2.3-3.0	0.5-1.5	5:1



DIS. H. YAALI (DR.) 09 JUN 99 DESCRIZIONE (DESCRIPTION) FASTIN-FASTON® Connectors .110" sr. TAB CONTACT

CONT. C. TARTARI (CHK) 09 JUN 99	LOC. SIZE NUMERO (DWS NO)	REV. FOGLIO (SHEET)
	I A3 C-160743	M2 1 01 (OF) 1

M2 REV. (REV. STA.)	REVISED PER ECO-11-005140 REVISIONI (REVISION RECORD)	RK DIS (COR)	31MAR 11 DATA (DATE)
---------------------	---	--------------	----------------------

DISTRIBUZIONE (PRINT DIST.)

X-ON Electronics

Largest Supplier of Electrical and Electronic Components

Click to view similar products for [Terminals](#) category:

Click to view products by [TE Connectivity](#) manufacturer:

Other Similar products are found below :

[00-054007-01074-6](#) [00-054007-70206-1](#) [00-054007-70210-8](#) [00-054007-70217-7](#) [00-054007-70226-9](#) [00-054007-70228-3](#) [00-054007-70248-1](#) [00-054007-70256-6](#) [00-054007-70301-3](#) [00-054007-70316-7](#) [00-054007-49560-4](#) [00-054007-70209-2](#) [00-054007-70225-2](#) [00-054007-70227-6](#) [00-054007-70231-3](#) [00-054007-70241-2](#) [00-054007-70242-9](#) [00-054007-70244-3](#) [00-054007-70246-7](#) [00-054007-70263-4](#) [00-054007-70288-7](#) [00-054007-70290-0](#) [00-054007-70300-6](#) [00-054007-70304-4](#) [01-2065-1-0216](#) [01-2900-1-04412](#) [00581P0075](#) [600TS-10](#) [60205-1](#) [604200-1](#) [605601-1](#) [60598-1-CUT-TAPE](#) [61314-6-C](#) [61810-3](#) [61-S](#) [61-SN](#) [626-0194](#) [62-NBM-A](#) [62-SN](#) [62-SP](#) [63-S](#) [640179-1](#) [M55155/059I03](#) [M55155/079C01](#) [M55155/099H02](#) [M55155/109H01](#) [M55155/109H02](#) [M55155/12XH05](#) [M55155/16XH02](#) [M55155/29-5S](#)