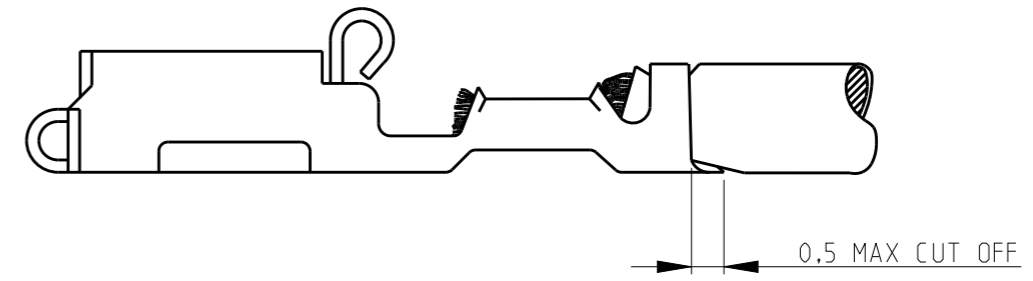
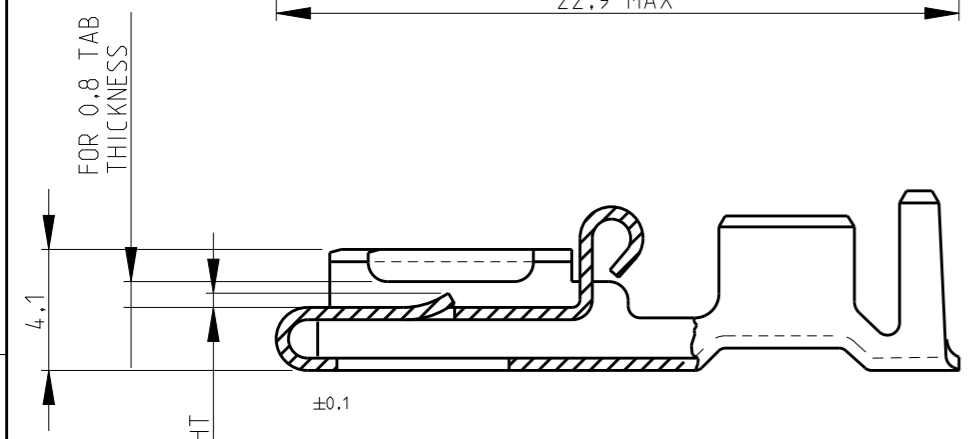
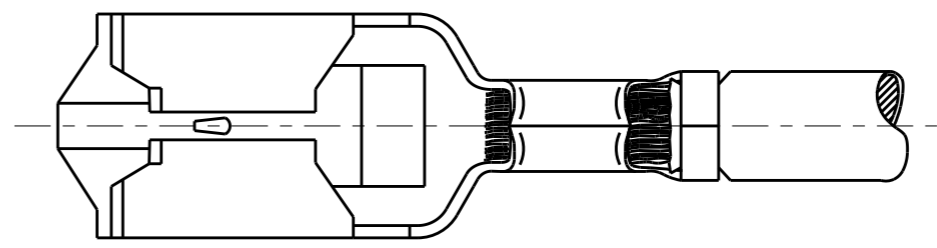
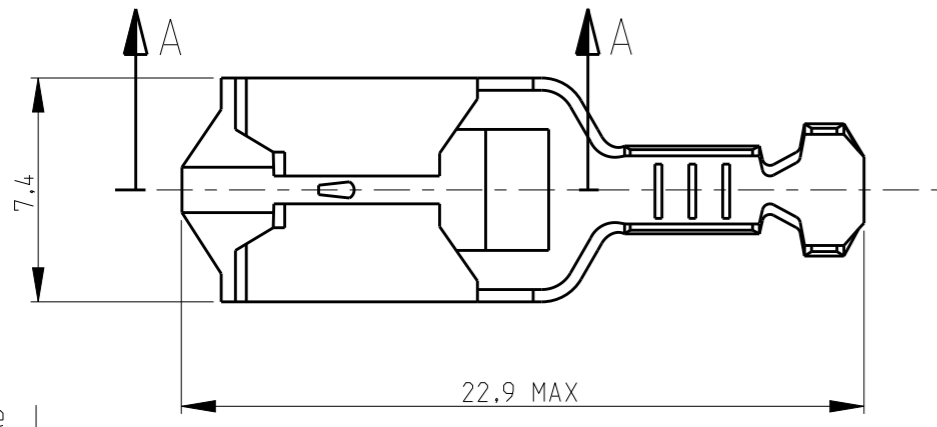


THIS DRAWING IS UNPUBLISHED. RELEASED FOR PUBLICATION
 © COPYRIGHT BY TYCO ELECTRONICS CORPORATION. ALL RIGHTS RESERVED.

| LOC | DIST | REVISIONS | | | | |
|-----|------|-------------|---------------------------|-----------|------|-----|
| P | LTR | DESCRIPTION | DATE | DWN | APVD | |
| AL | 2 | E | REVISED ES00-0142-02 | 22OCT2002 | JL | JL |
| | | F | REVISED BY ECN 05-0095 | 12JAN06 | J.L | J.L |
| | | F2 | REVISED PER ECR-16-001995 | 11FEB2016 | BW | MD |
| | | F3 | REVISED PER ECR-20-005366 | 23APR2020 | SS | DL |



SECTION A-A

| | | | | |
|----------|------------|-----------------|-----------|-----------------------|
| OBSOLETE | 2-160759-7 | TIN-LEAD | PH.BRONZE | 1-160773-1 |
| | 2-160759-1 | NICKEL PLATED | PH.BRONZE | 1-160773-0 |
| | 1-160759-2 | HOT DIP PRETIN. | PH.BRONZE | 0-160773-7 |
| | 1-160759-1 | HOT DIP PRETIN. | BRASS | 0-160773-6 |
| OBSOLETE | 160759-5 | PRETINNED | PH.BRONZE | 0-160773-5 |
| | 160759-4 | TIN PLATED | PH.BRONZE | 0-160773-4 |
| | 160759-3 | TIN PLATED | BRASS | 0-160773-3 |
| | 160759-2 | UNPLATED | PH.BRONZE | 0-160773-2 |
| | 160759-1 | UNPLATED | BRASS | 0-160773-1 |
| | | STRIP NO. | FINISH | MATERIAL |

| WIRE SIZE | INS. RANGE |
|-------------------------|----------------|
| 0,5-1,5 mm ² | 2,3-3,3 mm dia |

THIS DRAWING IS A CONTROLLED DOCUMENT FOR TYCO ELECTRONICS CORPORATION. IT IS SUBJECT TO CHANGE AND THE CONTROLLING ENGINEERING ORGANIZATION SHOULD BE CONTACTED FOR THE LATEST REVISION.

| | | | | | |
|------------------|-----------|---------|--------------------------------------------|---------------------------------------------|--------|
| DWN | J.LAZARO | 02APR02 | | POSITIVE LOCK RECEPTACLE MK1 LOOSE PIECE | |
| CHK | J.LAZARO | 02APR02 | | | |
| APVD | - | - | | | |
| PRODUCT SPEC | 108-3017 | | | | |
| APPLICATION SPEC | 114-2153 | | SIZE A3 CAGE CODE 00779 DRAWING NO. 160773 | RESTRICTED TO | |
| MATERIAL | see table | FINISH | see table | WEIGHT | - |
| CUSTOMER DRAWING | | | SCALE | SHEET 1 OF 1 | REV F3 |

X-ON Electronics

Largest Supplier of Electrical and Electronic Components

Click to view similar products for [Automotive Connectors](#) category:

Click to view products by [TE Connectivity](#) manufacturer:

Other Similar products are found below :

[003-018-000](#) [60403001](#) [60993906-B](#) [M902-2131](#) [M902-2161](#) [M902-2344](#) [72.330.1035.1](#) [73.353.4028.0](#) [F119300-B](#) [F166900](#) [F258300-B](#)
[F358300-B](#) [F407400](#) [F444110](#) [F487000](#) [F509500B-B](#) [827153-1](#) [8N1515-32-24P](#) [9-1326729-8](#) [925474-1](#) [928905-1](#) [964562-4](#) [968782-1](#)
[GT17SA-8DS-HU](#) [98891-1012](#) [98947-1016](#) [12004147](#) [12004475-L](#) [12010290](#) [12010309-B](#) [12015454](#) [12020219-B](#) [12041318-B](#) [12052225-](#)
[L](#) [12052466](#) [12064869](#) [12004327-B](#) [12015308](#) [12015384](#) [12015909](#) [1-21030-1](#) [12041254](#) [12041318](#) [12047946-B](#) [12047957](#) [12047957-L](#)
[12059473](#) [12066261](#) [12110546](#) [12110546-B](#)