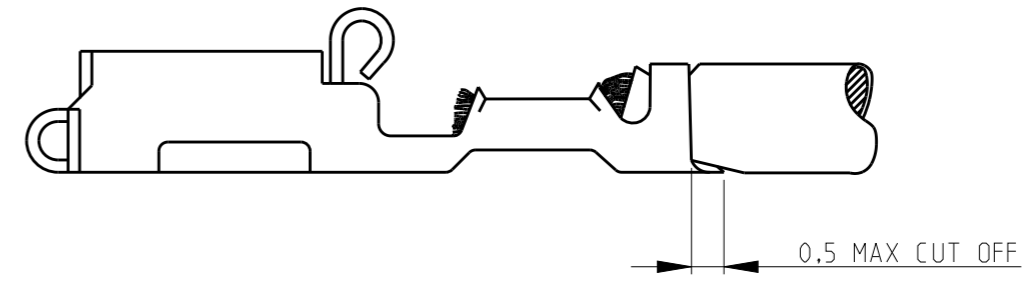
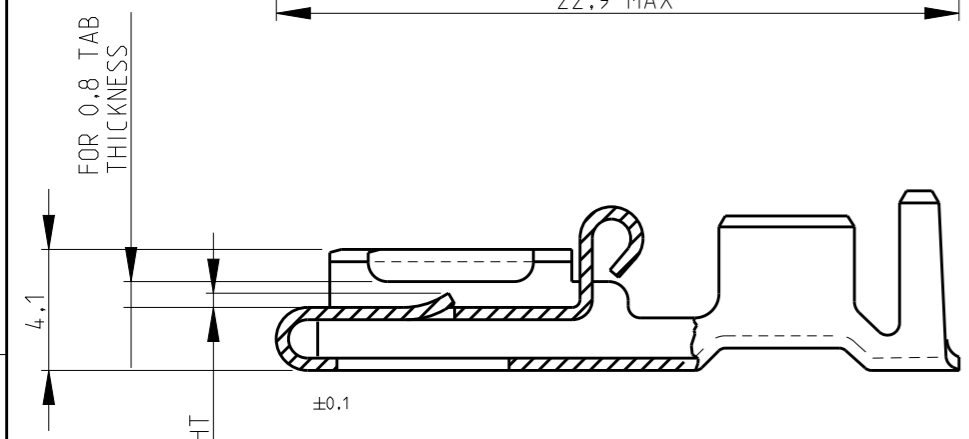
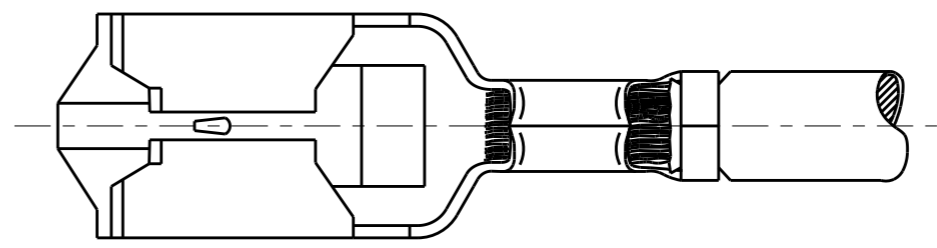
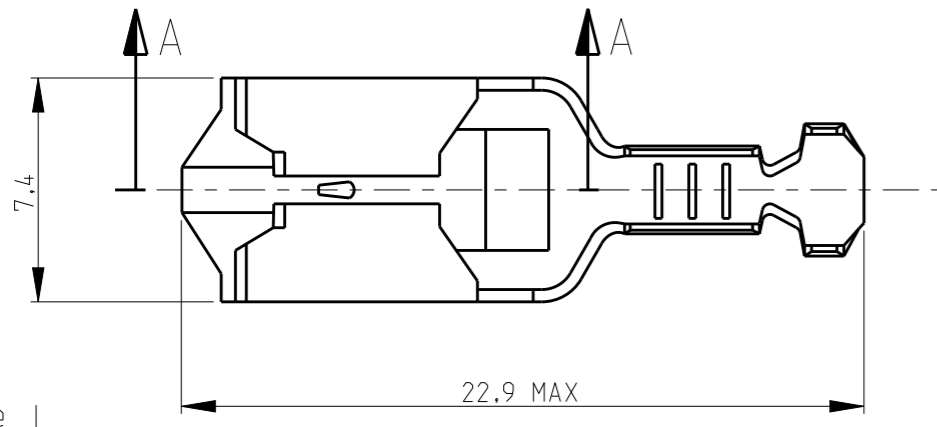


THIS DRAWING IS UNPUBLISHED. RELEASED FOR PUBLICATION  
 © COPYRIGHT BY TYCO ELECTRONICS CORPORATION. ALL RIGHTS RESERVED.

LOC	DIST	REVISIONS				
P	LTR	DESCRIPTION	DATE	DWN	APVD	
AL	2	E	REVISED ES00-0142-02	22OCT2002	JL	JL
		F	REVISED BY ECN 05-0095	12JAN06	J.L	J.L
		F2	REVISED PER ECR-16-001995	11FEB2016	BW	MD
		F3	REVISED PER ECR-20-005366	23APR2020	SS	DL



SECTION A-A

OBSOLETE	2-160759-7	TIN-LEAD	PH.BRONZE	1-160773-1
	2-160759-1	NICKEL PLATED	PH.BRONZE	1-160773-0
	1-160759-2	HOT DIP PRETIN.	PH.BRONZE	0-160773-7
	1-160759-1	HOT DIP PRETIN.	BRASS	0-160773-6
OBSOLETE	160759-5	PRETINNED	PH.BRONZE	<del>0-160773-5</del>
	160759-4	TIN PLATED	PH.BRONZE	0-160773-4
	160759-3	TIN PLATED	BRASS	0-160773-3
	160759-2	UNPLATED	PH.BRONZE	0-160773-2
	160759-1	UNPLATED	BRASS	0-160773-1
		STRIP NO.	FINISH	MATERIAL

WIRE SIZE	INS. RANGE
0,5-1,5 mm <sup>2</sup>	2,3-3,3 mm dia

THIS DRAWING IS A CONTROLLED DOCUMENT FOR TYCO ELECTRONICS CORPORATION. IT IS SUBJECT TO CHANGE AND THE CONTROLLING ENGINEERING ORGANIZATION SHOULD BE CONTACTED FOR THE LATEST REVISION.

DIMENSIONS:	TOLERANCES UNLESS OTHERWISE SPECIFIED:	DWN	02APR02		
mm	0 PLC ± 1 PLC ± 2 PLC ±GENERAL 3 PLC ±TOLERANCE 4 PLC ±0,3 ANGLES ±30'	CHK	02APR02		
		APVD	-		
		PRODUCT SPEC	108-3017		
MATERIAL	see table	FINISH	see table	NAME	POSITIVE LOCK RECEPTACLE MK1 LOOSE PIECE
				SIZE	A3
				CAGE CODE	00779
				DRAWING NO	160773
				RESTRICTED TO	
				SCALE	-
				SHEET	1 OF 1
				REV	F3

CUSTOMER DRAWING

## X-ON Electronics

Largest Supplier of Electrical and Electronic Components

*Click to view similar products for [Terminals](#) category:*

*Click to view products by [TE Connectivity](#) manufacturer:*

Other Similar products are found below :

[00-054007-01074-6](#) [00-054007-70206-1](#) [00-054007-70210-8](#) [00-054007-70217-7](#) [00-054007-70226-9](#) [00-054007-70228-3](#) [00-054007-70248-1](#) [00-054007-70256-6](#) [00-054007-70301-3](#) [00-054007-70316-7](#) [00-054007-49560-4](#) [00-054007-70209-2](#) [00-054007-70225-2](#) [00-054007-70227-6](#) [00-054007-70231-3](#) [00-054007-70241-2](#) [00-054007-70242-9](#) [00-054007-70244-3](#) [00-054007-70246-7](#) [00-054007-70263-4](#) [00-054007-70288-7](#) [00-054007-70290-0](#) [00-054007-70300-6](#) [00-054007-70304-4](#) [01-2065-1-0216](#) [01-2900-1-04412](#) [00581P0075](#) [600TS-10](#) [60205-1](#) [604200-1](#) [605601-1](#) [60598-1-CUT-TAPE](#) [61314-6-C](#) [61810-3](#) [61-S](#) [61-SN](#) [626-0194](#) [62-NBM-A](#) [62-SN](#) [62-SP](#) [63-S](#) [640179-1](#) [M55155/059I03](#) [M55155/079C01](#) [M55155/099H02](#) [M55155/109H01](#) [M55155/109H02](#) [M55155/12XH05](#) [M55155/16XH02](#) [M55155/29-5S](#)