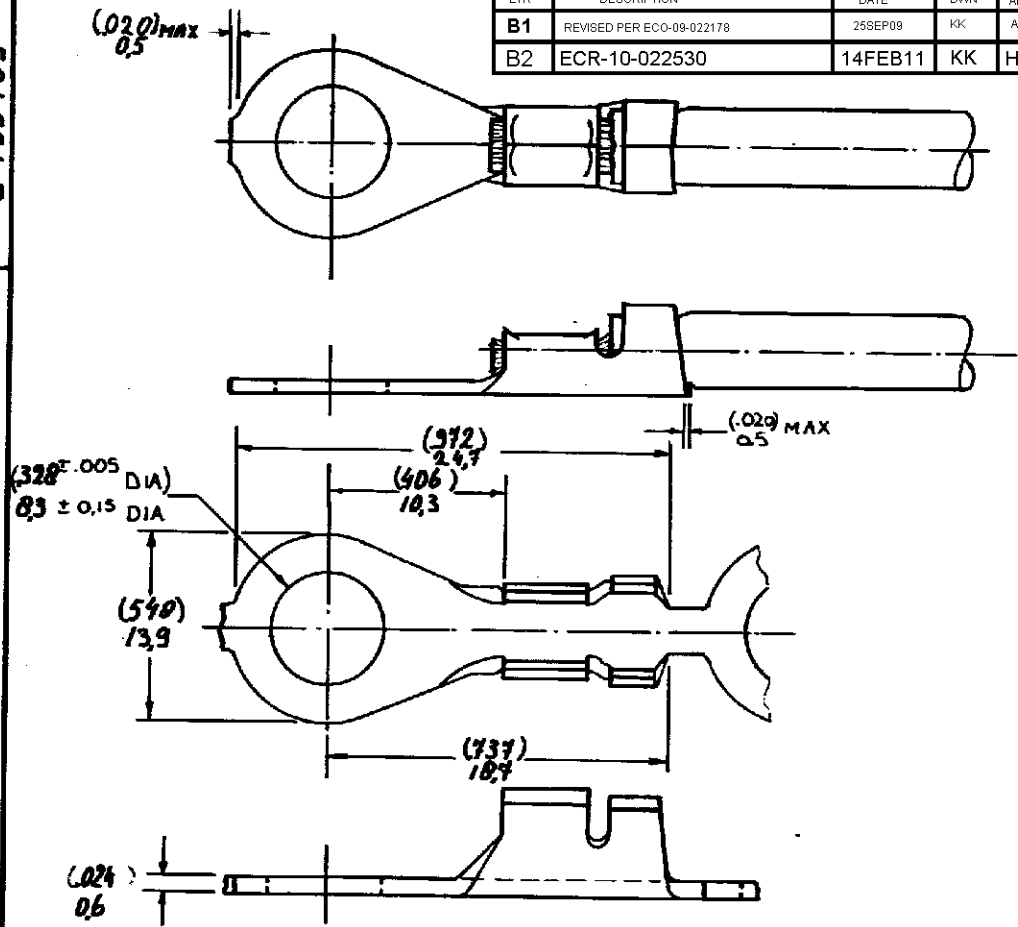


DRAWING MADE IN AMERICAN PROJECTION

REVISIONS

| LTR | DESCRIPTION | DATE | DWN | APVD |
|-----|---------------------------|---------|-----|------|
| B1 | REVISED PER ECO-09-022178 | 25SEP09 | KK | AEG |
| B2 | ECR-10-022530 | 14FEB11 | KK | HMR |

NUMBER C-160789



- ① REEL WITH PAPER COVER
- ② OBSOLETE PARTS: OBSOLETE CIS STREAMLINING PER D.RENAUD/D.SINISI
- ③ OBSOLETE

DIMENSIONS IN INCHES DO NOT SCALE PRINT

| | | | | |
|------------|--------------|------------|------|---|
| 160789-5 | PH. BRONZE | — | — | ① |
| ② 160789-4 | BRASS | — | — | ① |
| 160789-3 | PHOSPHOR BR. | — | — | |
| 160789-2 | BRASS | TIN PLATED | — | |
| 460780-4 | BRASS | — | — | |
| ORDER NO. | MATERIAL | PLATING | | |
| DATE | S/ DATE | DE | DATE | |
| CHK | DATE | AE | DATE | |
| KK | 25/09/09 | | | |

CUSTOMER COPY FOR REFERENCE ONLY

©1979 BY TE-HOLLAND N.V. ALL RIGHTS RESERVED TE PRODUCTS COVERED BY PATENTS AND/OR PATENTS PENDING.

TE
TE Connectivity

| WIRE RANGE | RESUL. RANGE | FIRST USED |
|------------|---------------|------------|
| 10-25 | (100 - 150) | |
| | (2.54 - 3.81) | |

| SCALE | LOC | SIZE | NO | REV |
|--------|-----|------|----------|-----|
| N.T.S. | H | A | C-160789 | B2 |

NAME: RINGTONGUE

X-ON Electronics

Largest Supplier of Electrical and Electronic Components

Click to view similar products for [Terminals](#) category:

Click to view products by [TE Connectivity](#) manufacturer:

Other Similar products are found below :

[00-054007-01074-6](#) [00-054007-70206-1](#) [00-054007-70210-8](#) [00-054007-70217-7](#) [00-054007-70226-9](#) [00-054007-70228-3](#) [00-054007-70248-1](#) [00-054007-70256-6](#) [00-054007-70301-3](#) [00-054007-70316-7](#) [0-0320562-0](#) [00-054007-49560-4](#) [00-054007-70209-2](#) [00-054007-70225-2](#) [00-054007-70227-6](#) [00-054007-70231-3](#) [00-054007-70241-2](#) [00-054007-70242-9](#) [00-054007-70244-3](#) [00-054007-70246-7](#) [00-054007-70263-4](#) [00-054007-70288-7](#) [00-054007-70290-0](#) [00-054007-70300-6](#) [00-054007-70304-4](#) [01-2065-1-0216](#) [01-2900-1-04412](#) [00581P0075](#) [600TS-10](#) [60205-1](#) [604200-1](#) [605601-1](#) [60598-1-CUT-TAPE](#) [61314-6-C](#) [61810-3](#) [61-S](#) [61-SN](#) [626-0194](#) [62-NBM-A](#) [62-SN](#) [62-SP](#) [63-S](#) [640179-1](#) [M55155/059I03](#) [M55155/079C01](#) [M55155/099H02](#) [M55155/109H01](#) [M55155/109H02](#) [M55155/12XH05](#) [M55155/16XH02](#)