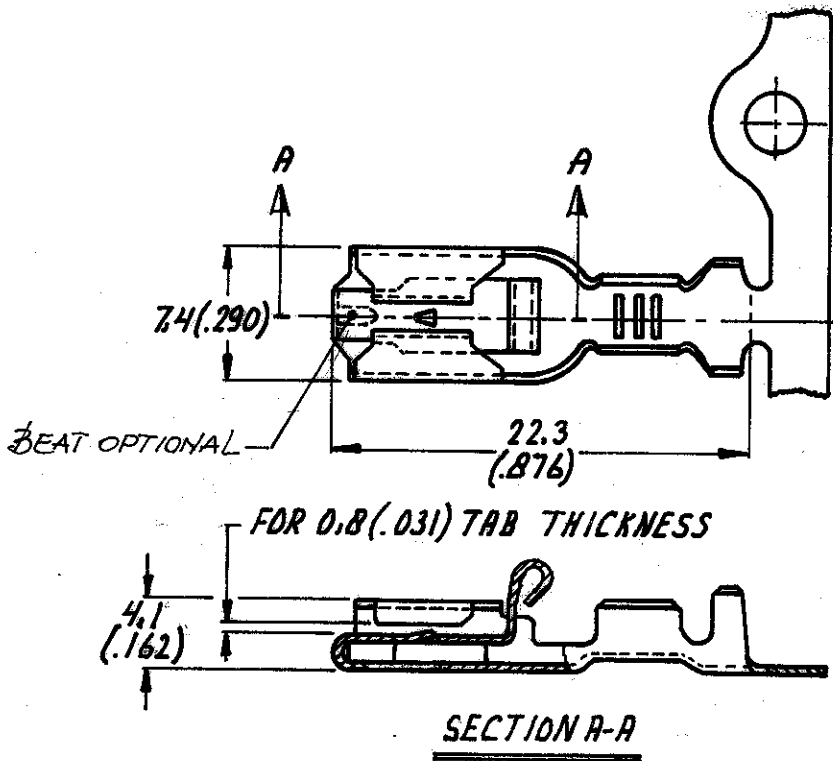


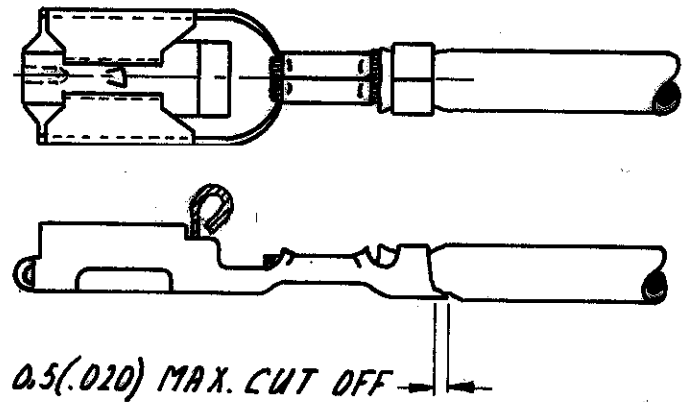
DRAWING MADE IN AMERICAN PROJECTION

| REVISIONS |                           |         |     |      |
|-----------|---------------------------|---------|-----|------|
| LTR       | DESCRIPTION               | DATE    | DWN | APVD |
| E1        | REVISED PER ECO-09-022178 | 25SEP09 | KK  | AEQ  |

NUMBER C-160826



- NOTES:**
- 1 FOR USE ON MINIATURE APPLICATOR (LEFT-RIGHT FEED).
  - 2 FOR USE ON MINIATURE APPLICATOR (LEFT-RIGHT FEED) AMPOMATOR APPLICATION
  - 3 GENERAL TOLERANCE  $\pm 0,3$  (.012)
  - 4 OBSOLETE PARTS: OBSOLETE CIS STREAMLINING PER D.RENAUD/D.SINISI



DIMENSIONS IN M.M. DO NOT SCALE PRINT

|            |            |                |
|------------|------------|----------------|
| 6-160826-8 | PH. BRONZE | PZE-TIN PLATED |
| 6-160826-7 | BRASS      | PZE-TIN PLATED |
| 160826-4   | PH. BRONZE | TIN PLATED     |
| 160826-3   | BRASS      | TIN PLATED     |
| 160826-2   | PH. BRONZE | —              |
| 160826-1   | BRASS      | —              |

**CUSTOMER COPY FOR REFERENCE ONLY**

©1981 BY AMP-HOLLAND N.V. ALL RIGHTS RESERVED A-MP PRODUCTS COVERED BY PATENTS AND/OR PATENTS PENDING.

**AMP**  
AMP-ESPAÑOLA  
BARCELONA

|   |   |                        |
|---|---|------------------------|
| WIRE RANGE<br>22-18 AWG<br>0.30-0.81 mm | INSUL. RANGE<br>.045-1.00 DIA.<br>1.1-2.5 mm DIA. | FIRST USED             |
| SCALE<br>N.D.S.                         | SIZE<br>A   | NO<br>C-160826         |
| ORDER NO.                               | MATERIAL  | PLATING                |
| DR<br>R.V.H.                            | DATE<br>22.4.81                                   | DE<br>DATE             |
| CHK<br>S. J.                            | DATE<br>22.4.81                                   | APP<br>DATE<br>24.2.82 |
| NAME<br>POSITIVE LOCK RECEPTACLE        |   | REV<br>E1              |

## X-ON Electronics

Largest Supplier of Electrical and Electronic Components

*Click to view similar products for [Terminals](#) category:*

*Click to view products by [TE Connectivity](#) manufacturer:*

Other Similar products are found below :

[00-054007-01074-6](#) [00-054007-70206-1](#) [00-054007-70210-8](#) [00-054007-70217-7](#) [00-054007-70226-9](#) [00-054007-70228-3](#) [00-054007-70248-1](#) [00-054007-70256-6](#) [00-054007-70301-3](#) [00-054007-70316-7](#) [00-054007-49560-4](#) [00-054007-70209-2](#) [00-054007-70225-2](#) [00-054007-70227-6](#) [00-054007-70231-3](#) [00-054007-70241-2](#) [00-054007-70242-9](#) [00-054007-70244-3](#) [00-054007-70246-7](#) [00-054007-70263-4](#) [00-054007-70288-7](#) [00-054007-70290-0](#) [00-054007-70300-6](#) [00-054007-70304-4](#) [01-2065-1-0216](#) [01-2900-1-04412](#) [00581P0075](#) [600TS-10](#) [60205-1](#) [604200-1](#) [605601-1](#) [60598-1-CUT-TAPE](#) [61314-6-C](#) [61810-3](#) [61-S](#) [61-SN](#) [626-0194](#) [62-NBM-A](#) [62-SN](#) [62-SP](#) [63-S](#) [640179-1](#) [M55155/059I03](#) [M55155/079C01](#) [M55155/099H02](#) [M55155/109H01](#) [M55155/109H02](#) [M55155/12XH05](#) [M55155/16XH02](#) [M55155/29-5S](#)