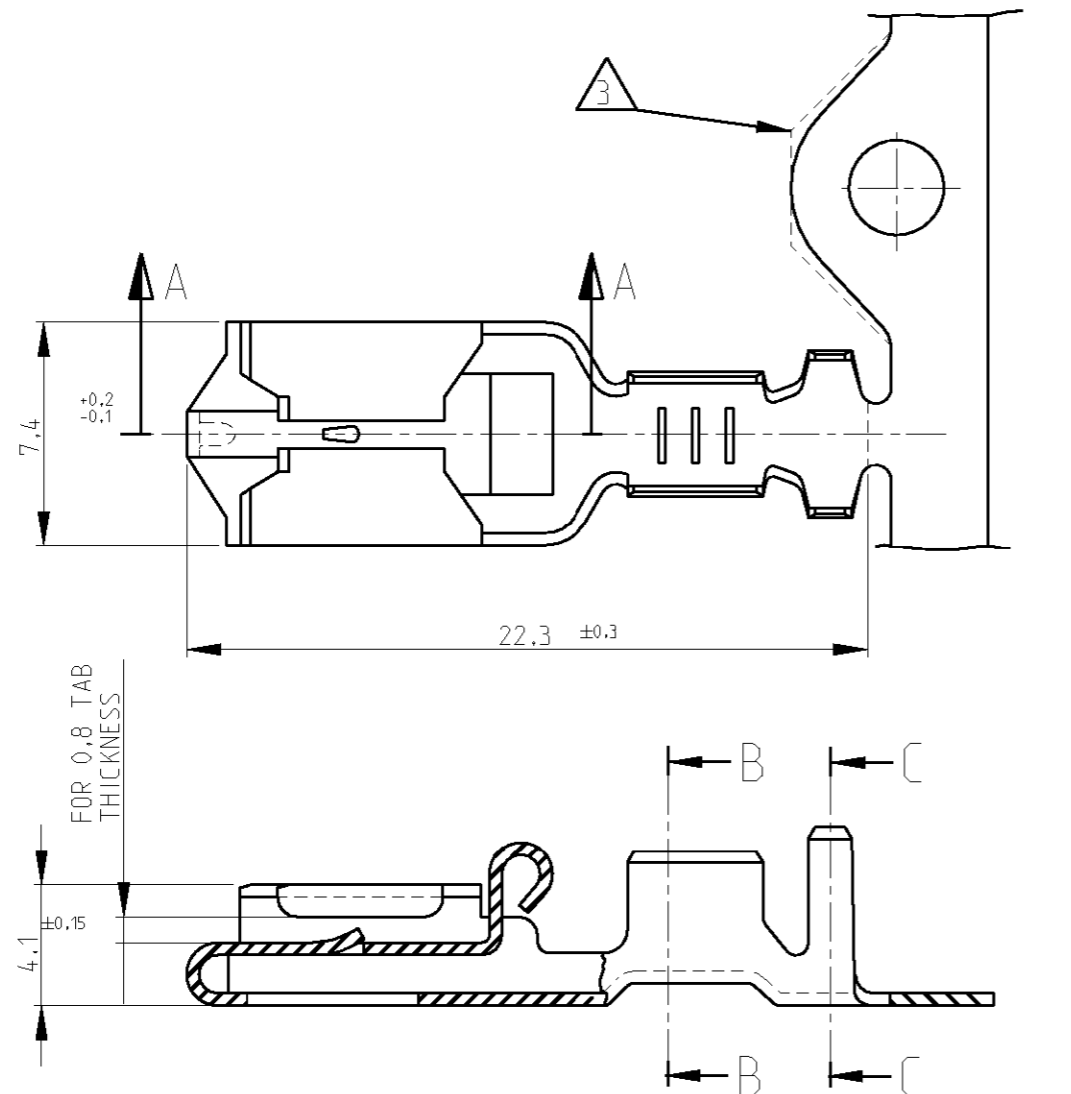
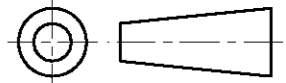


DO NOT SCALE

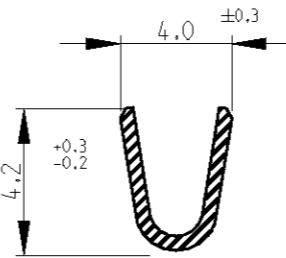
DIMENSIONS IN mm

METRIC

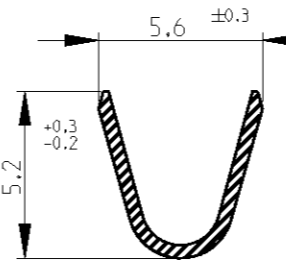
THIRD ANGLE  
PROJECTION



SECTION A-A



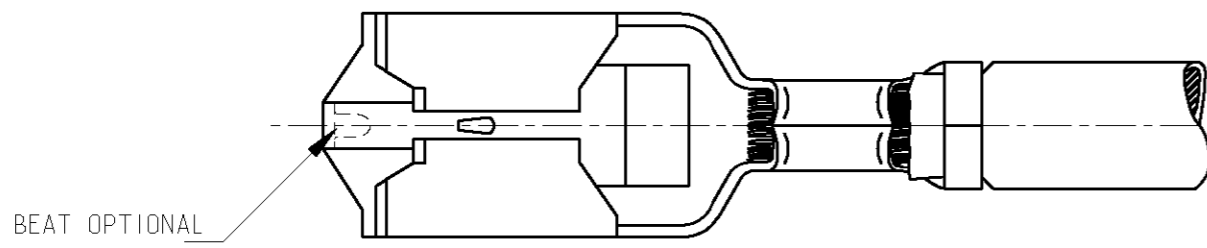
SECTION B-B



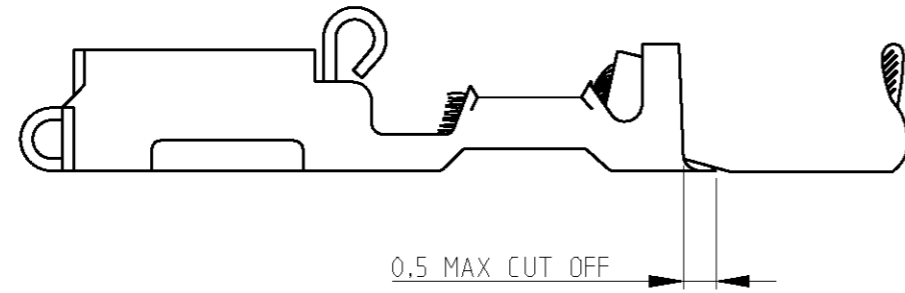
SECTION C-C

NOTES:

- 1 FOR USE ON MINIATURE APPLICATOR (LEFT-RIGHT FEED)
- 2 REELED WITH PAPER.
- 3 CONFIGURATION OF CARRIER-STRIP OPTIONAL.
- 4 FOR USE ON MINIATURE APPLICATOR (LEFT-RIGHT FEED) AMP-O-MATOR APPLICATION.
- 5 **OBSOLETE PARTS: OBSOLETE CIS STREAMLINING PER D.RENAUD/D.SINISI**



SECTION A-A



0.5 MAX CUT OFF

WIRE RANGE :	1.0-2.5 mm?
INSULATION RANGE :	3.0-4.3mm DIA.

FINISH	MATERIAL	PART NUMBER
<b>5</b> OBSOLETE	PRE-TIN PLATED PH.BRONZE	<del>6-160831-8</del>
<b>5</b> OBSOLETE	PRE-TIN PLATED BRASS	<del>6-160831-7</del>
	TIN PLATED PH.BRONZE	1-160831-2
	UNPLATED BRASS	1-160831-1
<b>5</b> OBSOLETE	TIN PLATED BRASS	<del>1-160831-0</del>
	UNPLATED NICKEL-SILVER	0-160831-9
<b>5</b> OBSOLETE	SILVERPLATED PH.BRONZE	<del>0-160831-8</del>
<b>5</b> OBSOLETE	SILVERPLATED BRASS	<del>0-160831-7</del>
<b>5</b> OBSOLETE	UNPLATED BRASS	<del>0-160831-6</del>
<b>5</b> OBSOLETE	UNPLATED PH.BRONZE	<del>0-160831-5</del>
	TIN PLATED PH.BRONZE	0-160831-4
	TIN PLATED BRASS	0-160831-3
	UNPLATED PH.BRONZE	0-160831-2
	UNPLATED BRASS	0-160831-1

CUSTOMER DRAWING				FOR REFERENCE ONLY WILL NOT BE UPDATED	
THIS DRAWING IS UNPUBLISHED RELEASED FOR PUBLICATION					
<b>STE</b> TE Connectivity					
NAME					
POSITIVE LOCK RECEPTACLE .250 (6,35) SERIES					
M2	ECO-11-005294	RK	HMR	19APR11	
LTR.	REVISION RECORD	DR.	CHK.	DATE	
DR.:	J.v.LIEMPT	CHK.:	MvDRIEL	APP.:	M.v.DRIEL
DATE:	07 FEB 97	DATE:	18 FEB 02	DATE:	18 FEB 02
DWG.No. C-160831				REV.LTR.	M2
				SHEET	1 OF 1

## X-ON Electronics

Largest Supplier of Electrical and Electronic Components

*Click to view similar products for [Terminals](#) category:*

*Click to view products by [TE Connectivity](#) manufacturer:*

Other Similar products are found below :

[00-054007-01074-6](#) [00-054007-70206-1](#) [00-054007-70210-8](#) [00-054007-70217-7](#) [00-054007-70226-9](#) [00-054007-70228-3](#) [00-054007-70248-1](#) [00-054007-70256-6](#) [00-054007-70301-3](#) [00-054007-70316-7](#) [00-054007-49560-4](#) [00-054007-70209-2](#) [00-054007-70225-2](#) [00-054007-70227-6](#) [00-054007-70231-3](#) [00-054007-70241-2](#) [00-054007-70242-9](#) [00-054007-70244-3](#) [00-054007-70246-7](#) [00-054007-70263-4](#) [00-054007-70288-7](#) [00-054007-70290-0](#) [00-054007-70300-6](#) [00-054007-70304-4](#) [01-2065-1-0216](#) [01-2900-1-04412](#) [00581P0075](#) [600TS-10](#) [60205-1](#) [604200-1](#) [605601-1](#) [60598-1-CUT-TAPE](#) [61314-6-C](#) [61810-3](#) [61-S](#) [61-SN](#) [626-0194](#) [62-NBM-A](#) [62-SN](#) [62-SP](#) [63-S](#) [640179-1](#) [M55155/059I03](#) [M55155/079C01](#) [M55155/099H02](#) [M55155/109H01](#) [M55155/109H02](#) [M55155/12XH05](#) [M55155/16XH02](#) [M55155/29-5S](#)