
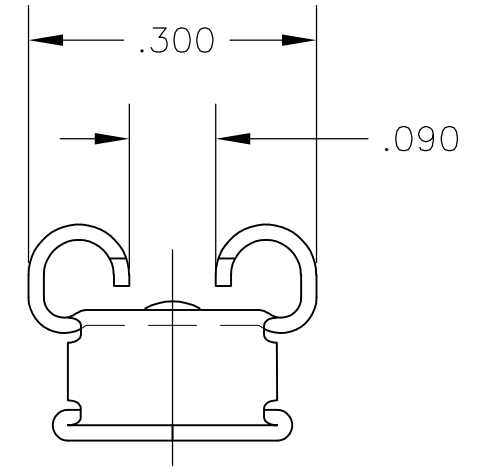
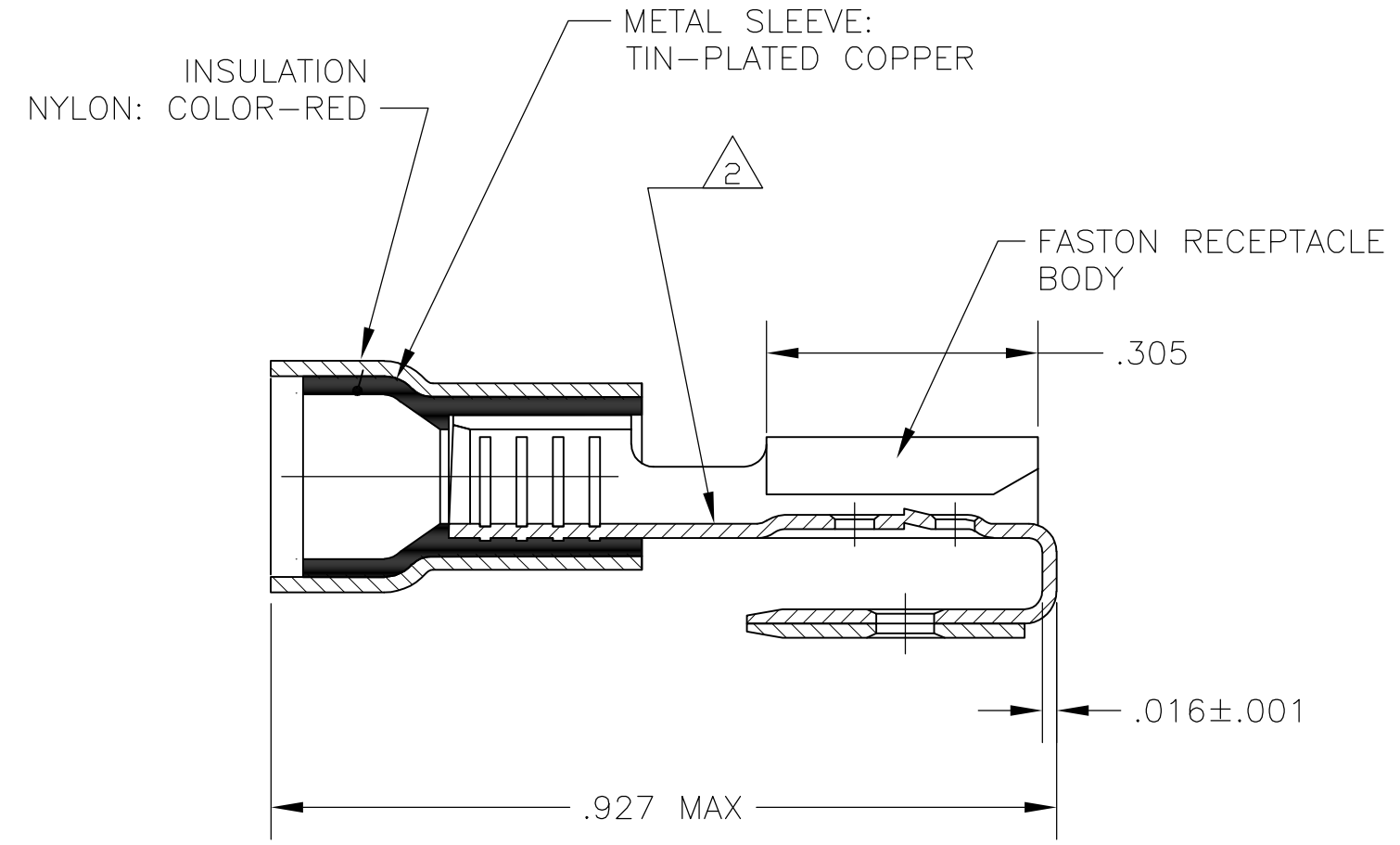




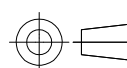
THIS DRAWING IS UNPUBLISHED. RELEASED FOR PUBLICATION  
 © COPYRIGHT - By - ALL RIGHTS RESERVED.

LOC	DIST	REVISIONS					
		P	LTR	DESCRIPTION	DATE	DWN	APVD
G	86		C2	REVISED PER ECO-11-004820	11MAR11	RK	HMR

- 1 MATING TAB THICKNESS .032
- 2  ASTERISK \* FOR PHOS BRONZE ITEMS ONLY.
- 3 WIRE INSULATION DIA TO BE .140 MAX
- 4 MAX RECOMMENDED OPERATING TEMP IS 105°C OR 221°F
- 5 VOLTAGE RATING IS 300V MAX
- 6 CIRCULAR MIL AREA 0.3-1,5mm2 [592-2960]



TIN PLATING	PHOS BRONZE 	160834-5
TIN PLATING	BRASS	160834-2
FINISH - TERMINAL	FASTON RECEPTACLE MATERIAL	PART NO

THIS DRAWING IS A CONTROLLED DOCUMENT.		DWN jr_ruth 22FEB06	 TE Connectivity NAME 250 SERIES P.I.D.G. FASTON REC, ASS'Y, PIGGYBACK, LOOSE PIECE WIRE SIZE: 22-16 AWG				
DIMENSIONS: INCHES		CHK T MICHELUTTI 22FEB06				APVD T MICHELUTTI 22FEB06	RESTRICTED TO
		PRODUCT SPEC				SIZE	
TOLERANCES UNLESS OTHERWISE SPECIFIED:		APPLICATION SPEC				CAGE CODE	
MATERIAL SEE TABLE		FINISH SEE TABLE		DRAWING NO	RESTRICTED TO		
		WEIGHT -		A300779	C-160834		
CUSTOMER DRAWING			SCALE 5:1	SHEET 1 OF 1	REV C2		

## X-ON Electronics

Largest Supplier of Electrical and Electronic Components

*Click to view similar products for [Terminals](#) category:*

*Click to view products by [TE Connectivity](#) manufacturer:*

Other Similar products are found below :

[00-054007-01074-6](#) [00-054007-70206-1](#) [00-054007-70210-8](#) [00-054007-70217-7](#) [00-054007-70226-9](#) [00-054007-70228-3](#) [00-054007-70248-1](#) [00-054007-70256-6](#) [00-054007-70301-3](#) [00-054007-70316-7](#) [0-0320562-0](#) [00-054007-49560-4](#) [00-054007-70209-2](#) [00-054007-70225-2](#) [00-054007-70227-6](#) [00-054007-70231-3](#) [00-054007-70241-2](#) [00-054007-70242-9](#) [00-054007-70244-3](#) [00-054007-70246-7](#) [00-054007-70263-4](#) [00-054007-70288-7](#) [00-054007-70290-0](#) [00-054007-70300-6](#) [00-054007-70304-4](#) [01-2065-1-0216](#) [01-2900-1-04412](#) [00581P0075](#) [600TS-10](#) [60205-1](#) [604200-1](#) [605601-1](#) [60598-1-CUT-TAPE](#) [61314-6-C](#) [61810-3](#) [61-S](#) [61-SN](#) [626-0194](#) [62-NBM-A](#) [62-SN](#) [62-SP](#) [63-S](#) [640179-1](#) [M55155/059I03](#) [M55155/079C01](#) [M55155/099H02](#) [M55155/109H01](#) [M55155/109H02](#) [M55155/12XH05](#) [M55155/16XH02](#)