

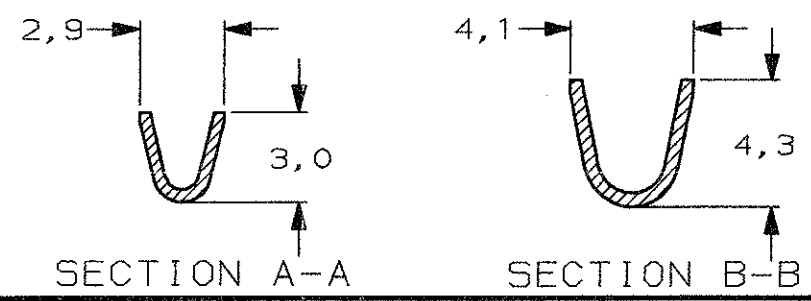
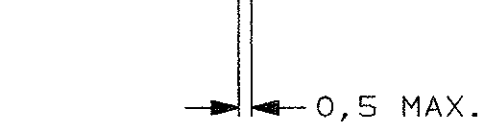
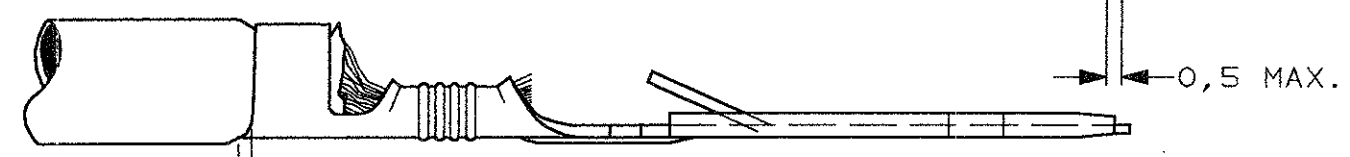
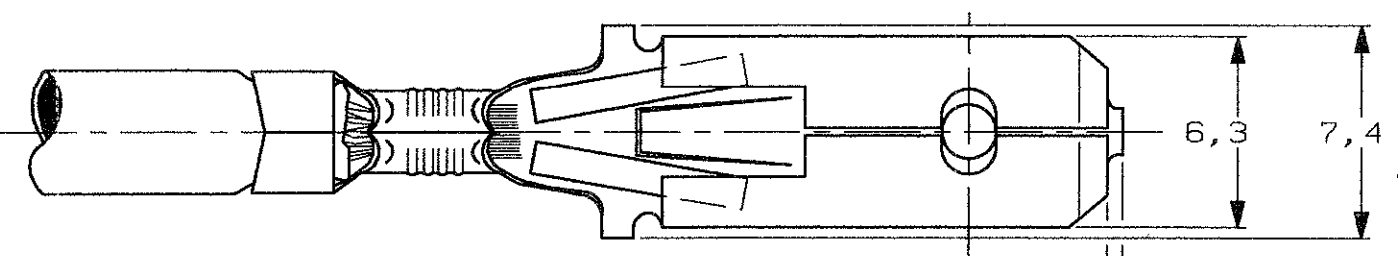
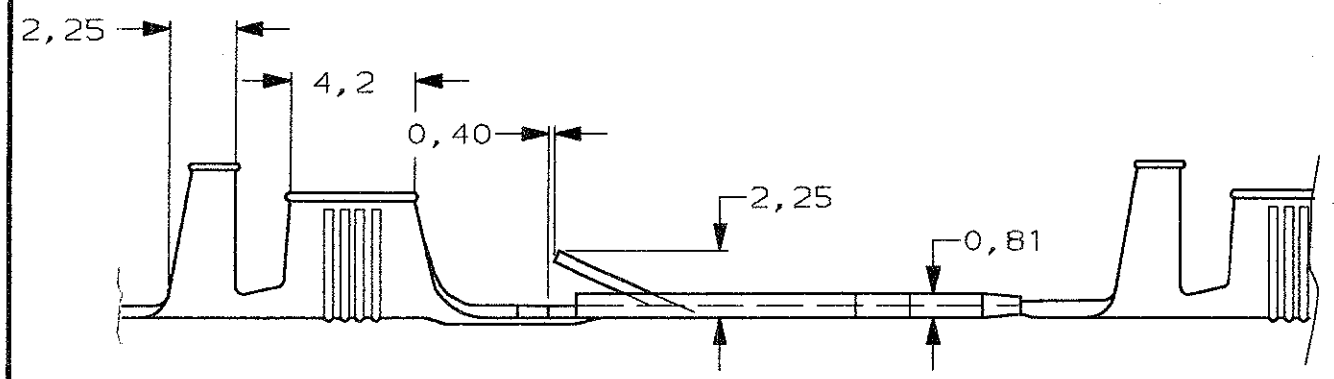
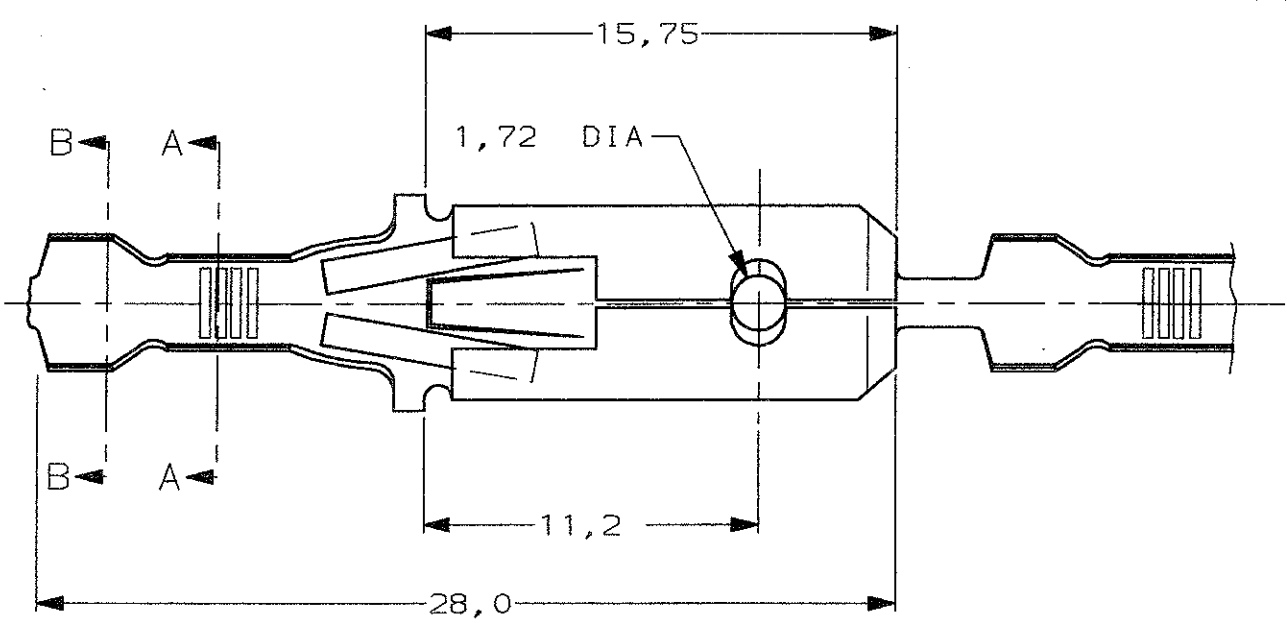
DO NOT SCALE
DIMENSIONS IN mm

METRIC

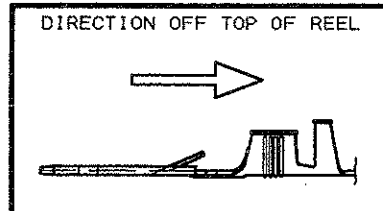
THIRD ANGLE
PROJECTION

NOTES:

- 1 FOR USE ON MINIATURE APPLICATORS (LEFT-RIGHT FEED)
- 2 OBSOLETE PARTS: OBSOLETE CIS STREAMLINING PER D.RENAUD/D.SINISI



WIRE RANGE :
0,5-1,0 mm²
INSULATION RANGE :
2,0-2,7mm DIA.



2	OBSOLETE	1	PRE-TINPLATED	BRASS	160869-7	F1
2	OBSOLETE	1	PRE-TINPLATED	PHOSPHORBRONZE	160869-6	F1
		1	UNPLATED	PHOSPHORBRONZE	160869-5	F1
	OBSOLETE	1	TINPLATED	PHOSPHORBRONZE	160869-4	F1
2	OBSOLETE	1	UNPLATED	PHOSPHORBRONZE	160869-3	F1
		1	TINPLATED	BRASS	160869-2	F1
	OBSOLETE	1	UNPLATED	BRASS	160869-1	F2
			PLATING	PLATING	MATERIAL	PARTNUMBER REV.

-	-	-	-	-	-
F2	ECR-10-022530	KK	HMR	12FEB11	
F1	REVISED PER ECO-09-027197	KK	AEG	08DEC09	
F	REVISED FOR ET00-0296-99	H.Y.	C.T.	23 SEP 99	
B	ECO TRANSFER FOR EH00-2170-98			28 JAN 99	
B	H-9701	JvdH	AB	07-04-92	
LTR.	REVISION RECORD	DR.	CHK.	DATE	

CUSTOMER DRAWING FOR REFERENCE ONLY
WILL NOT BE UPDATED
© COPYRIGHT 19- BY TE ITALIA S.p.A.
ALL INTERNATIONAL RIGHTS RESERVED. TE PRODUCTS MAY BE
COVERED BY U.S. AND FOREIGN AND/OR PATENTS PENDING.
THIS DRAWING IS UNPUBLISHED
RELEASED FOR PUBLICATION

TE TE Connectivity
NAME
FASTIN-FASTON® Connector
.250" sr. TAB CONTACT

DR. : J.v.LIEMPT.	CHK. : A.BIJNEN.	APP. : L.v.SOEST.	DWG.No.	REV.LTR.	SHEET
DATE: 23 MAR 1992	DATE: -	DATE: -	C-160869	F2	1 OF 1

X-ON Electronics

Largest Supplier of Electrical and Electronic Components

Click to view similar products for [Terminals](#) category:

Click to view products by [TE Connectivity](#) manufacturer:

Other Similar products are found below :

[00-054007-01074-6](#) [00-054007-70206-1](#) [00-054007-70210-8](#) [00-054007-70217-7](#) [00-054007-70226-9](#) [00-054007-70228-3](#) [00-054007-70248-1](#) [00-054007-70256-6](#) [00-054007-70301-3](#) [00-054007-70316-7](#) [00-054007-49560-4](#) [00-054007-70209-2](#) [00-054007-70225-2](#) [00-054007-70227-6](#) [00-054007-70231-3](#) [00-054007-70241-2](#) [00-054007-70242-9](#) [00-054007-70244-3](#) [00-054007-70246-7](#) [00-054007-70263-4](#) [00-054007-70288-7](#) [00-054007-70290-0](#) [00-054007-70300-6](#) [00-054007-70304-4](#) [01-2065-1-0216](#) [01-2900-1-04412](#) [00581P0075](#) [600TS-10](#) [60205-1](#) [604200-1](#) [605601-1](#) [60598-1-CUT-TAPE](#) [61314-6-C](#) [61810-3](#) [61-S](#) [61-SN](#) [626-0194](#) [62-NBM-A](#) [62-SN](#) [62-SP](#) [63-S](#) [640179-1](#) [M55155/059I03](#) [M55155/079C01](#) [M55155/099H02](#) [M55155/109H01](#) [M55155/109H02](#) [M55155/12XH05](#) [M55155/16XH02](#) [M55155/29-5S](#)