

DO NOT SCALE

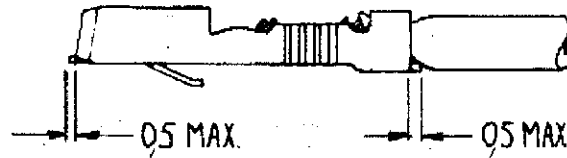
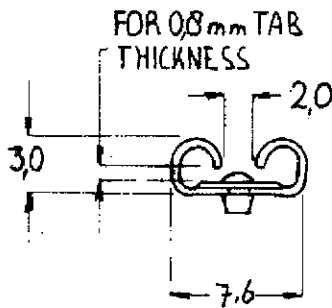
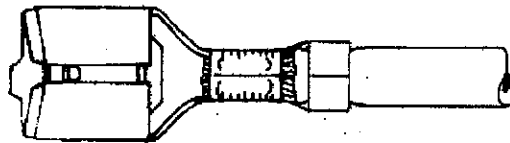
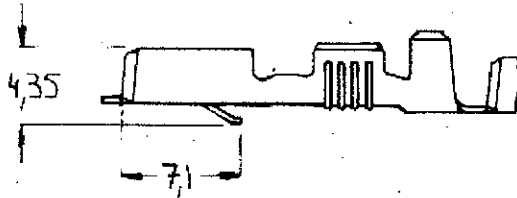
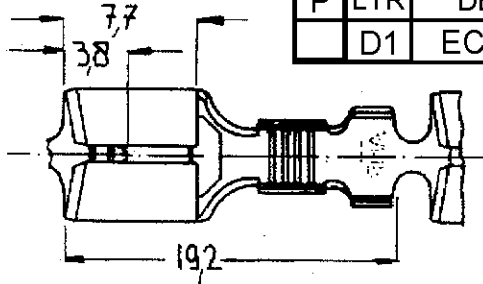
DIMENSIONS IN mm

METRIC

THIRD ANGLE PROJECTION



P	LTR	DESCRIPTION	DATE	DWN	APVD
	D1	ECO-09-025699	05FEB10	KK	HMR



NOTES: 1 FOR USE ON STANDARD AND MINIATURE APPLICATION

2 REELED WITH PAPER COVER

3 OBSOLETE PARTS: OBSOLETE CIS STREAMLINING PER D.RENAUD/D.SINISI

		PRE-TIN PLATED	PHOSPHOR BRONZE	<del>6-160870-8</del>
--	--	----------------	-----------------	-----------------------

GENERAL TOLERANCES ±0.3

		PRE-TIN PLATED	BRASS	<del>6-160870-7</del>
		TIN PLATED	PHOSPHOR BRONZE	160870-4
		UNPLATED	PHOSPHOR BRONZE	-3
		TIN PLATED	BRASS	<del>-2</del>
		UNPLATED	BRASS	160870-1

NOTES	FINISH	MATERIAL	PART NUMBER
-------	--------	----------	-------------

CUSTOMER DRAWING

FOR REFERENCE ONLY WILL NOT BE UPDATED



Tyco Electronics AMP Barcelona, Spain

THIS DRAWING IS UNPUBLISHED  RELEASED FOR PUBLICATION

COPYRIGHT 1984 BY AMP-HOLLAND B.V. ALL INTERNATIONAL RIGHTS RESERVED. AMP PRODUCTS MAY BE COVERED BY U.S. AND FOREIGN PATENTS AND/OR PATENTS PENDING.

DR L.V.D.HEYDEN 17.12.'84	WIRE RANGE 0.5-1.0 mm <sup>2</sup>	NAME 63 SERIES FASTIN-FASTON RECEPTACLE	REV DATE D M Y 17 01 03
CHK 	INSUL RANGE 2.0-3.3 DIA.	DRAWING NO C-160870	REV LTR D1
APP 	SIZE A4	SHEET 1 OF 1	24.1.85

## X-ON Electronics

Largest Supplier of Electrical and Electronic Components

*Click to view similar products for [Terminals](#) category:*

*Click to view products by [TE Connectivity](#) manufacturer:*

Other Similar products are found below :

[HT-13-10](#) [71M-250-32-NB](#) [01-2065-1-0216](#) [00581P0075](#) [M10-10RX](#) [M10BCK](#) [60205-1](#) [604200-1](#) [60598-1-CUT-TAPE](#) [60617-1-C](#) [60873-1](#) [M14-516R/SK](#) [M14-6RSX](#) [M18-8FBX](#) [M18-8R/LX](#) [M18BCK](#) [61314-6-C](#) [61-S](#) [61-SN-A](#) [62-NBM-A](#) [63-S](#) [640179-1](#) [640917-2-CUT-TAPE](#) [6501550002](#) [66107-2-C](#) [696683-1](#) [696834-1](#) [696861-1](#) [696931-1](#) [696999-1](#) [M8-516RK](#) [M86700006](#) [MA250DMFMX-A](#) [701-2007](#) [701-2307](#) [701-7761-03](#) [70F-110-32-PB](#) [718-N-A](#) [71M-187-20-NBL](#) [71M-250-32-NBL](#) [72F-187-20-NBL](#) [72M-250-32-NBL](#) [7310](#) [73F-250-32](#) [73F-250-32-NL](#) [F14-10C](#) [F-1M](#) [751-250](#) [76650-5002](#) [76828-149](#)