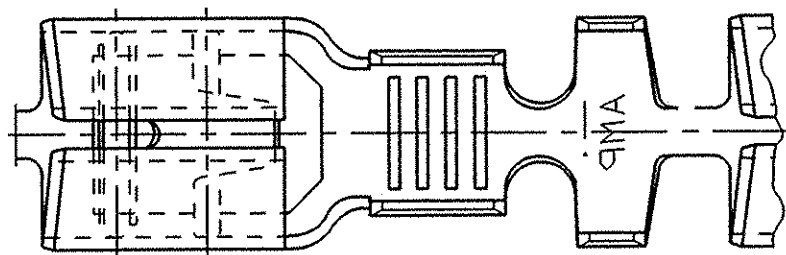
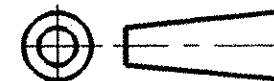


DO NOT SCALE

DIMENSIONS IN mm

METRIC

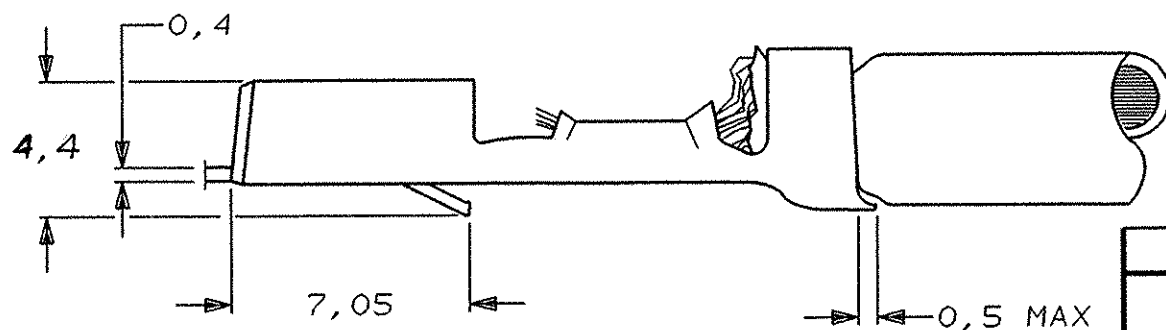
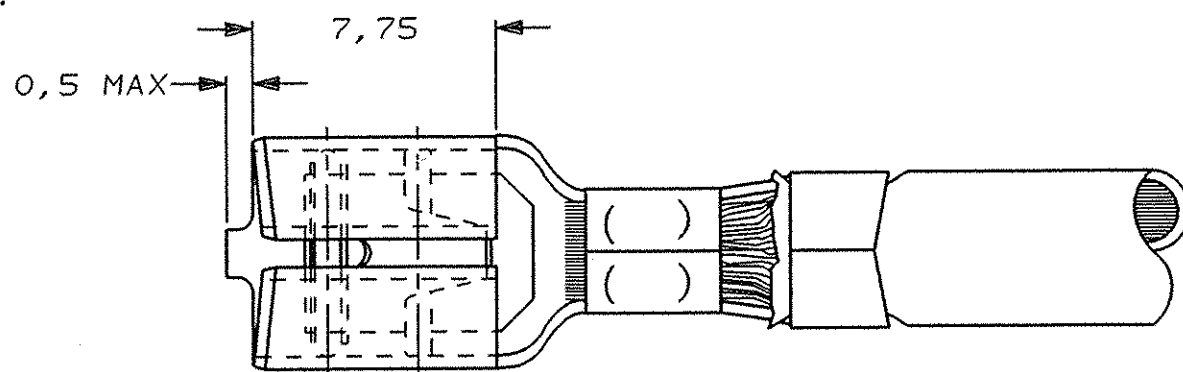
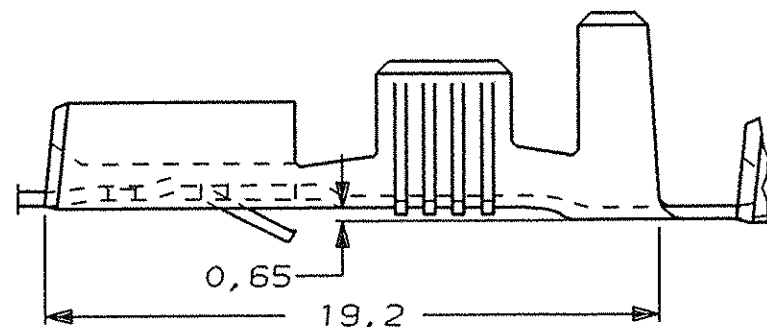
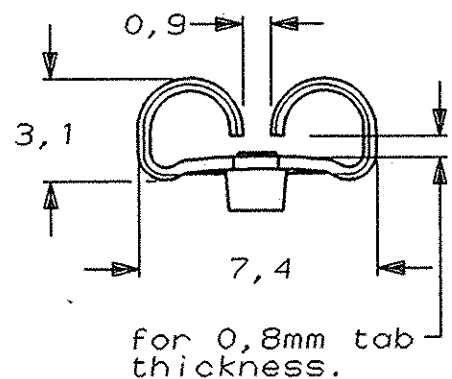
THIRD ANGLE
PROJECTION



NOTES

- 1. FOR USE ON MINIATURE APPLICATORS (LEFT-RIGHT FEED) AND STANDARD APPLICATORS (RIGHT-LEFT FEED).
- 2. REELED WITH PAPER COVER.

ORIGINAL DOCUMENT
 UNDER REVISION
 BY *P. Heyden*
 DATE *16.05.96*



GENERAL TOLERANCE $\pm 0,3$ mm.

NOTES	FINISH	MATERIAL	PARTNUMBER
Δ	PRE-TINPLATED	PH. BRONZE	6-160914-8
Δ	PRE-TINPLATED	BRASS	6-160914-7
Δ	TINPLATED	PH. BRONZE	160914-4
Δ	UNPLATED	PH. BRONZE	160914-3
Δ	TINPLATED	BRASS	160914-2
Δ	UNPLATED	BRASS	160914-1

CUSTOMER DRAWING

AMP

TYCO ELECTRONICS AMP
BARCELONA, SPAIN

FOR REFERENCE ONLY
WILL NOT BE UPDATED

~~THIS DRAWING IS UNPUBLISHED~~ RELEASED FOR PUBLICATION JULY, 1987

© COPYRIGHT 1987 BY AMP-HOLLAND B.V.
ALL INTERNATIONAL RIGHTS RESERVED.
AMP PRODUCTS MAY BE COVERED BY U.S. AND FOREIGN PATENTS AND/OR PATENTS PENDING.

DR. L.V.D. HEYDEN	DATE 02.07.87	WIRE RANGE 4,0-6,0 mm ²	NAME .250 SRS FASTIN-ON RECEPTACLE.	REV. DATE D M Y 17 01 03
CHK. A.B.	DATE 10.08.87	INSUL. RANGE 4,0-5,2mmDIA		
APP. L.v. Soest	DATE 25.08.87	SIZE A3	SHEET 1 OF 1	DWG. No. C-160914
				REV. LTR. D1

8

7

6

5

4

3

2

1

X-ON Electronics

Largest Supplier of Electrical and Electronic Components

Click to view similar products for [Terminals](#) category:

Click to view products by [TE Connectivity](#) manufacturer:

Other Similar products are found below :

[00-054007-01074-6](#) [00-054007-70206-1](#) [00-054007-70210-8](#) [00-054007-70217-7](#) [00-054007-70226-9](#) [00-054007-70228-3](#) [00-054007-70248-1](#) [00-054007-70256-6](#) [00-054007-70301-3](#) [00-054007-70316-7](#) [00-054007-49560-4](#) [00-054007-70209-2](#) [00-054007-70225-2](#) [00-054007-70227-6](#) [00-054007-70231-3](#) [00-054007-70241-2](#) [00-054007-70242-9](#) [00-054007-70244-3](#) [00-054007-70246-7](#) [00-054007-70263-4](#) [00-054007-70288-7](#) [00-054007-70290-0](#) [00-054007-70300-6](#) [00-054007-70304-4](#) [01-2065-1-0216](#) [01-2900-1-04412](#) [00581P0075](#) [600TS-10](#) [60205-1](#) [604200-1](#) [605601-1](#) [60598-1-CUT-TAPE](#) [61314-6-C](#) [61810-3](#) [61-S](#) [61-SN](#) [626-0194](#) [62-NBM-A](#) [62-SN](#) [62-SP](#) [63-S](#) [640179-1](#) [M55155/059I03](#) [M55155/079C01](#) [M55155/099H02](#) [M55155/109H01](#) [M55155/109H02](#) [M55155/12XH05](#) [M55155/16XH02](#) [M55155/29-5S](#)