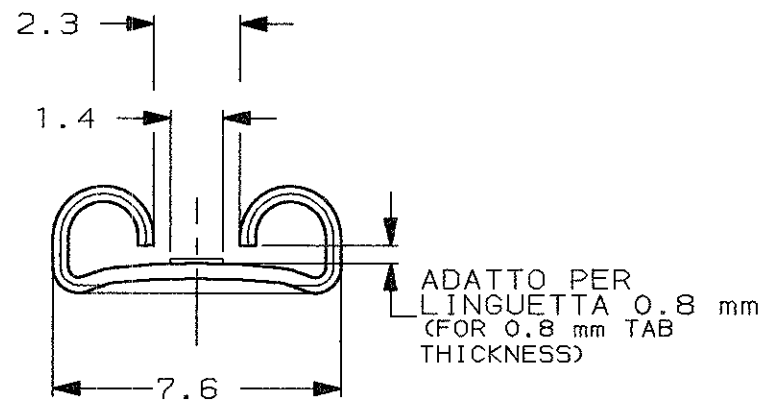
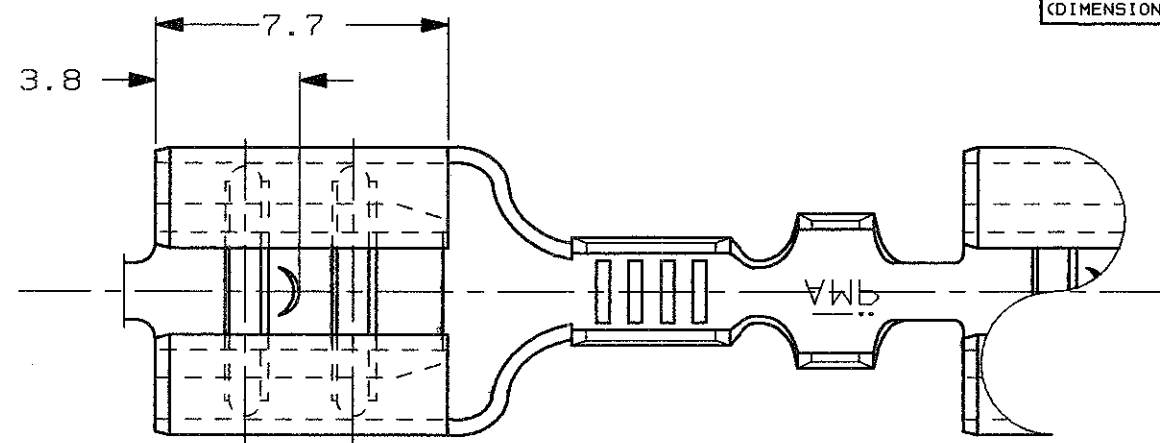


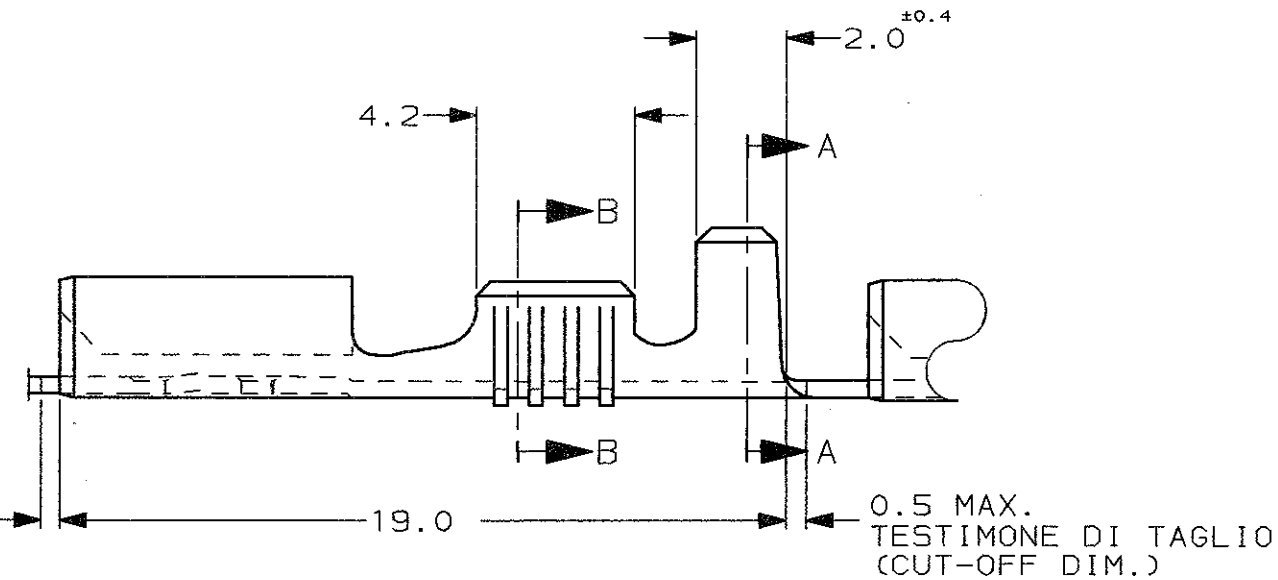
SCALA NON IMPEGNATIVA
(DO NOT SCALE)
DIMENSIONI IN mm
(DIMENSIONS IN mm)

METRIC

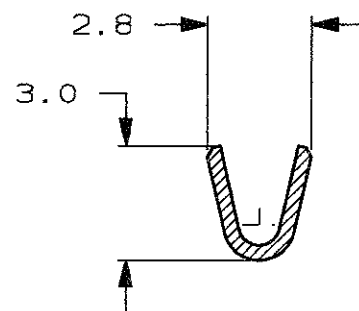
THIRD ANGLE
PROJECTION



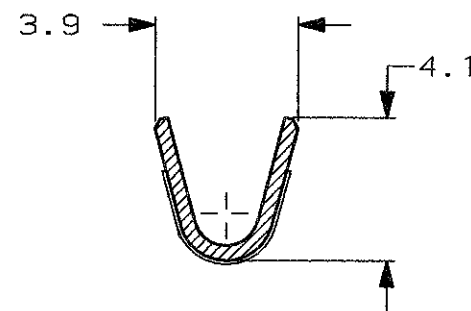
0.5 MAX.
TESTIMONE DI TAGLIO
(CUT-OFF DIM.)



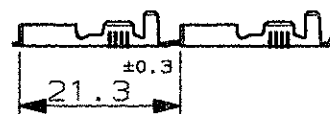
SEZIONE B-B
(SECTION B-B)



SEZIONE A-A
(SECTION A-A)



1) STATO DI FORNITURA - SCALA 1:1
(SUPPLY CONDITION - SCALE 1:1)



SENSO DI USCITA
DEL TERMINALE
DALLA BOBINA
(DIRECTION OFF
TOP OF REEL)

2) SPECIFICA DI PRODOTTO 108-20019
(PRODUCT SPEC. 108-20019)

⚠ NON DISPONIBILE DA AMP ITALIA
(NOT AVAILABLE FROM AMP ITALY)

3	STAGNATO (TIN PLATED)	OTTONE (BRASS)	0-160915-5
	STAGNATO (TIN PLATED)	BRONZO FOS. (PH. BRONZE)	0-160915-2
	NUDO (UNPLATED)	BRONZO FOS. (PH. BRONZE)	0-160915-1
NOTE	FINITURA / COLORE (FINISH / COLOUR)	MATERIALE (MATERIAL)	NUMERO (AMP P/N)

CUSTOMER DWG. FOR REFERENCE ONLY **DISEGNO PER CLIENTE SOLO PER RIFERIMENTO**

~~THIS DRAWING IS UNPUBLISHED~~ RELEASE FOR PUBLICATION 19

© COPYRIGHT 19 BY AMP INCORPORATED, HARRISBURG, PA. ALL INTERNATIONAL RIGHT RESERVED. AMP PRODUCTS MAY BE COVERED BY U.S. AND FOREIGN PATENT AND/OR PATENT PENDING

TOLLERANZE: SE NON DIVERSAMENTE SPECIFICATO (TOLERANCES, UNLESS OTHERWISE SPECIFIED)	DIAM. ISOLANTE (INS. DIA. RANGE)	RANGO FILO (WIRE RANGE) mm2	SCALA (SCALE)
± 0.3	1.4-2.3	0.5-1.0	5:1

AMP **AMP ITALIA S.p.A.**
Corso F. Lli Cervi, 15
COLLEGNO (TORINO)

DIS. H. YAALI (DR.) 14 JUN 2000
DESCRIZIONE (DESCRIPTION) **FASTON® Connector, .250" sr. REC. CONTACT.**

CONT. C. TARTARI (CHK) 14 JUN 2000
LOC. SIZE NUMERO (DWG NO) REV. FOGLIO (SHEET)
I A3 C-160915 J 1 (OF) 1

J	OBSOLETE PARTS & REDRAWN ET00-0309-99	H. Y. 09 MAR 2000	APP. (CAPP.)
REV. (REV.)	REVISIONI (REVISION RECORD)	DIS. DATA (DR) (DATE)	

DISTRIBUZIONE (PRINT DIST.)

X-ON Electronics

Largest Supplier of Electrical and Electronic Components

Click to view similar products for [Terminals](#) category:

Click to view products by [TE Connectivity](#) manufacturer:

Other Similar products are found below :

[00-054007-01074-6](#) [00-054007-70206-1](#) [00-054007-70210-8](#) [00-054007-70217-7](#) [00-054007-70226-9](#) [00-054007-70228-3](#) [00-054007-70248-1](#) [00-054007-70256-6](#) [00-054007-70301-3](#) [00-054007-70316-7](#) [00-054007-49560-4](#) [00-054007-70209-2](#) [00-054007-70225-2](#) [00-054007-70227-6](#) [00-054007-70231-3](#) [00-054007-70241-2](#) [00-054007-70242-9](#) [00-054007-70244-3](#) [00-054007-70246-7](#) [00-054007-70263-4](#) [00-054007-70288-7](#) [00-054007-70290-0](#) [00-054007-70300-6](#) [00-054007-70304-4](#) [01-2065-1-0216](#) [01-2900-1-04412](#) [00581P0075](#) [600TS-10](#) [60205-1](#) [604200-1](#) [605601-1](#) [60598-1-CUT-TAPE](#) [61314-6-C](#) [61810-3](#) [61-S](#) [61-SN](#) [626-0194](#) [62-NBM-A](#) [62-SN](#) [62-SP](#) [63-S](#) [640179-1](#) [M55155/059I03](#) [M55155/079C01](#) [M55155/099H02](#) [M55155/109H01](#) [M55155/109H02](#) [M55155/12XH05](#) [M55155/16XH02](#) [M55155/29-5S](#)