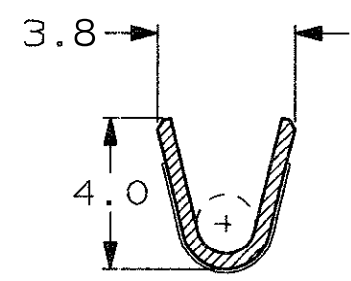


SCALA NON IMPEGNATIVA
(DO NOT SCALE)
DIMENSIONI IN mm
(DIMENSIONS IN mm)

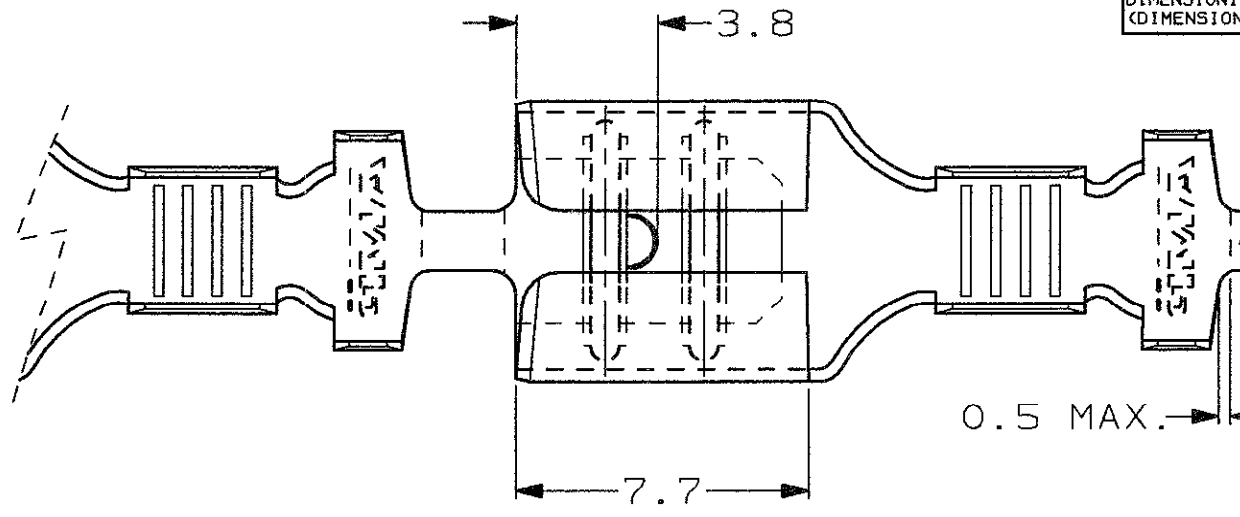
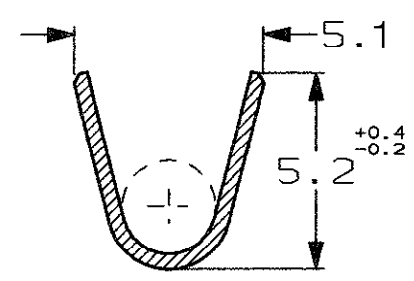
METRIC

PROIEZIONE EUROPEA
(EUROPEAN PROJECTION)

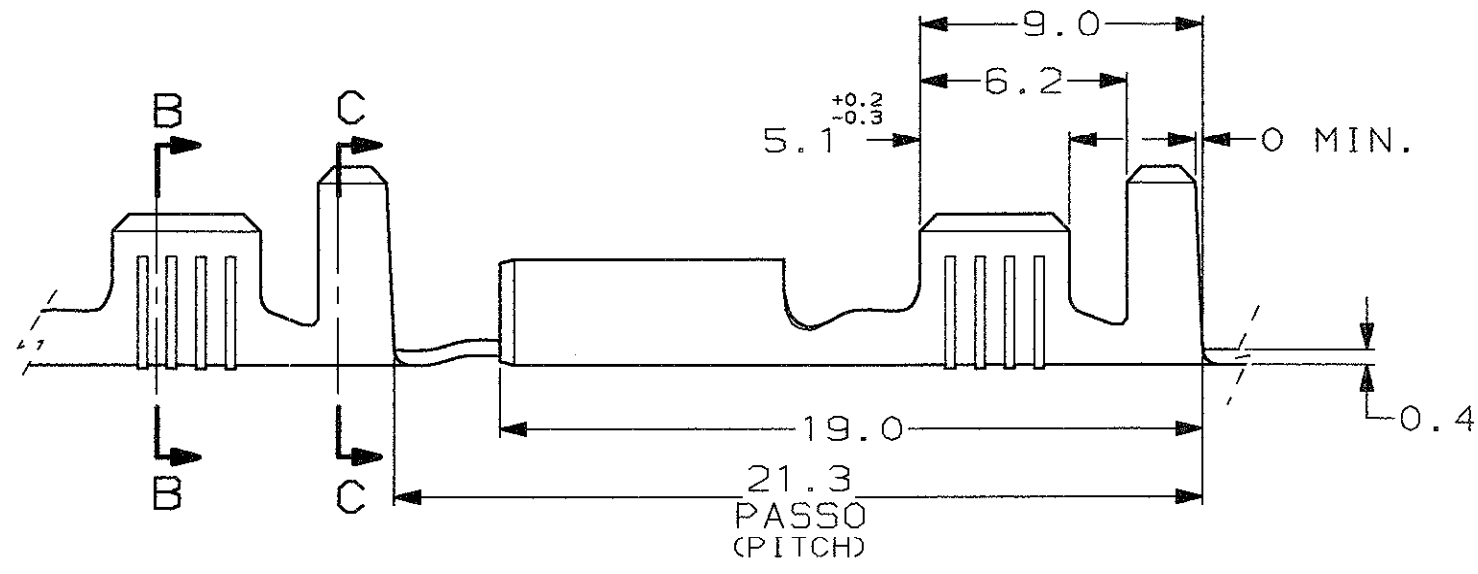
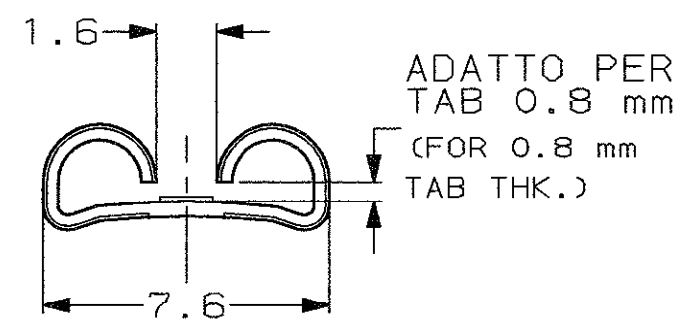
SEZIONE B-B
(SECTION B-B)



SEZIONE C-C
(SECTION C-C)



TESTIMONE
DI TAGLIO
(CUT-OFF DIMENSION)



1) STATO DI FORNITURA -SCALA 1:1
(SUPPLY CONDITION -SCALE 1:1)



SENSO DI USCITA
DEL TERMINALE
DALLA BOBINA
(DIRECTION OFF
TOP OF REEL)

2) SPECIFICA DI PRODOTTO 108-20019
(PROD. SPEC. 108-20019)

3) BOBINATO CON INTRODUZIONE DI CARTA INTERPOSTA.
QUANTITA'/BOBINA 5'000, QUANTITA'/SCATOLA 10'000.
(CREELED WITH INTERLEAVE PAPER STRIP,
Q.TY/REEL 5'000, Q.TY/BOX 10'000).

4) GIUNZIONE MEDIANTE SALDATURA IN ACCORDO A 115-16-1.
(SPLICE FREE ACCORDING TO 115-16-1).

4	NUDO (UNPLATED)	ACCIAIO (STEEL)	0-160916-6
	STAGNATO (TIN PLATED)	BRONZO FOSF. (PH. BRONZE)	0-160916-4
4	NUDO (UNPLATED)	BRONZO FOSF. (PH. BRONZE)	0-160916-3
	STAGNATO (TIN PLATED)	OTTONE (BRASS)	0-160916-2
NOTE	FINITURA / COLORE (FINISH / COLOUR)	MATERIALE (MATERIAL)	NUMERO (TE P/N)

CUSTOMER DWG. FOR REFERENCE ONLY		DISEGNO PER CLIENTE SOLO PER RIFERIMENTO	
THIS DRAWING IS UNPUBLISHED		RELEASE FOR PUBLICATION 19	
© COPYRIGHT 19 BY AMP INCORPORATED, HARRISBURG, PA. ALL INTERNATIONAL RIGHT RESERVED. AMP PRODUCTS MAY BE COVERED BY U.S. AND FOREIGN PATENT AND/OR PATENT PENDING			
TOLLERANZE, SE NON DIVERSAMENTE SPECIFICATO (TOLERANCES, UNLESS OTHERWISE SPECIFIED)	DIAM. ISOLANTE (INS. DIA. RANGE)	RANGO FILO (WIRE RANGE) mm2	SCALA (SCALE)
± 0.3	2.1-3.1	1.0-2.5	5:1
ANGOLI (ANGLES)	TE Connectivity		
± 2°	DESCRIZIONE (DESCRIPTION) FASTON® Connector, .250" sr. REC. CONTACT.		
REV. (REV.)	NUMERO (DWG NO)	REV.	FOLGIO (SHEET)
1	I A3 C-160916	P2	1 DI (OF) 1

DISTRIBUZIONE (PRINT/DIST.)

X-ON Electronics

Largest Supplier of Electrical and Electronic Components

Click to view similar products for [Terminals](#) category:

Click to view products by [TE Connectivity](#) manufacturer:

Other Similar products are found below :

[00-054007-01074-6](#) [00-054007-70206-1](#) [00-054007-70210-8](#) [00-054007-70217-7](#) [00-054007-70226-9](#) [00-054007-70228-3](#) [00-054007-70248-1](#) [00-054007-70256-6](#) [00-054007-70301-3](#) [00-054007-70316-7](#) [00-054007-49560-4](#) [00-054007-70209-2](#) [00-054007-70225-2](#) [00-054007-70227-6](#) [00-054007-70231-3](#) [00-054007-70241-2](#) [00-054007-70242-9](#) [00-054007-70244-3](#) [00-054007-70246-7](#) [00-054007-70263-4](#) [00-054007-70288-7](#) [00-054007-70290-0](#) [00-054007-70300-6](#) [00-054007-70304-4](#) [01-2065-1-0216](#) [01-2900-1-04412](#) [00581P0075](#) [600TS-10](#) [60205-1](#) [604200-1](#) [605601-1](#) [60598-1-CUT-TAPE](#) [61314-6-C](#) [61810-3](#) [61-S](#) [61-SN](#) [626-0194](#) [62-NBM-A](#) [62-SN](#) [62-SP](#) [63-S](#) [640179-1](#) [M55155/059I03](#) [M55155/079C01](#) [M55155/099H02](#) [M55155/109H01](#) [M55155/109H02](#) [M55155/12XH05](#) [M55155/16XH02](#) [M55155/29-5S](#)