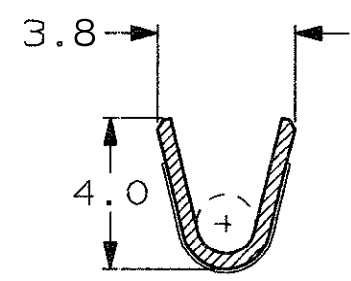


SCALA NON IMPEGNATIVA
(DO NOT SCALE)
DIMENSIONI IN mm
(DIMENSIONS IN mm)

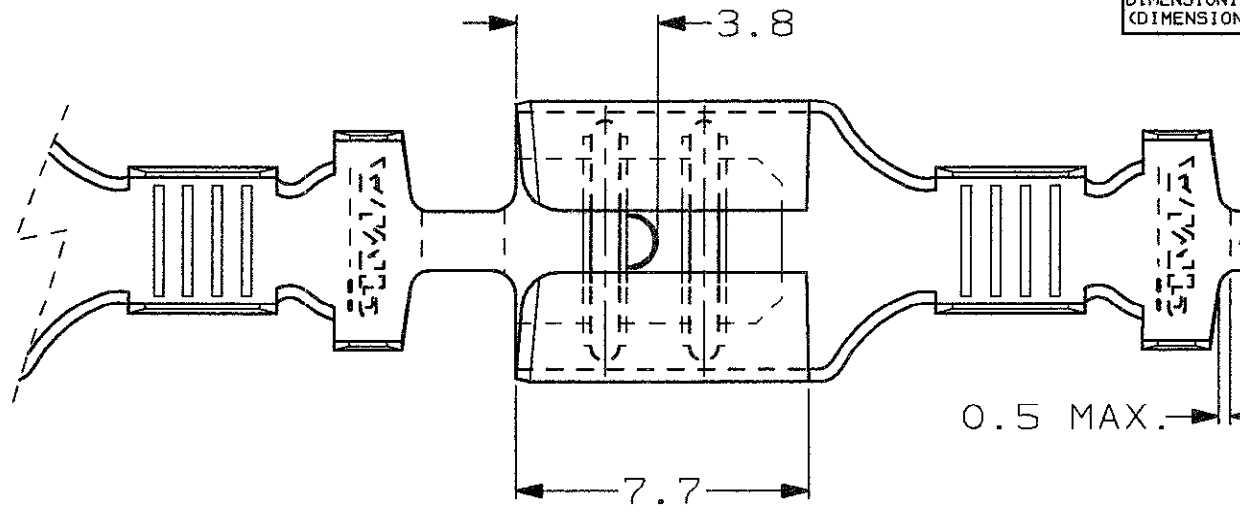
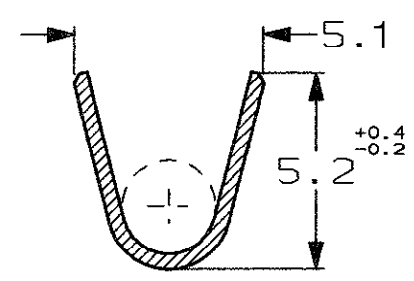
METRIC

PROIEZIONE EUROPEA
(EUROPEAN PROJECTION)

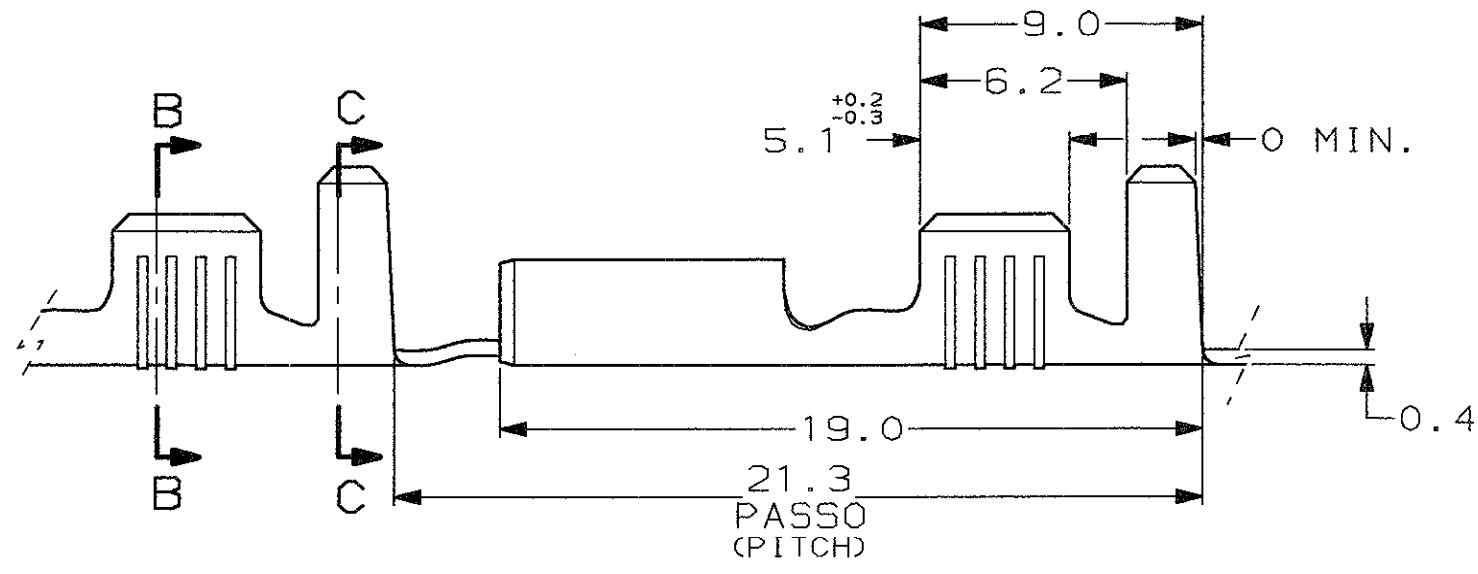
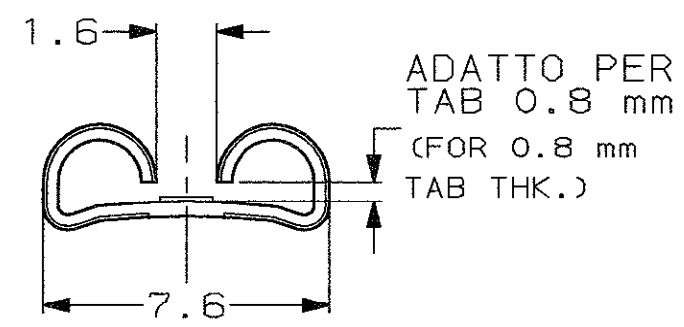
SEZIONE B-B
(SECTION B-B)



SEZIONE C-C
(SECTION C-C)



TESTIMONE
DI TAGLIO
(CUT-OFF DIMENSION)



1) STATO DI FORNITURA -SCALA 1:1
(SUPPLY CONDITION -SCALE 1:1)



SENSO DI USCITA
DEL TERMINALE
DALLA BOBINA
(DIRECTION OFF
TOP OF REEL)

2) SPECIFICA DI PRODOTTO 108-20019
(PROD. SPEC. 108-20019)

3) BOBINATO CON INTRODUZIONE DI CARTA INTERPOSTA.
QUANTITA'/BOBINA 5'000, QUANTITA'/SCATOLA 10'000.
(CREELED WITH INTERLEAVE PAPER STRIP,
Q.TY/REEL 5'000, Q.TY/BOX 10'000).

4) GIUNZIONE MEDIANTE SALDATURA IN ACCORDO A 115-16-1.
(SPlice FREE ACCORDING TO 115-16-1).

| | | | |
|------|-------------------------------------|---------------------------|-----------------|
| 4 | NUDO (UNPLATED) | ACCIAIO (STEEL) | 0-160916-6 |
| | STAGNATO (TIN PLATED) | BRONZO FOSF. (PH. BRONZE) | 0-160916-4 |
| 4 | NUDO (UNPLATED) | BRONZO FOSF. (PH. BRONZE) | 0-160916-3 |
| | STAGNATO (TIN PLATED) | OTTONE (BRASS) | 0-160916-2 |
| NOTE | FINITURA / COLORE (FINISH / COLOUR) | MATERIALE (MATERIAL) | NUMERO (TE P/N) |

CUSTOMER DWG. FOR REFERENCE ONLY
DISEGNO PER CLIENTE SOLO PER RIFERIMENTO

THIS DRAWING IS UNPUBLISHED - RELEASE FOR PUBLICATION IS
© COPYRIGHT 19 BY AMP INCORPORATED, HARRISBURG, PA. ALL INTERNATIONAL RIGHT RESERVED. AMP PRODUCTS MAY BE COVERED BY U.S. AND FOREIGN PATENT AND/OR PATENT PENDING

| | | | |
|--|----------------------------------|-----------------------------|---------------|
| TOLLERANZE, SE NON DIVERSAMENTE SPECIFICATO (TOLERANCES, UNLESS OTHERWISE SPECIFIED) | DIAM. ISOLANTE (INS. DIA. RANGE) | RANGO FILO (WIRE RANGE) mm2 | SCALA (SCALE) |
| ± 0.3 | 2.1-3.1 | 1.0-2.5 | 5:1 |

ANGOLI (ANGLES) ± 2°



| | | | | | |
|-----------------|--------------------------------|----------------|-------------|------------------------|-------------|
| P2 | ECR-14-013024 | D.C. | 01 SEP 2014 | DIS. H. YAALI (DR.) | 10 JAN 2000 |
| P1 | ADDED DASH 6 ET00-0272-00 | H.Y. | 18 OCT 2000 | | |
| P | OBSOLETE PARTS ET00-0054-00 | H.Y. | 01 SEP 2000 | CONT. C. TARTARI (CHK) | 10 JAN 2000 |
| N | REVISED & REDRAWN ET00-0405-99 | H.Y. | 17 JAN 2000 | | |
| REV. (REV. LTM) | REVISIONI (REVISION RECORD) | DIS. DATA (DR) | DATA (DATE) | APP. (APP.) | |

DESCRIZIONE (DESCRIPTION) FASTON® Connector, .250" sr. REC. CONTACT.

| | | | |
|----------------------|-----------------|------|----------------|
| LOC. SIZE (LOC. DIM) | NUMERO (DWG NO) | REV. | FOLGIO (SHEET) |
| I A3 | C-160916 | P2 | 1 DI (OF) 1 |

DISTRIBUZIONE (PRINT/DIST.)

X-ON Electronics

Largest Supplier of Electrical and Electronic Components

Click to view similar products for [Terminals](#) category:

Click to view products by [TE Connectivity](#) manufacturer:

Other Similar products are found below :

[00-054007-01074-6](#) [00-054007-70206-1](#) [00-054007-70210-8](#) [00-054007-70217-7](#) [00-054007-70226-9](#) [00-054007-70228-3](#) [00-054007-70248-1](#) [00-054007-70256-6](#) [00-054007-70301-3](#) [00-054007-70316-7](#) [00-054007-49560-4](#) [00-054007-70209-2](#) [00-054007-70225-2](#) [00-054007-70227-6](#) [00-054007-70231-3](#) [00-054007-70241-2](#) [00-054007-70242-9](#) [00-054007-70244-3](#) [00-054007-70246-7](#) [00-054007-70263-4](#) [00-054007-70288-7](#) [00-054007-70290-0](#) [00-054007-70300-6](#) [00-054007-70304-4](#) [01-2065-1-0216](#) [01-2900-1-04412](#) [00581P0075](#) [600TS-10](#) [60205-1](#) [604200-1](#) [605601-1](#) [60598-1-CUT-TAPE](#) [61314-6-C](#) [61810-3](#) [61-S](#) [61-SN](#) [626-0194](#) [62-NBM-A](#) [62-SN](#) [62-SP](#) [63-S](#) [640179-1](#) [M55155/059I03](#) [M55155/079C01](#) [M55155/099H02](#) [M55155/109H01](#) [M55155/109H02](#) [M55155/12XH05](#) [M55155/16XH02](#) [M55155/29-5S](#)