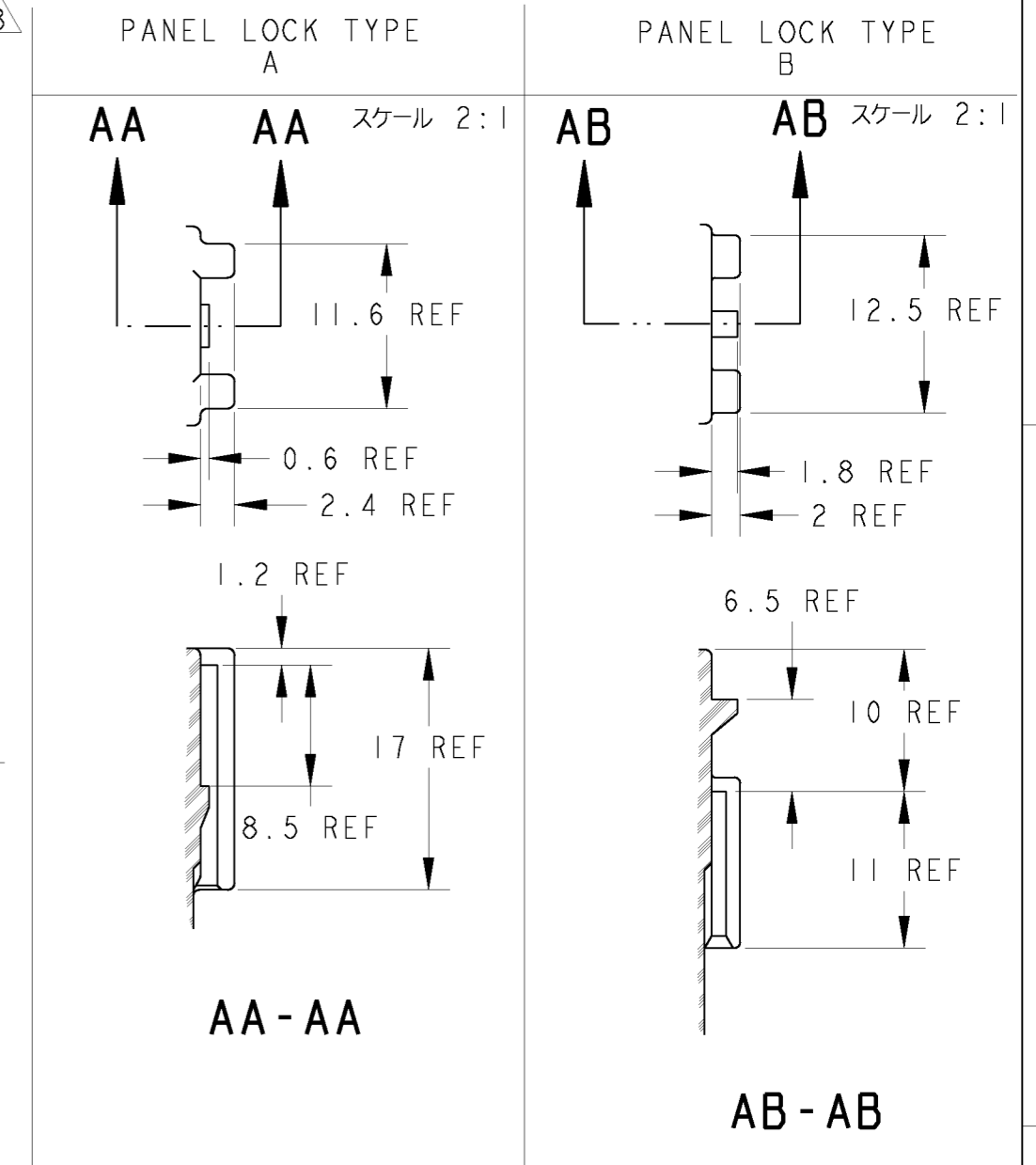
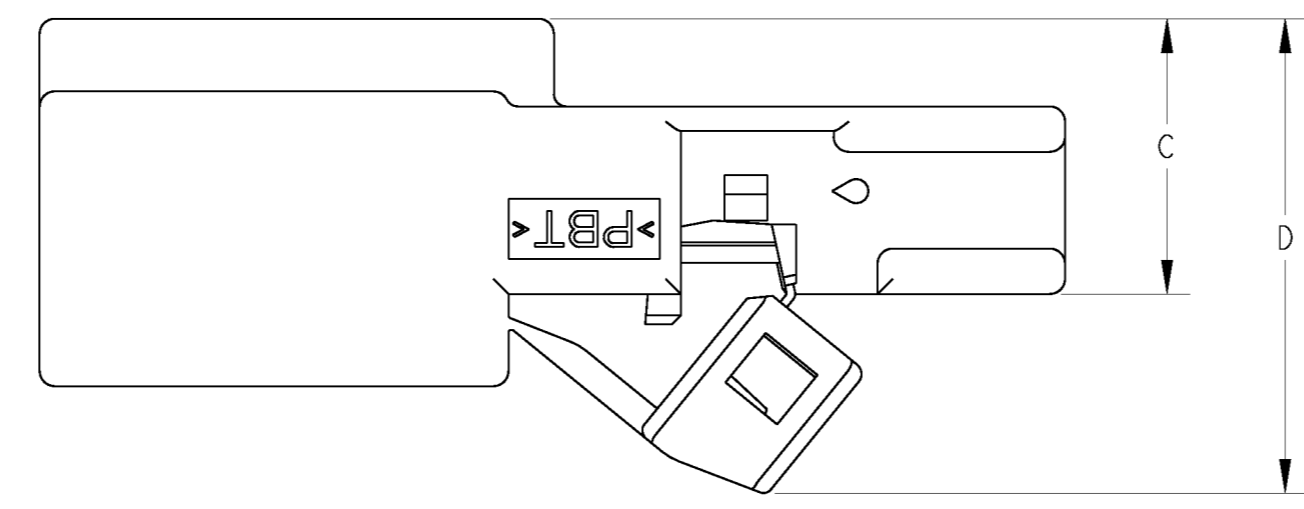
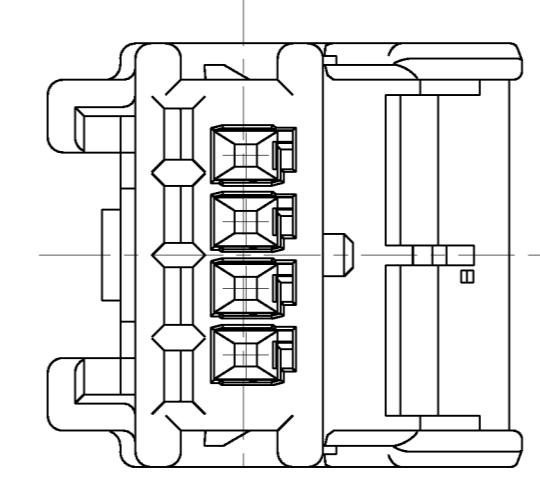
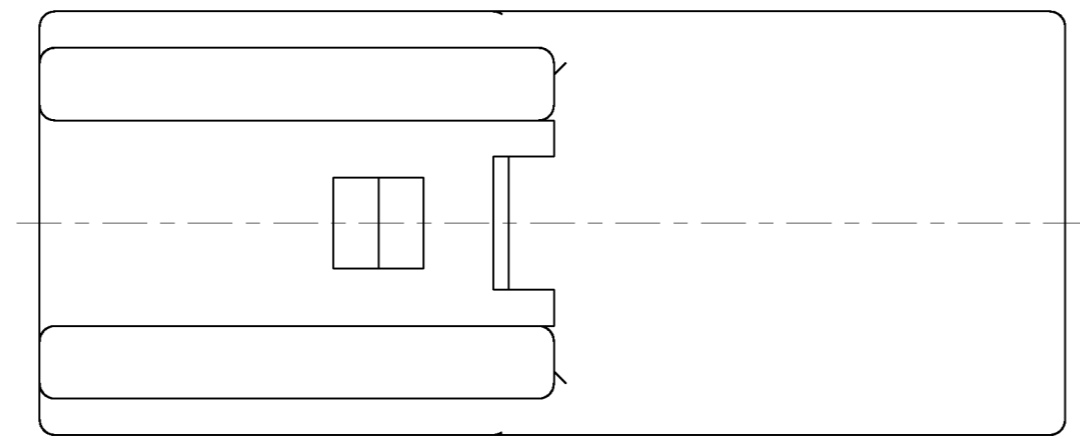
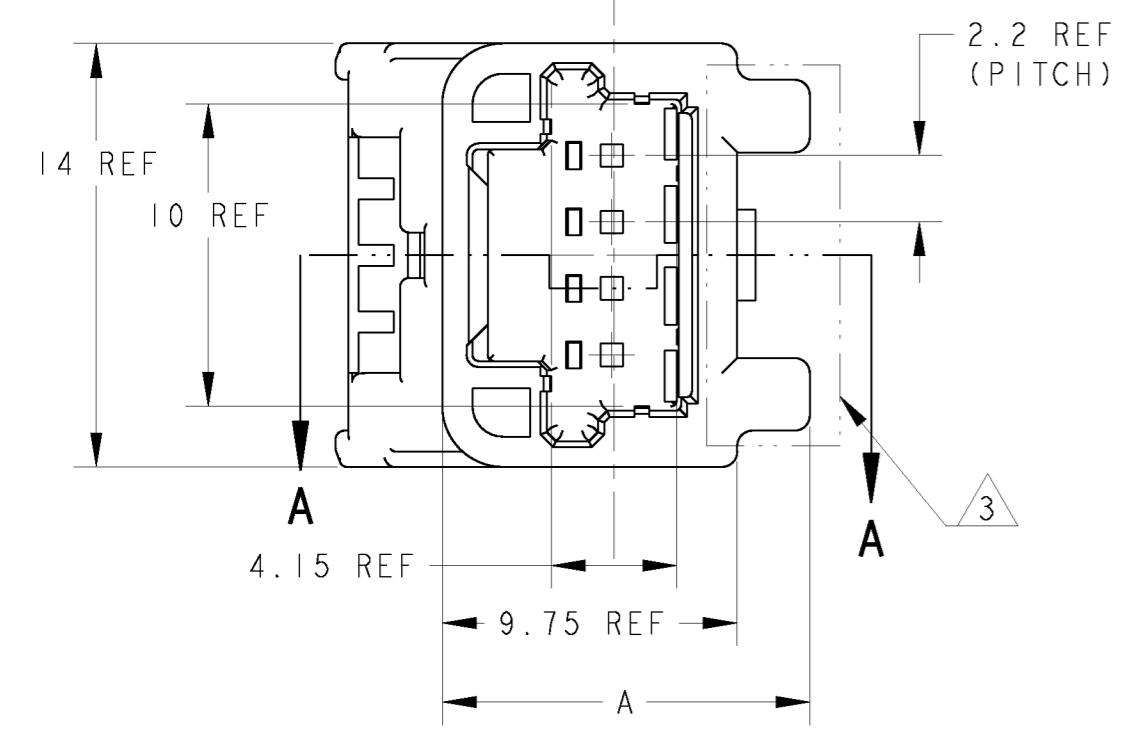
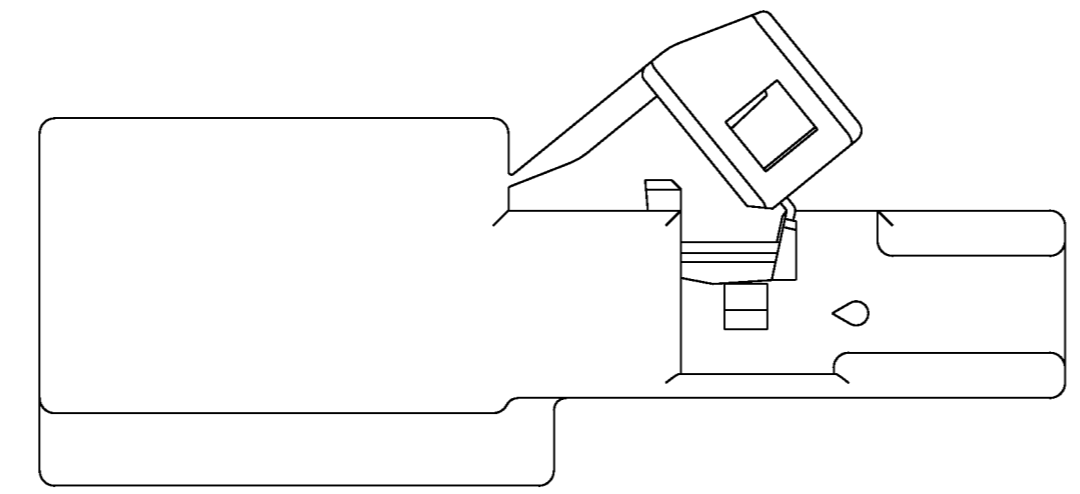
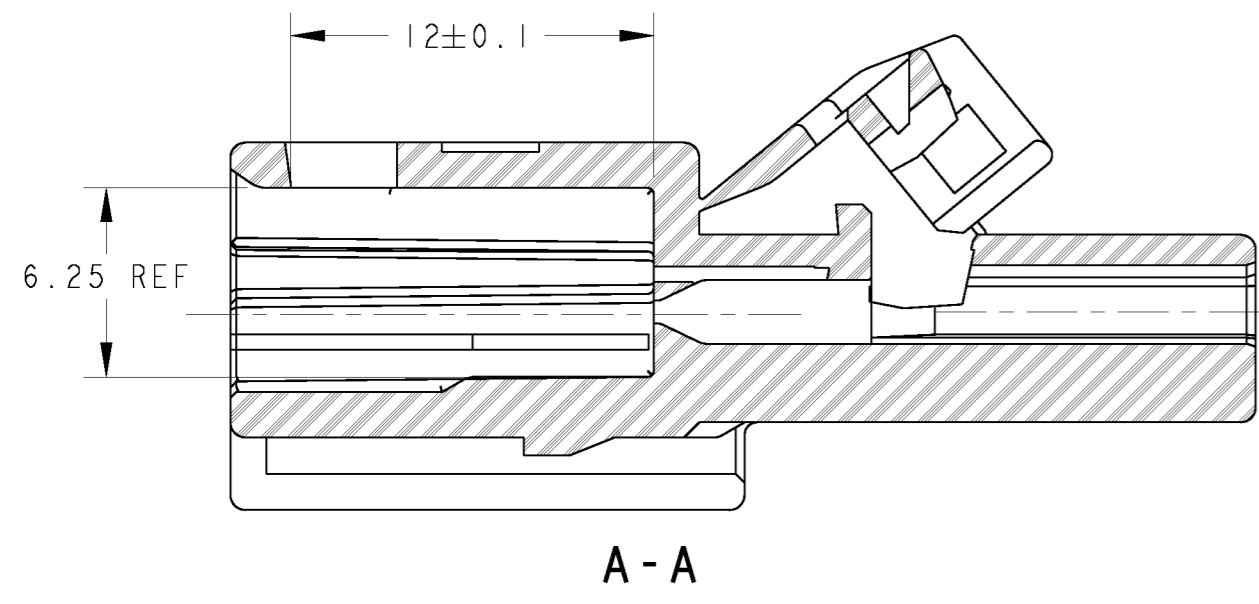


THIS DRAWING IS UNPUBLISHED. RELEASED FOR PUBLICATION 2002.11.1
 (C) COPYRIGHT 2002.11.1 ALL RIGHTS RESERVED.

LOC	DIST	REVISIONS					
J		P	LTR	DESCRIPTION	DATE	DWN	APVD
		P		REVISED PER ECO-11-005140	02APR2011	RK	HMR

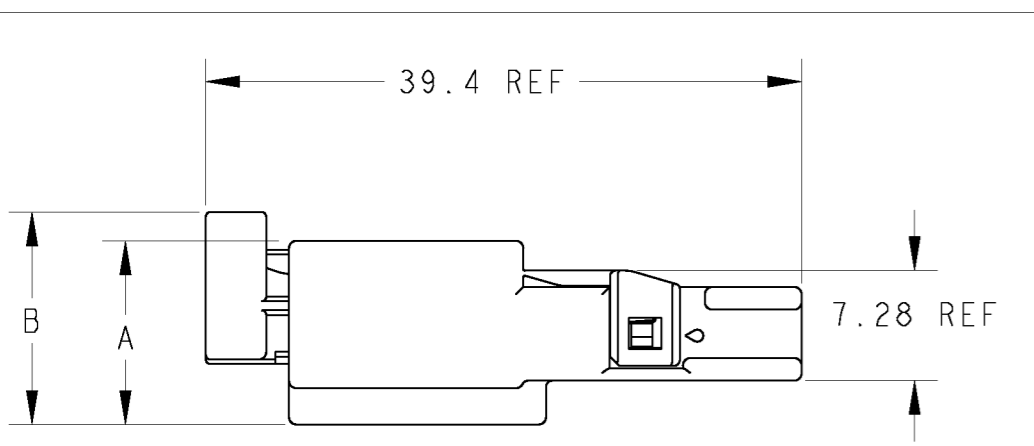


PART NO.	DIMENSION A 寸法 A	DIMENSION B 寸法 B	DIMENSION C 寸法 C	DIMENSION D 寸法 D
1612035-1	12.15 REF	14.05 REF	9.1 REF	15.7 REF
1612035-2	11.75 REF	13.65 REF	8.7 REF	15.3 REF

1. 嵌合相手品番; 1473672-1
2. 適用端子及び適用電線はTABLE-1参照
- △. 本品には、2種類のパネルロック形状がある
4. 取扱説明書NO.411-78050

1. PART NUMBER OF PLUG HOUSING; 1473672-1
2. APPLICABLE TERMINAL AND WIRE RANGE; REFER TO TABLE-1
- △. PANEL LOCK VARIATIONS
4. INSTRUCTION SHEET NO.411-78050

PACKING STYLE	COLOR	PANEL LOCK TYPE	PART NUMBER
PAPER BOX ダンボール箱	NATURAL	B	1612035-2
PLASTIC BAG ビニール袋	NATURAL	A	1612035-1
OUTER 外装	INNER 内装		
PACKING STYLE 梱包形態		PANEL LOCK TYPE パネルロック △	PART NUMBER 型番



ENGAGEMENT VIEW
嵌合状態図

TABLE - 1

TERMINAL	FINISH	APPLICABLE WIRE RANGE
1674742-1	TIN	AVSS/AVSSH-f CAVS/CAVUS 0.3~0.5mm ²

THIS DRAWING IS A CONTROLLED DOCUMENT.

DIMENSIONS: 単位: 概 mm	TOLERANCES UNLESS OTHERWISE SPECIFIED: 一般公差 ±0.3 0-PLC ± 1-PLC ±0.5 2-PLC ±0.13 3-PLC ±0.013 4-PLC ±0.001 ANGLES ±3°00'	DWN N. YASUDA 29OCT02 CHK I. KOHNO 29OCT02 APVD N. SAI 29OCT02	NAME N. SAI
MATERIAL 材料	FINISH 仕上	PRODUCT SPEC 108-5787 APPLICATION SPEC 114-5340	SIZE A200779
PBT	SEE TABLE	WEIGHT 3.1 g	DRAWING NO C-1612035

CUSTOMER DRAWING SCALE 4:1 SHEET 1 OF 2 REV P

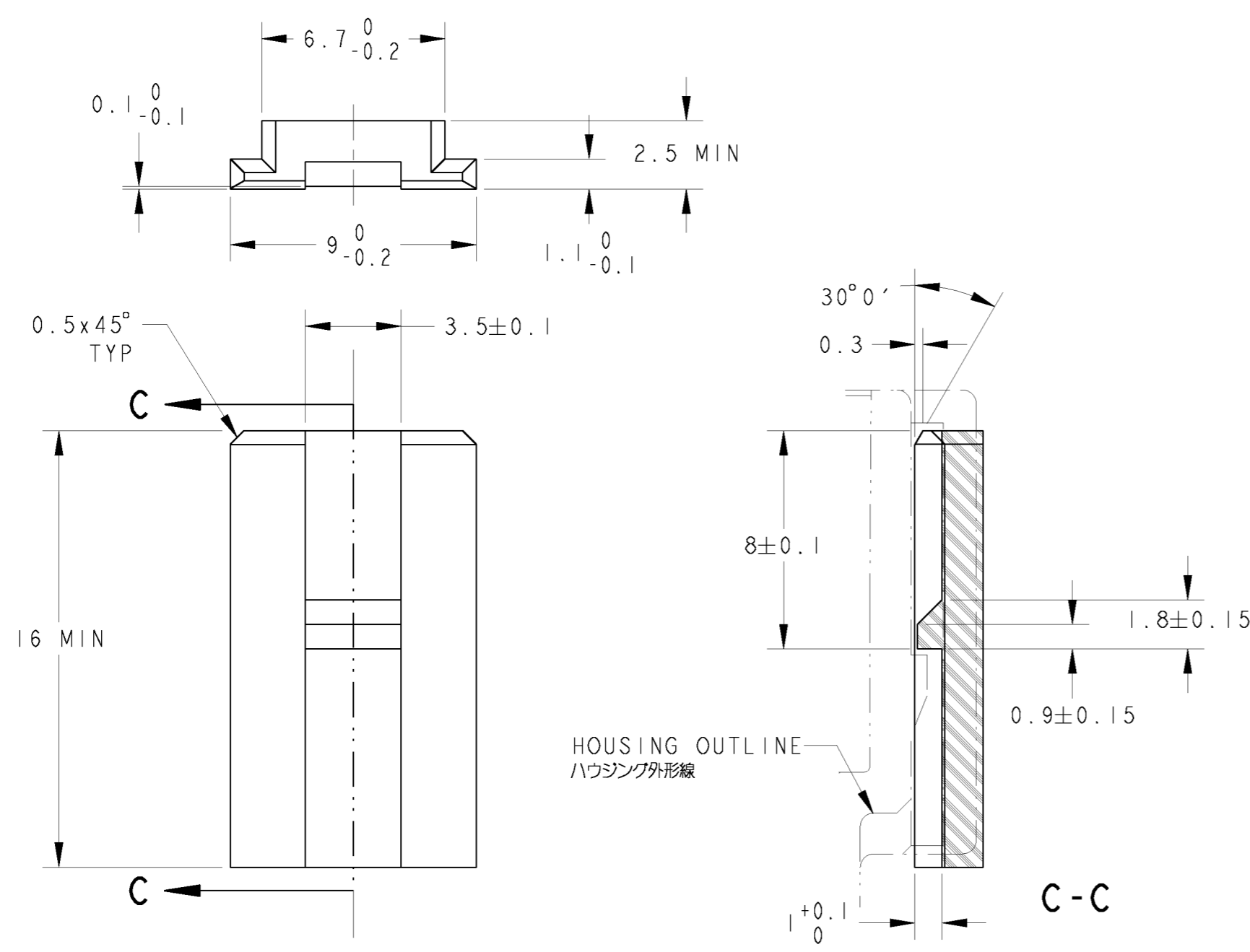


025G W-W CONNECTOR
4POS CAP HOUSING

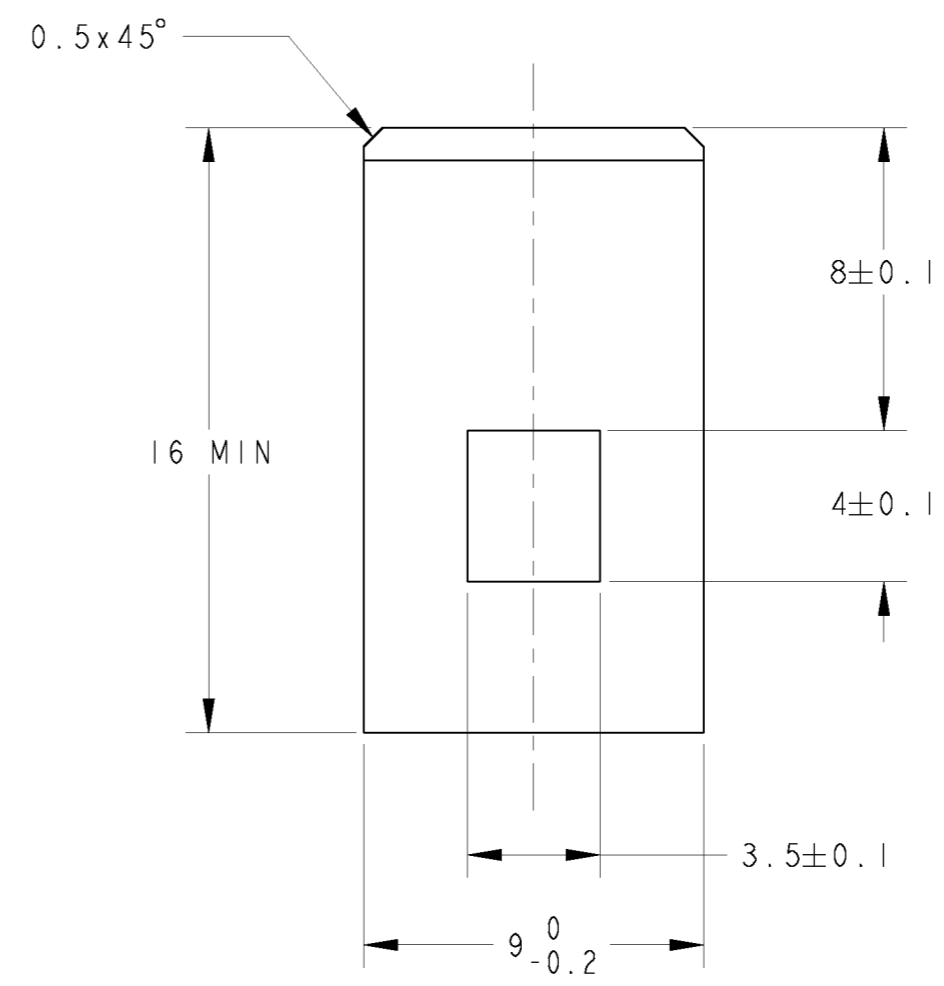
THIS DRAWING IS UNPUBLISHED. RELEASED FOR PUBLICATION 2002.11.1
 ALL RIGHTS RESERVED. COPYRIGHT 2002.11.1

LOC		DIST		REVISIONS			
P	LTR	DESCRIPTION	DATE	DWN	APVD		
-	-	SEE SHEET 1	-	-	-		

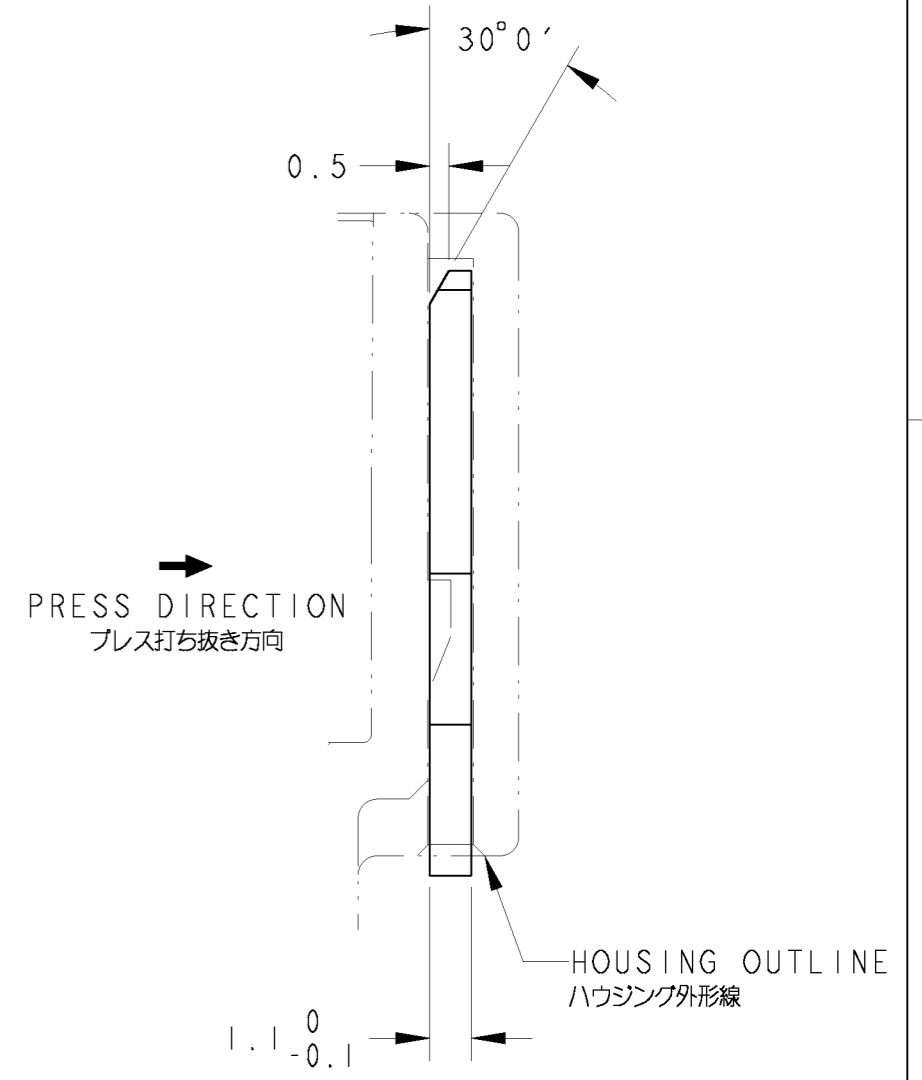
MATING TO PANEL LOCK A



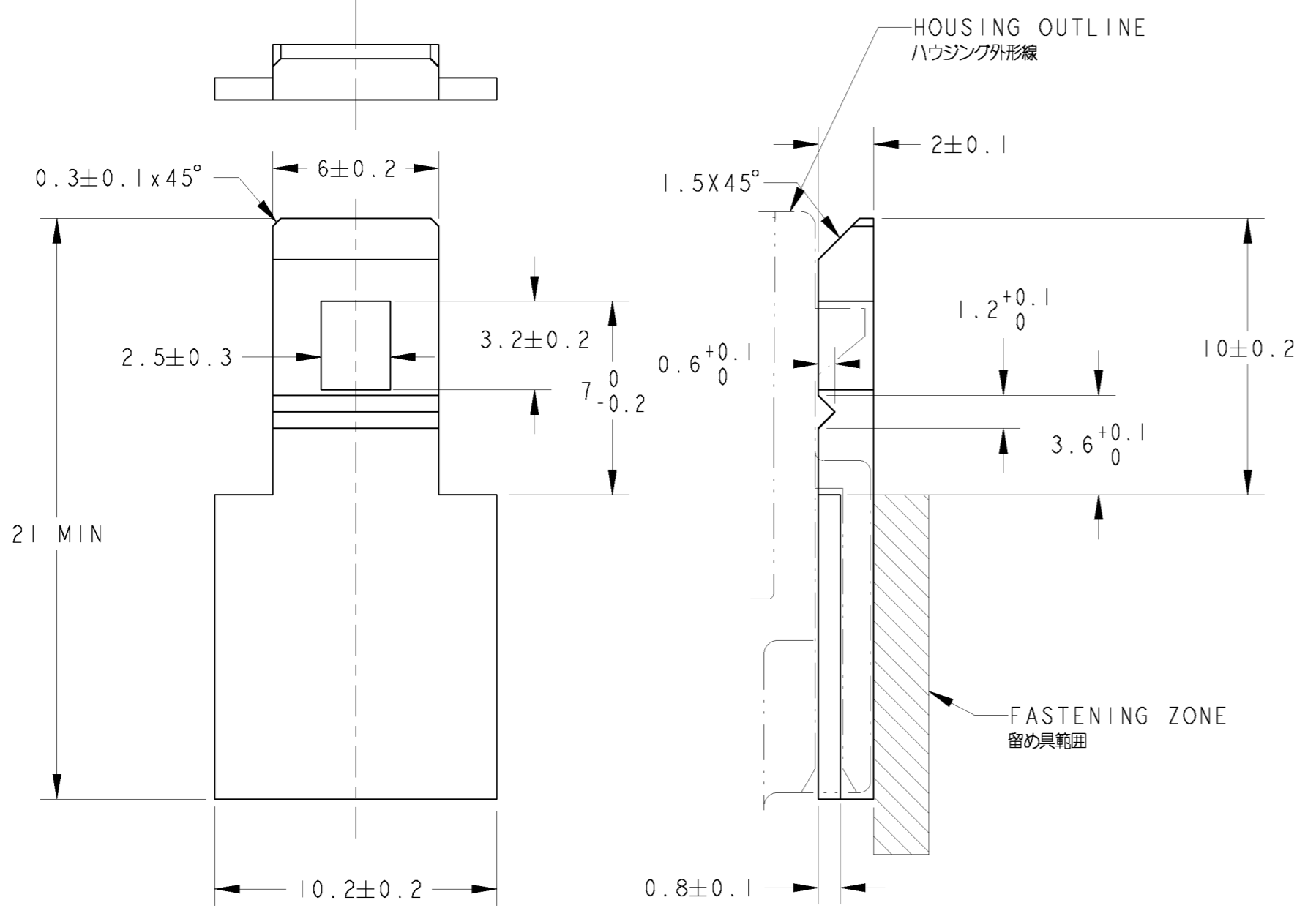
MATERIAL: PLASTIC 材料: 樹脂



MATERIAL: METAL 材料: 金属



MATING TO PANEL LOCK B



MATERIAL: PLASTIC 材料: 樹脂

THIS DRAWING IS A CONTROLLED DOCUMENT.		DWN N. YASUDA	29OCT02	STE TE Connectivity
DIMENSIONS: mm		CHK I. KOHNO	29OCT02	
TOLERANCES UNLESS OTHERWISE SPECIFIED: ±0.15		APVD N. SAI	29OCT02	
0-PLC ± 1-PLC ±0.5 2-PLC ±0.13 3-PLC ±0.013 4-PLC ±0.0001 ANGLES ±1°00' FINISH		NAME N. SAI	29OCT02	
SEE TABLE		PRODUCT SPEC SEE 1 OF 2	APPLICATION SPEC SEE 1 OF 2	NAME 025G W-W CONNECTOR 4POS CAP HOUSING
		MATERIAL	WEIGHT SEE 1 OF 2	SIZE A200779
		CUSTOMER DRAWING		DRAWING NO C-1612035
		SCALE 1:1		RESTRICTED TO
		SHEET 2 OF 2		REV P

X-ON Electronics

Largest Supplier of Electrical and Electronic Components

Click to view similar products for [Automotive Connectors](#) category:

Click to view products by [TE Connectivity](#) manufacturer:

Other Similar products are found below :

[003-018-000](#) [60403001](#) [60993906-B](#) [M902-2131](#) [M902-2161](#) [72.330.1035.1](#) [73.353.4028.0](#) [F119300-B](#) [F166900](#) [F258300-B](#) [F358300-B](#)
[F407400](#) [F444110](#) [F487000](#) [F509500B-B](#) [827153-1](#) [8N1515-32-24P](#) [9-1326729-8](#) [925474-1](#) [928905-1](#) [964562-4](#) [968782-1](#) [GT17SA-8DS-](#)
[HU](#) [98891-1012](#) [98947-1016](#) [12004147](#) [12004475-L](#) [12010290](#) [12010309-B](#) [12015454](#) [12020219-B](#) [12020308](#) [12041318-B](#) [12052225-L](#)
[12052466](#) [12059125](#) [12064869](#) [12004327-B](#) [12010503-B](#) [12015308](#) [12015384](#) [12015909](#) [1-21030-1](#) [12041254](#) [12041318](#) [12047946-B](#)
[12047957](#) [12047957-L](#) [12059473](#) [12066261](#)