

4

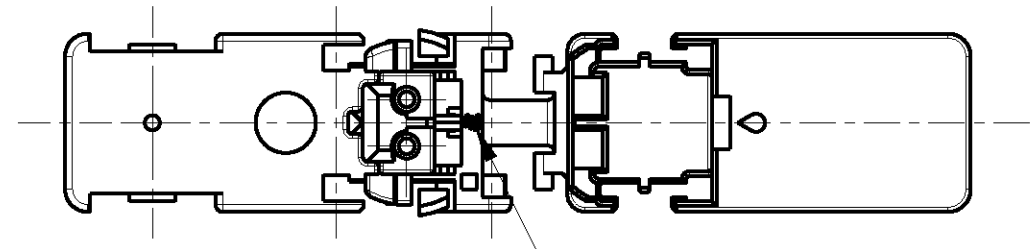
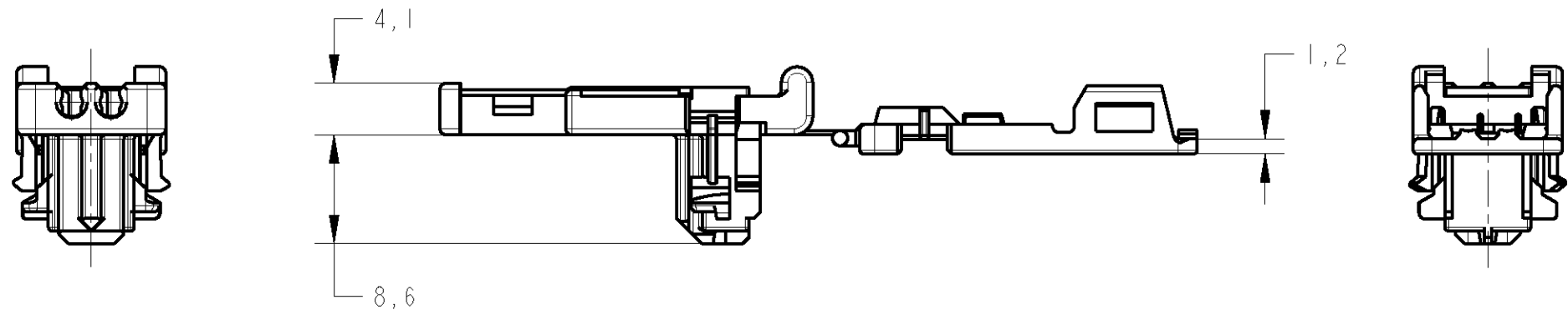
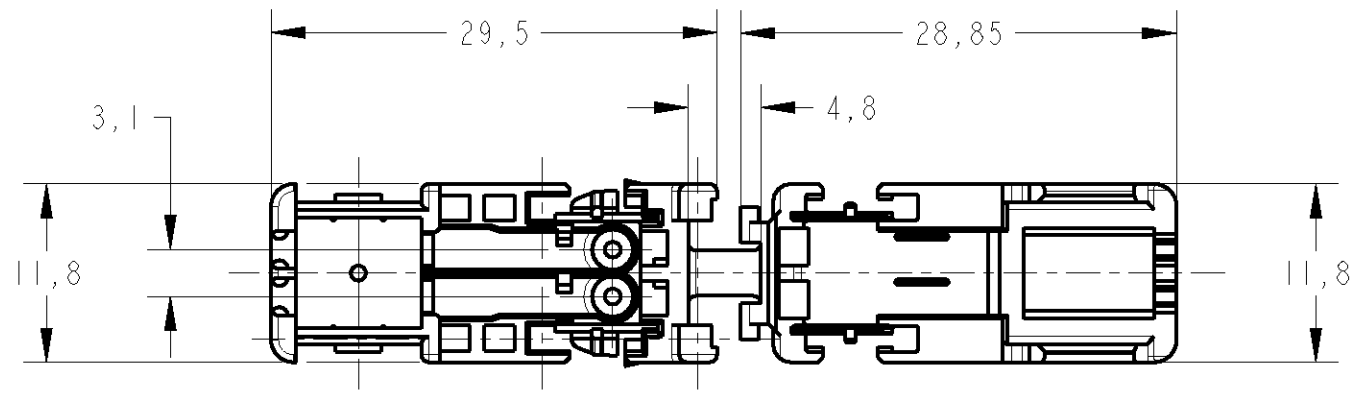
3

2

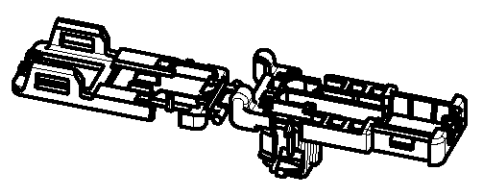
1

THIS DRAWING IS UNPUBLISHED. RELEASED FOR PUBLICATION 20
 © COPYRIGHT 20 BY TYCO ELECTRONICS CORPORATION. ALL INTERNATIONAL RIGHTS RESERVED.

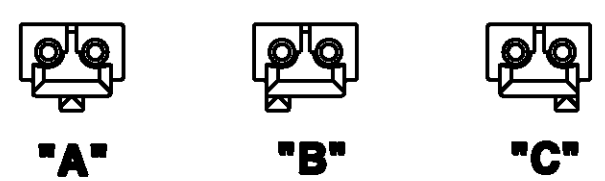
LOC	DIST	REVISIONS					
		P	LTR	DESCRIPTION	DATE	DWN	APVD
AP	-		A	RELEASED RSA-10-091-01	10SEP2010	NCL	DAO
			AI	REVISED BY ECO-10-023502	17NOV2010	NCL	ASV



- 1- TERMINAL APLICÁVEL NÚMERO: 353376 (BITOLA DO CABO: AVSS,CAVS 0,3~0,5mm²) FERRITE APLICÁVEL NÚMERO: 353379.
 - 2- ESTE PRODUTO DEVE SER UTILIZADO COM O 11 DIA SQUIB MK-2 SLIM PLUG HSG TRAVAMENTO INFERIOR (NÚMERO 1612119).
 - 3- MONTAR ANEL CURTO-CIRCUITO NÚMERO DA PEÇA: 699638,1376766,1473369.
 - 4- FORMA DE INTERFACE VER O DESENHO DO ANEL DE CURTO-CIRCUITO.
 - 5- FOLHA DE INSTRUÇÃO: 411-78040.
- 1- APPLICABLE TERMINAL P/N: 353376 (WIRE RANGE: AVSS,CAVS 0,3~0,5mm²) APPLICABLE FERRITE P/N: 353379.
 - 2- THIS PRODUCT SHOULD BE USED WITH THE 11 DIA SQUIB SLIM MK-2 PLUG HSG LOCKING BUTTON (P/N: 1612119).
 - 3- MATING SHORT-CIRCUIT RING PART NUMBER: 699638, 1376766, 1473369.
 - 4- ABOUT THE FORM OF INTERFACE, SEE THE DRAWING OF SHORT-CIRCUIT RING.
 - 5- INSTRUCTION SHEET: 411-78040.



PERSPECTIVE VIEW
SCALE 1:1



POSIÇÃO RIB
RIB POSITION

THIS DRAWING IS A CONTROLLED DOCUMENT FOR TYCO ELECTRONICS CORPORATION IT IS SUBJECT TO CHANGE AND THE CONTROLLING ENGINEERING ORGANIZATION SHOULD BE CONTACTED FOR THE LATEST REVISION.

DIMENSIONS: mm		TOLERANCES UNLESS OTHERWISE SPECIFIED:	
0 PLC	±	0 PLC	±
1 PLC	±0,2	1 PLC	±
2 PLC	±	2 PLC	±
3 PLC	±	3 PLC	±
4 PLC	±	4 PLC	±
ANGLES	±°	FINISH	SEE TABLE
MATERIAL	SEE TABLE	WEIGHT	-

AMARELO/YELLOW	C	TRIBIT 1503(K)	1612120 -4
FINISH	RIB POS	MATERIAL	PART NUMBER
DWN NCLAPRESA 10SEP2010	Tyco Electronics TYCO ELECTRONICS Brasil LTDA. Sao Paulo, Brasil		
CHK JRGOLDSCHMIDT 10SEP2010	NAME 11 DIA SQUIB SLIM MK-2 PLUG HSG		
APVD DAOLIVEIRA 10SEP2010	SIZE A3 CAGE CODE 00779 DRAWING NO C-1612120-4 RESTRICTED TO -		
PRODUCT SPEC -	SCALE 3:1 SHEET 1 OF 1 REV AI		
APPLICATION SPEC -	CUSTOMER DRAWING		

X-ON Electronics

Largest Supplier of Electrical and Electronic Components

Click to view similar products for [Automotive Connectors](#) category:

Click to view products by [TE Connectivity](#) manufacturer:

Other Similar products are found below :

[003-018-000](#) [60403001](#) [60993906-B](#) [M902-2131](#) [M902-2161](#) [72.330.1035.1](#) [73.353.4028.0](#) [F119300-B](#) [F166900](#) [F258300-B](#) [F358300-B](#)
[F407400](#) [F444110](#) [F487000](#) [F509500B-B](#) [827153-1](#) [8N1515-32-24P](#) [9-1326729-8](#) [925474-1](#) [928905-1](#) [964562-4](#) [968782-1](#) [GT17SA-8DS-](#)
[HU](#) [98891-1012](#) [98947-1016](#) [12004147](#) [12004475-L](#) [12010290](#) [12010309-B](#) [12015454](#) [12020219-B](#) [12020308](#) [12041318-B](#) [12052225-L](#)
[12052466](#) [12059125](#) [12064869](#) [12004327-B](#) [12010503-B](#) [12015308](#) [12015384](#) [12015909](#) [1-21030-1](#) [12041254](#) [12041318](#) [12047946-B](#)
[12047957](#) [12047957-L](#) [12059473](#) [12066261](#)