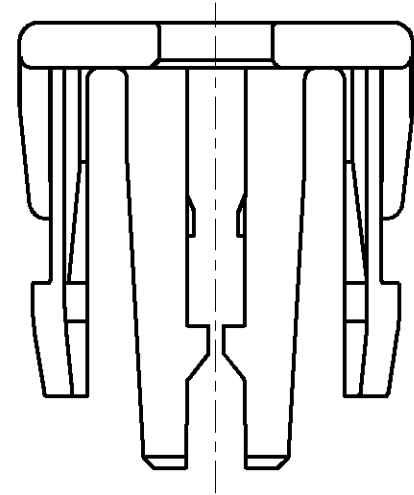
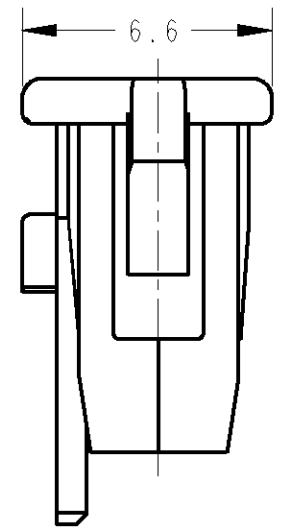
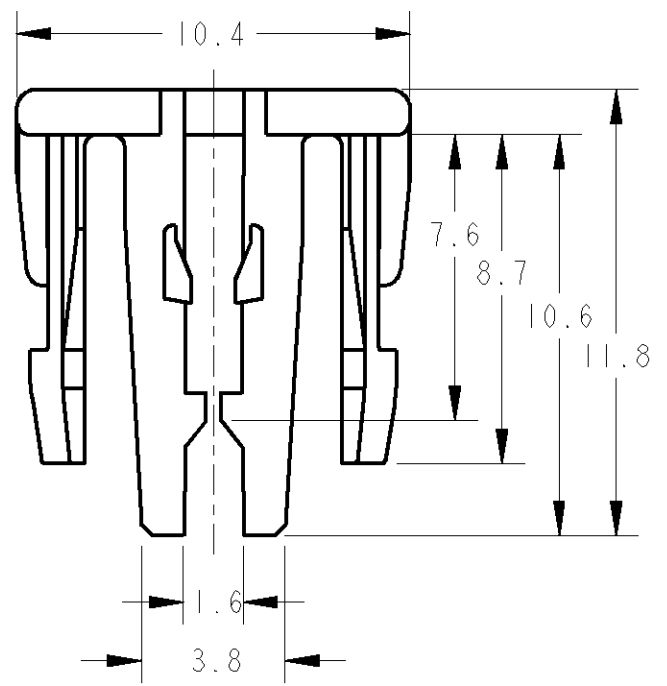
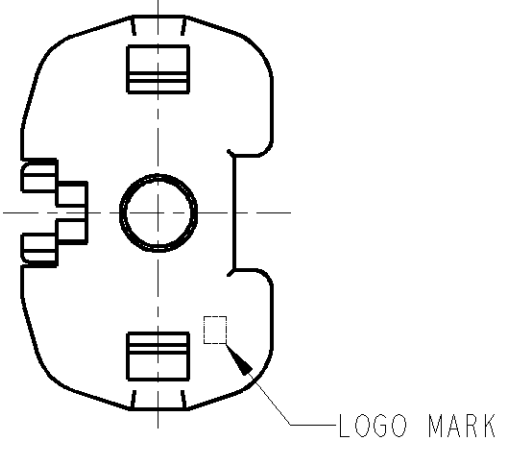


THIS DRAWING IS UNPUBLISHED. RELEASED FOR PUBLICATION 20
 © COPYRIGHT 20 BY TYCO ELECTRONICS CORPORATION. ALL RIGHTS RESERVED.

LOC	DIST	REVISIONS						
		P	LTR	DESCRIPTION	ECN	DATE	DWN	APVD
J	-		0	RELEASED	FJA0-0144-03	26MAR2003	RN	HY
			01	REVISED	FJA0-0785-04	05NOV2004	A.O	H.Y
			A	REVISED	ECR-10-007504	17MAY10	TS	KB



1. THIS PRODUCT SHOULD BE USED WITH THE IIDIA SQUIB CONNECTOR COMPACT TYPE PLUG HOUSING (P/N: 1612121). THE APPLICABLE SHORT CIRCUIT RING FOR THIS PRODUCT IS P/N 1473369.
 2. INSTRUCTION SHEET: 411-78033

1. 本製品は IIDIA SQUIB CONNECTOR COMPACT TYPE PLUG HOUSING (P/N: 1612121) に装着して使用する。
 本製品之適用可能なショートサーキットリングは、P/N 1473369である。
 2. 取扱説明書: 411-78033

YELLOW	1612122-1
COLOR	PART NUMBER

<small>THIS DRAWING IS A CONTROLLED DOCUMENT FOR TYCO ELECTRONICS CORPORATION. IT IS SUBJECT TO CHANGE AND THE CONTROLLING ENGINEERING ORGANIZATION SHOULD BE CONTACTED FOR THE LATEST REVISION.</small>		DWN R. NAGAI 26MAR2003 CHK T. HAYASHI 26MAR2003 APVD H. YAMAGAMI 26MAR2003		Tyco Electronics Corporation Kawasaki, Japan	
DIMENSIONS: 単位: 概 mm 		TOLERANCES UNLESS OTHERWISE SPECIFIED: 一般公差 ±0.2 0-PLC ± 1-PLC ±0.1 2-PLC ±0.01 3-PLC ±0.001 4-PLC ±0.0001 ANGLES ±1.00'		NAME 名称 IIDIA SQUIB CONNECTOR COMPACT TYPE BUTTON PRODUCT SPEC 製品規格 108-5679 APPLICATION SPEC 取付適用規格 -	
MATERIAL 材料 PBT G30 FINISH 仕上 SEE TABLE		WEIGHT 0.2 g CUSTOMER DRAWING		SIZE A3 CAGE CODE 00779 DRAWING NO. 番号 C=1612122 RESTRICTED TO - SCALE 尺度 5:1 SHEET 1 OF 1 REV A	

X-ON Electronics

Largest Supplier of Electrical and Electronic Components

Click to view similar products for [Automotive Connectors](#) category:

Click to view products by [TE Connectivity](#) manufacturer:

Other Similar products are found below :

[003-018-000](#) [60403001](#) [60993906-B](#) [M902-2131](#) [M902-2161](#) [72.330.1035.1](#) [73.353.4028.0](#) [F119300-B](#) [F166900](#) [F258300-B](#) [F358300-B](#)
[F407400](#) [F444110](#) [F487000](#) [F509500B-B](#) [827153-1](#) [8N1515-32-24P](#) [9-1326729-8](#) [925474-1](#) [928905-1](#) [964562-4](#) [968782-1](#) [GT17SA-8DS-](#)
[HU](#) [98891-1012](#) [98947-1016](#) [12004147](#) [12004475-L](#) [12010290](#) [12010309-B](#) [12015454](#) [12020219-B](#) [12020308](#) [12041318-B](#) [12052225-L](#)
[12052466](#) [12059125](#) [12064869](#) [12004327-B](#) [12010503-B](#) [12015308](#) [12015384](#) [12015909](#) [1-21030-1](#) [12041254](#) [12041318](#) [12047946-B](#)
[12047957](#) [12047957-L](#) [12059473](#) [12066261](#)