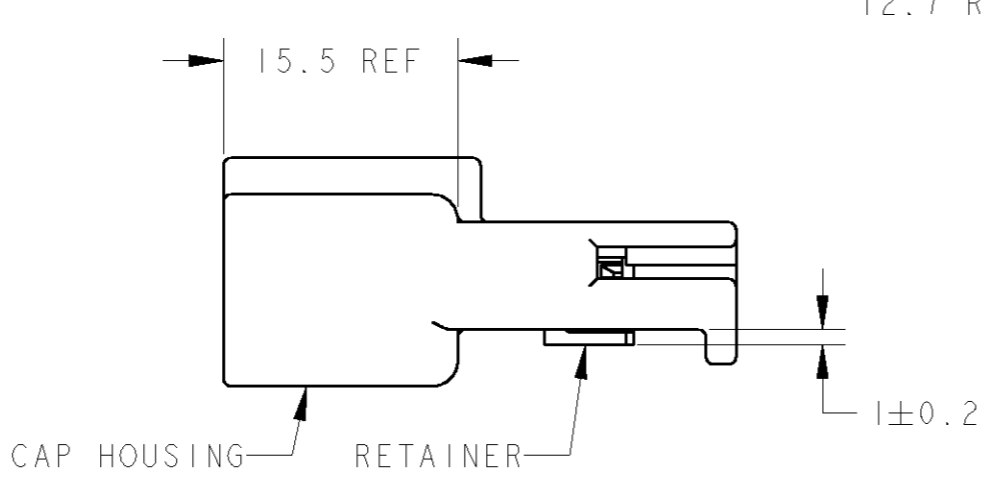
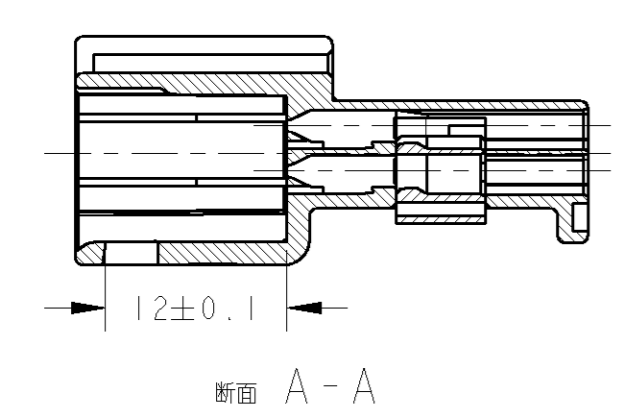
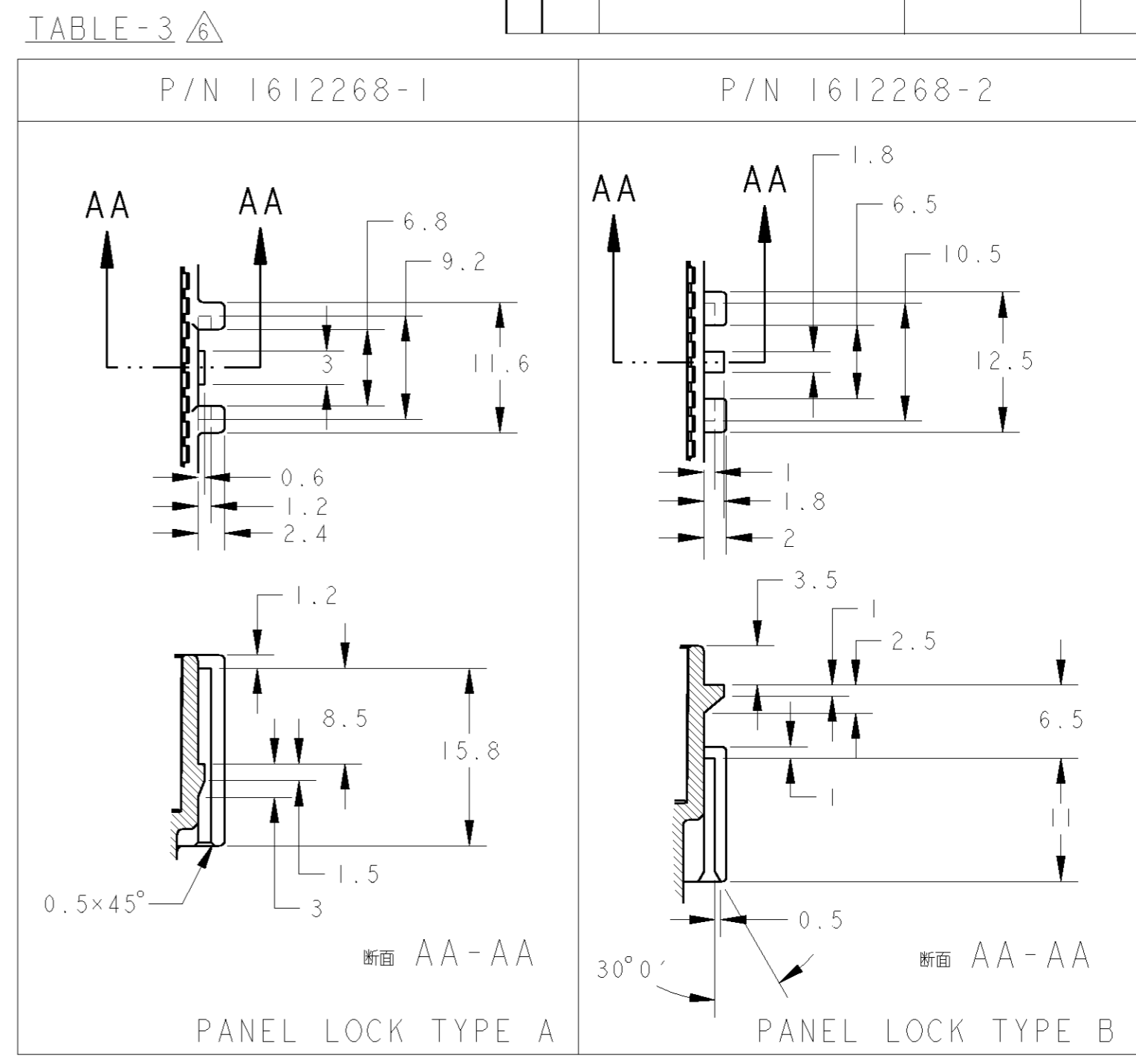
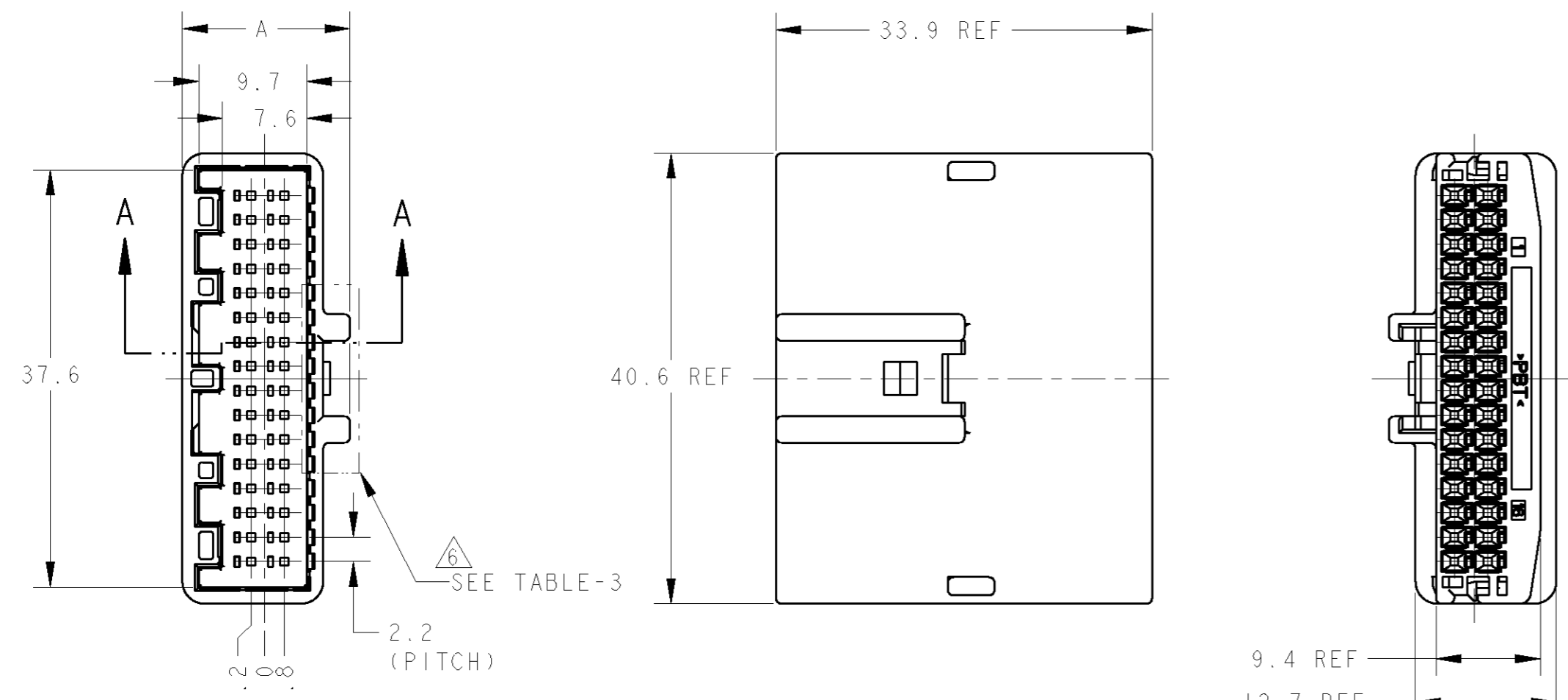


THIS DRAWING IS UNPUBLISHED. RELEASED FOR PUBLICATION 20
 © COPYRIGHT 20 BY TYCO ELECTRONICS CORPORATION. ALL RIGHTS RESERVED.

REVISONS					
P	LTR	DESCRIPTION	ECN	DATE	APVD
0		RELEASED	FJA0-0202-03	28MAY03	D.M K.S
01		REVISED	ECR-05-000898	24MAR05	D.M K.S



PART NO.	DIMENSION A 寸法 A	DIMENSION B 寸法 B
1612268-1	15.1 REF	17.0 REF
1612268-2	14.7 REF	16.6 REF

1. RETAINER MUST BE SET TO THE PRE-ASSEMBLY POSITION WITHIN THE CAP HOUSING WHEN SHIPPED TO THE CUSTOMER.
 2. RETAINER MUST BE OUT SIDE OF CAP HOUSING AT PRE-ASSEMBLY
 3. INSTRUCTION SHEET NO.; 411-78011
 4. PART NUMBER OF PLUG HOUSING TO BE MATED; SEE TABLE-1
 5. APPLICABLE TERMINAL; TABLE-2
- △ PANEL LOCK VARIATIONS; REFFER TO TABLE-3

1. リテーナはキャップ・ハウジングに仮係止して出荷される。
 2. 仮係止時、リテーナはハウジングの外側に出ていること。
 3. 取扱説明書NO.; 411-78011
 4. 嵌合相手型番; TABLE-1参照
 5. 適用端子; TABLE-2参照
- △ 本品には2種類のパネルロック形状がある
TABLE-3参照

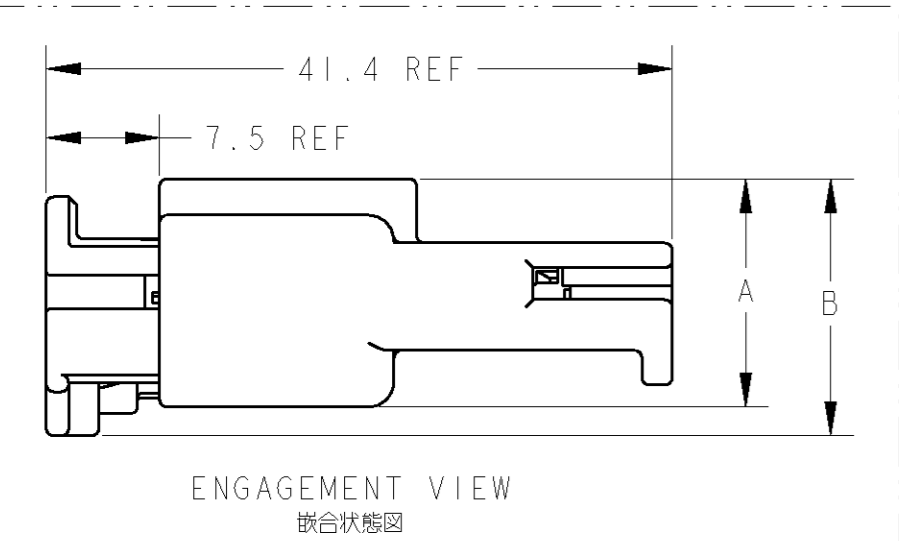
TABLE-1

POS 極数	TERMINATION TYPE 結線方式	PLUG ASSEMBLY PART NO. 嵌合相手型番
32	CRIMP	1318747

TABLE-2

TYPE 端子種類	FINISH 仕上	APPLICABLE TERMINAL P/N	APPLICABLE WIRE RANGE 適用電線
SIGNAL 025	TIN	1674742-1	AVSS/CAVS/CAVUS/AVSSH-f 0.3~0.5mm ²

PRELIMINARY	PAPER BOX ダンボール箱	PLASTIC BAG ビニール袋	TYPE B	NATURAL	1612268-2	
	PAPER BOX ダンボール箱	PLASTIC BAG ビニール袋	TYPE A	NATURAL	1612268-1	
PACKING STYLE 梱包形態		OUTER 外表	INNER 内装	パネルロックタイプ PANEL LOCK TYPE	COLOR 色	PART NUMBER 型番



THIS DRAWING IS A CONTROLLED DOCUMENT FOR TYCO ELECTRONICS CORPORATION
IT IS SUBJECT TO CHANGE AND THE CONTROLLING ENGINEERING ORGANIZATION
SHOULD BE CONTACTED FOR THE LATEST REVISION.

DIMENSIONS: 単位: 概 mm	TOLERANCES UNLESS OTHERWISE SPECIFIED: 一般公差 ±0.3 +PLC ±0.5 -PLC ±0.13 2-PLC ±0.13 3-PLC ±0.013 4-PLC ±0.001 ANGLES ±3°00'	DWN D. MATSUURA 28MAY03 CHK T. KOHNO 28MAY03 APVD K. SHIMIZU 28MAY03	NAME K. SHIMIZU	Tyco Electronics AMP K.K. Kawasaki, Japan
MATERIAL 材料 PBT	FINISH 仕上 SEE TABLE	PRODUCT SPEC 108-5787 APPLICATION SPEC 114-5340	SIZE A2	025 G W-W CONNECTOR 32POSITION CAP HOUSING ASSEMBLY
CUSTOMER DRAWING		WEIGHT 7.4g	CAGE CODE 00779	DRAWING NO. 1612268
		RESTRICTED TO //		SHEET OF 1 REV 01

X-ON Electronics

Largest Supplier of Electrical and Electronic Components

Click to view similar products for [Automotive Connectors](#) category:

Click to view products by [TE Connectivity](#) manufacturer:

Other Similar products are found below :

[003-018-000](#) [60403001](#) [60993906-B](#) [M902-2131](#) [M902-2161](#) [M902-2344](#) [72.330.1035.1](#) [73.353.4028.0](#) [F119300-B](#) [F166900](#) [F258300-B](#)
[F358300-B](#) [F407400](#) [F444110](#) [F487000](#) [F509500B-B](#) [827153-1](#) [8N1515-32-24P](#) [9-1326729-8](#) [925474-1](#) [928905-1](#) [964562-4](#) [968782-1](#)
[GT17SA-8DS-HU](#) [98891-1012](#) [98947-1016](#) [12004147](#) [12004475-L](#) [12010290](#) [12010309-B](#) [12015454](#) [12020219-B](#) [12041318-B](#) [12052225-](#)
[L](#) [12052466](#) [12064869](#) [12004327-B](#) [12015308](#) [12015384](#) [12015909](#) [1-21030-1](#) [12041254](#) [12041318](#) [12047946-B](#) [12047957](#) [12047957-L](#)
[12059473](#) [12066261](#) [12110546](#) [12110546-B](#)