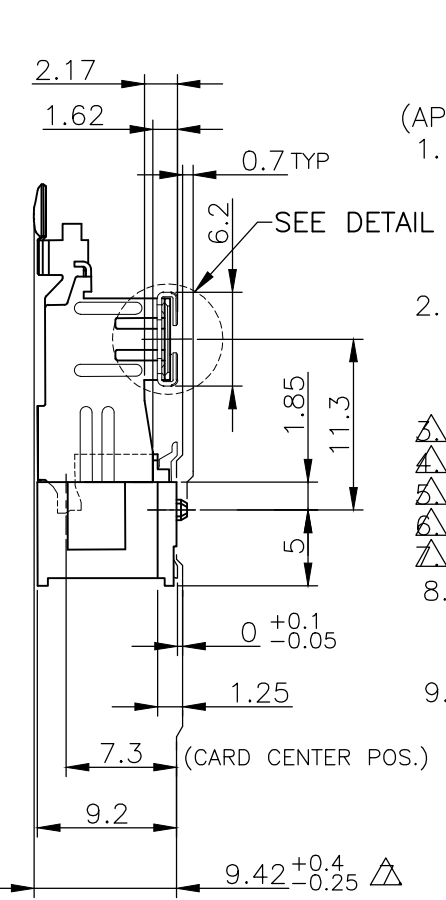
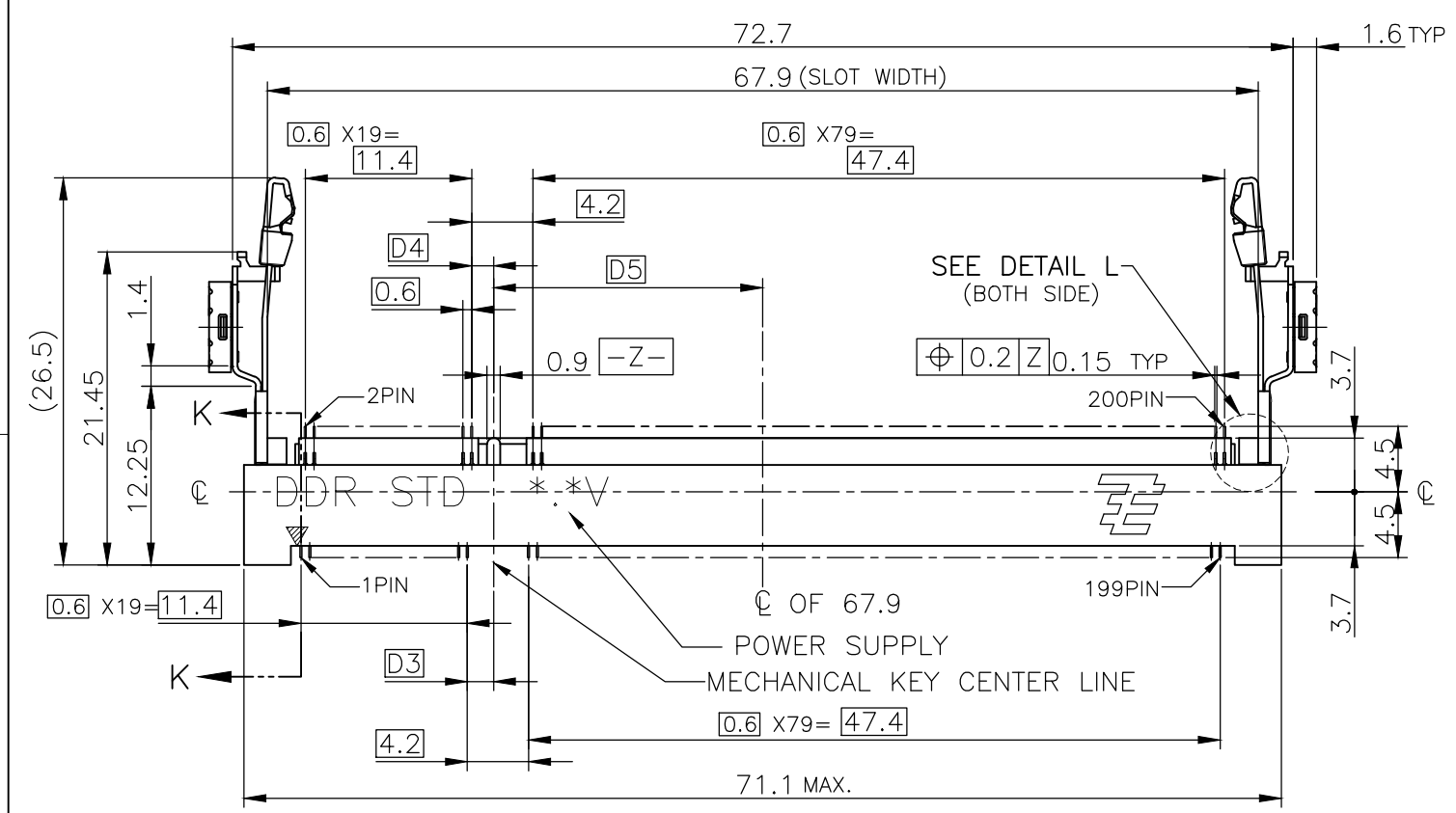
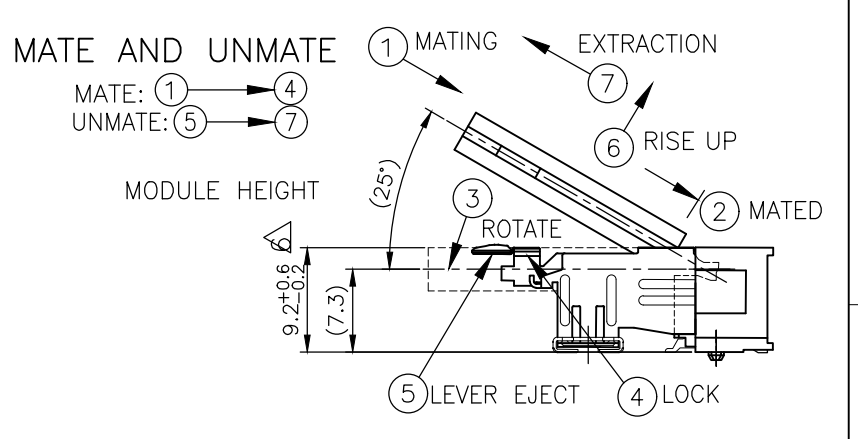
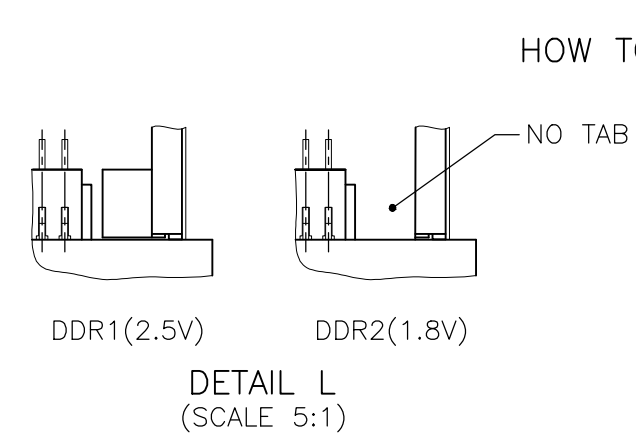
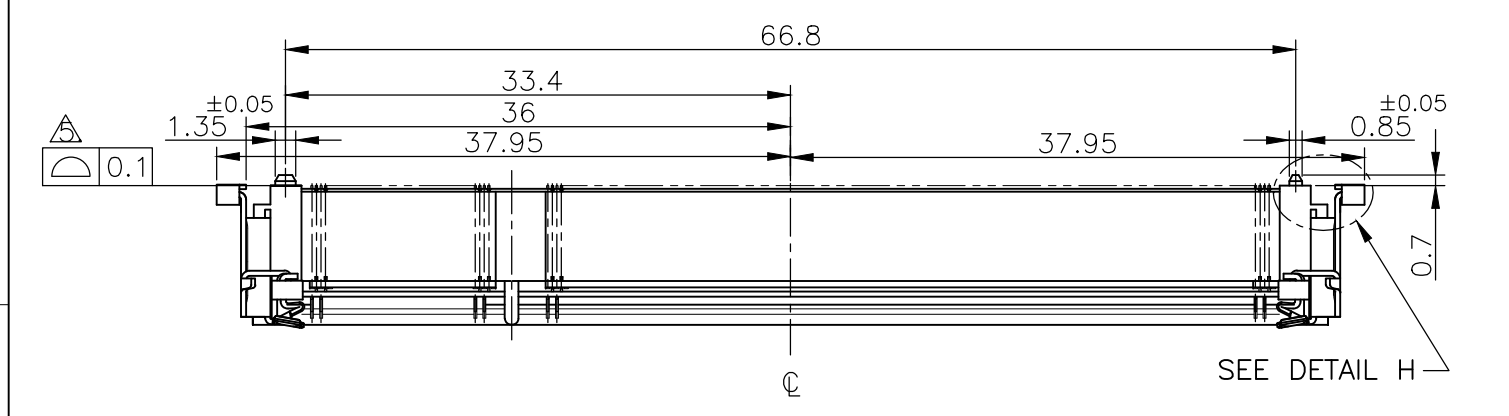
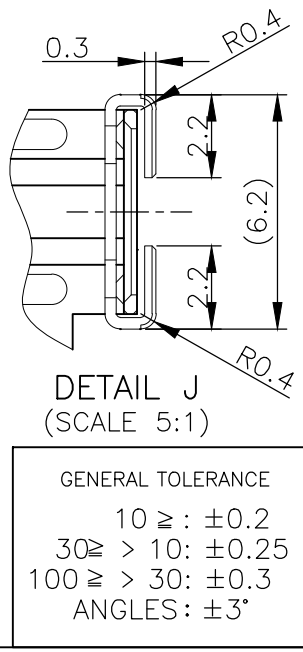
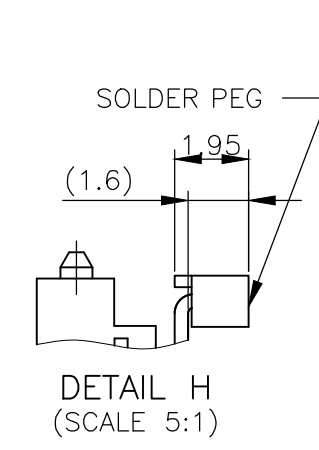
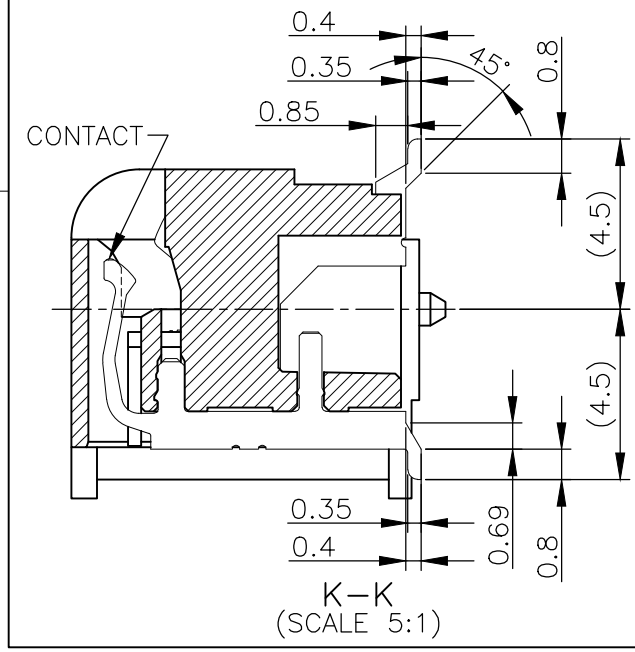


THIS DRAWING IS UNPUBLISHED. RELEASED FOR PUBLICATION
 © COPYRIGHT - By - ALL RIGHTS RESERVED.

REVISIONS					
P	LTR	DESCRIPTION	DATE	DWN	APVD
	E4	REVISED	18SEP17	DZ	SL



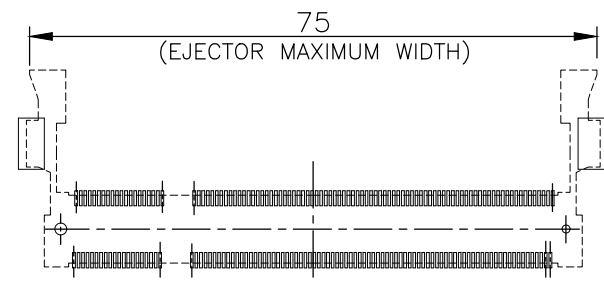
- (APPLIED TO SHEET 1-2)
- MATERIAL ; HOUSING: HIGH TEMPERATURE THERMO PLASTIC UL94V-0
 CONTACT: COPPER ARROY
 LOCK LEVER: STAINLESS STEEL
 SOLDER PEG: COPPER ARROY
 - FINISH ; CONTACT AREA: GOLD FLASH
 ON 0.0013MIN ALL OVER NICKEL.
 SOLDERING AREA: GOLD FLASH PLT.
 SOLDER PEG: TIN PLATING.
- △ MECHANICAL KEY POSITION OF CONNECTOR SEE TABLE.
 △ TOLERANCES NON-CUMULATIVE.
 △ COPLANARITY : 0.1 MAX.
 △ THE FLOATING VALUE BY SOLDERING IS NOT INCLUDED.
 △ NOT MATING CONDITION.
- IF THE MODULE DOESN'T INSERT AND LOCK IN THE LATCH SMOOTHLY, OPEN WIDE BOTH LATCHES BY MANUAL. AND THE MODULE MUST BE INSERTED AND LOCKED IN THE LATCH.
 - THE SHAPE OF HOUSING AT KEY AREA IS FREE BASICALLY TO IMPROVE HOUSING WARPAGE



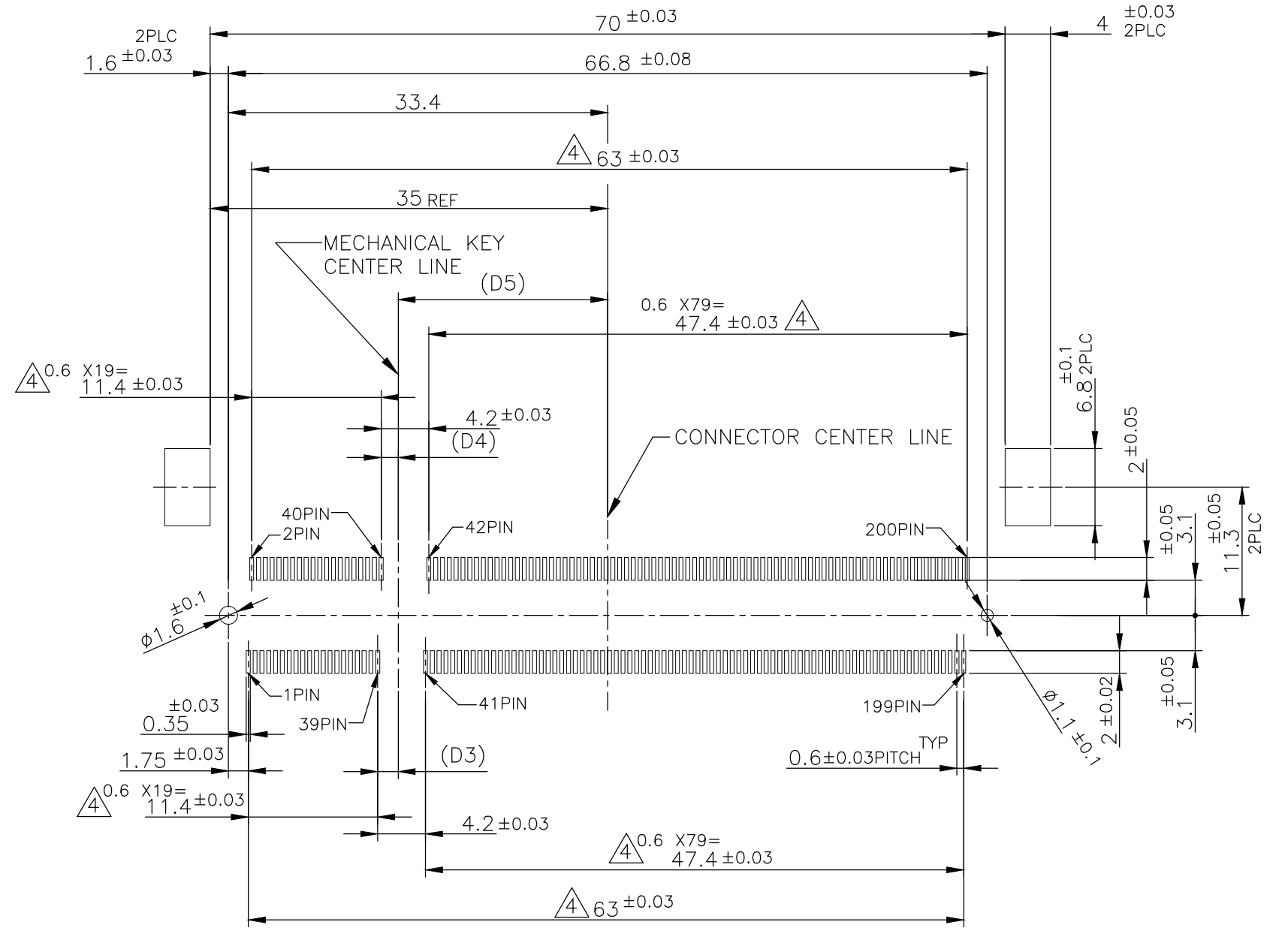
TAPE&REEL	AVAILABLE	2.5V (DDR1)	18.45	1.5	1.8	200	2-1612618-1
TRAY	AVAILABLE	1.8V (DDR2)	17.55	2.4	2.7	200	1612618-4
TRAY	AVAILABLE	2.5V (DDR1)	18.45	1.5	1.8	200	1612618-1
PACKING TYPE	TOOLING STATUS	POWER SUPPLY (TYPE)	D5	D4	D3	POS	PART NO.
THIS DRAWING IS A CONTROLLED DOCUMENT.			DWN J.TANIGAWA 210CT02		TE Connectivity DDR1 & DDR2 SODIMM SOCKET 0.6mm PITCH 200POS		
DIMENSIONS: MM			CHK H.KODAMA 210CT02				
TOLERANCES UNLESS OTHERWISE SPECIFIED.			APVD I.ENOMOTO 210CT02				
0 PLC ± - 1 PLC ± - 2 PLC ± - 3 PLC ± - 4 PLC ± - ANGLES ± FINISH ±			PRODUCT SPEC				
MATERIAL			APPLICATION SPEC		NAME		
WEIGHT			-		SIZE		
CUSTOMER DRAWING			A300779		DRAWING NO		RESTRICTED TO
SCALE			2:1		SHEET		REV
			1 OF 5				E4

THIS DRAWING IS UNPUBLISHED. RELEASED FOR PUBLICATION
 © COPYRIGHT - By - ALL RIGHTS RESERVED.

REVISIONS					
P	LTR	DESCRIPTION	DATE	DWN	APVD
-	-	SEE SHEET 1	-	-	-



REAL SIZE (SCALE 1:1)

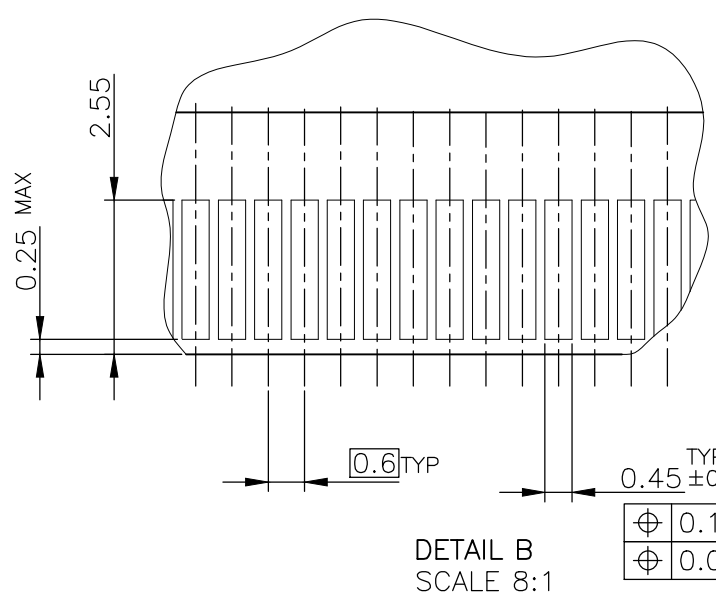
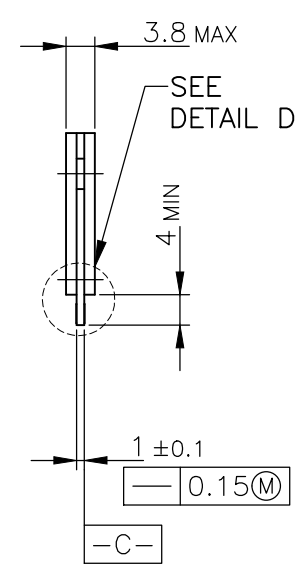
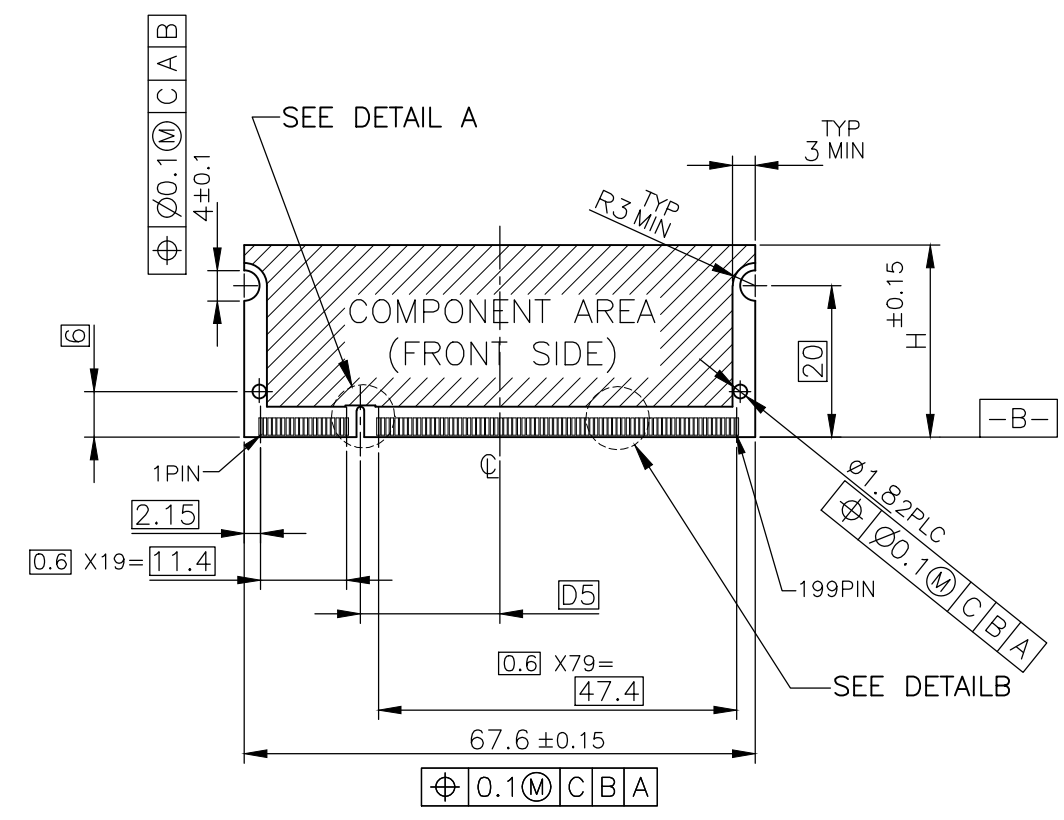


REFERENCE P.C. BOARD PATTERN LAYOUT FOR DUAL USE
(CONNECTOR MOUNTING SIDE)

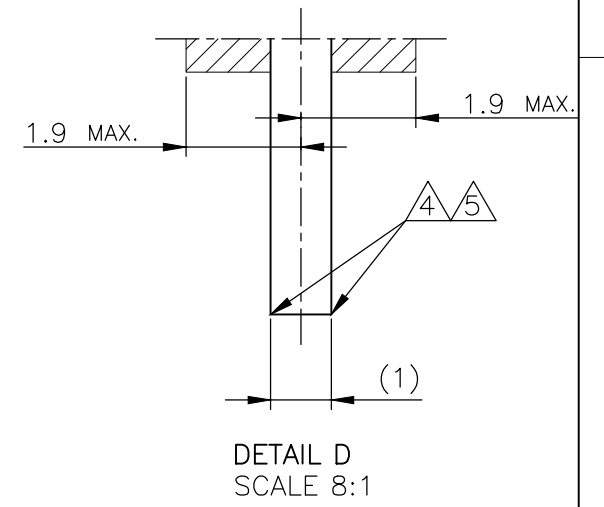
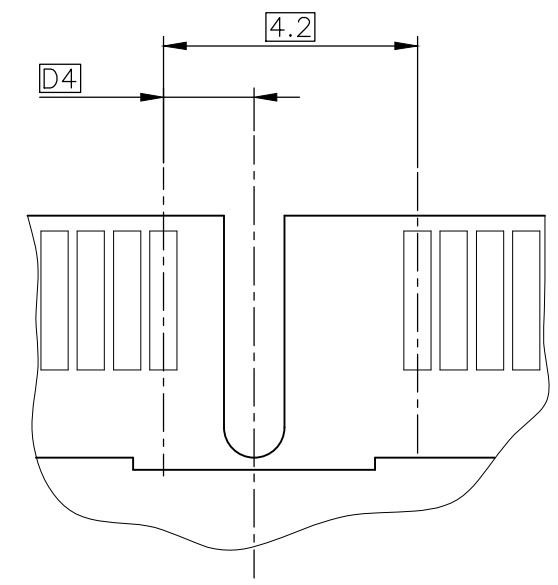
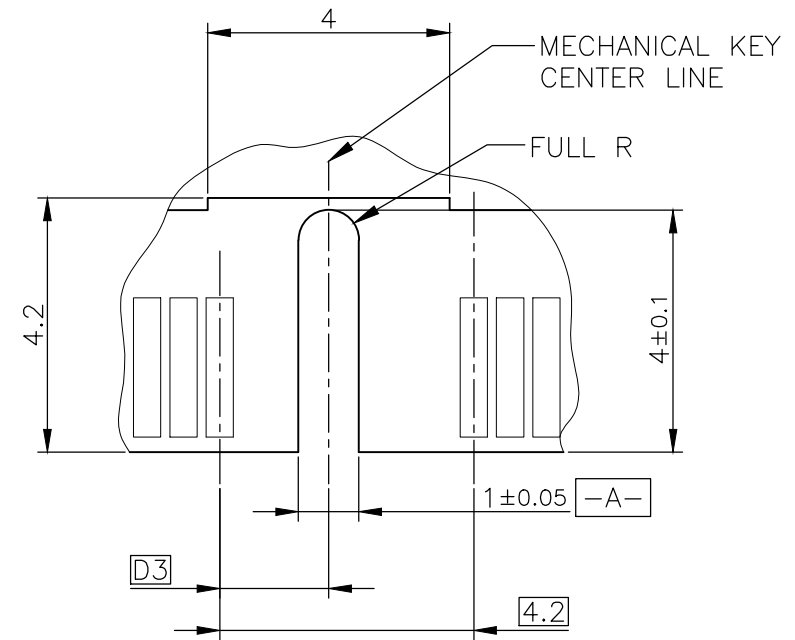
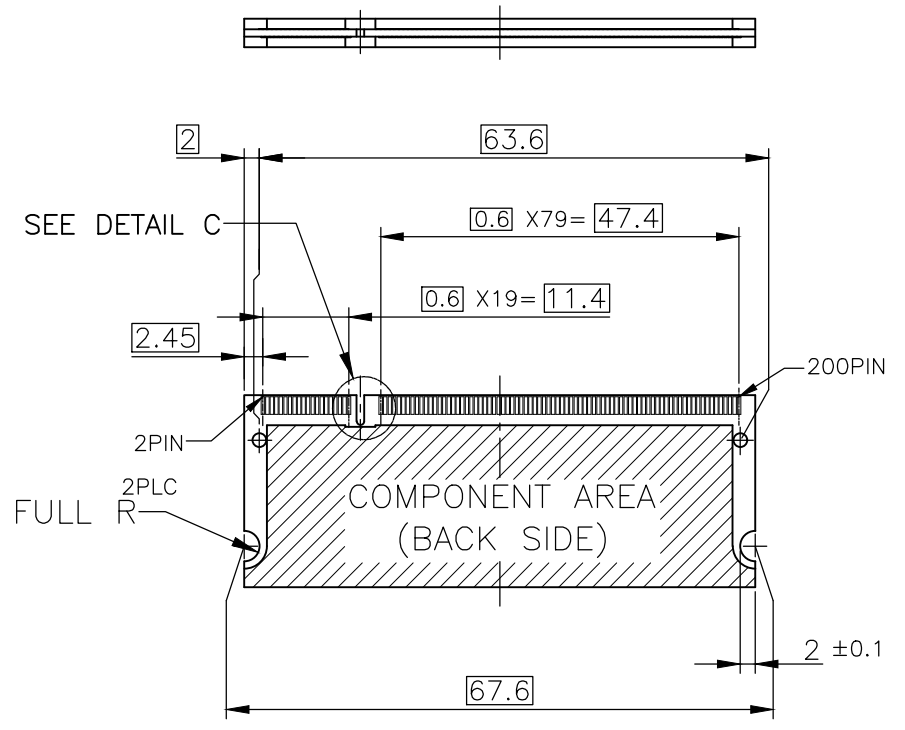
THIS DRAWING IS A CONTROLLED DOCUMENT.		DWN		TE Connectivity	
DIMENSIONS: MM		CHK			
TOLERANCES UNLESS OTHERWISE SPECIFIED:		APVD		NAME	
0 PLC ± - 1 PLC ± - 2 PLC ± 3 PLC ± 4 PLC ± - ANGLES ± FINISH -		PRODUCT SPEC		DDR1 & DDR2 SODIMM SOCKET 0.6mm PITCH 200POS	
MATERIAL		APPLICATION SPEC		RESTRICTED TO	
		WEIGHT		SIZE	CAGE CODE
		CUSTOMER DRAWING		A3	00779
				DRAWING NO	1612618
				SCALE	NTS
				SHEET	2 OF 5
				REV	E4

THIS DRAWING IS UNPUBLISHED. RELEASED FOR PUBLICATION
 © COPYRIGHT - By - ALL RIGHTS RESERVED.

REVISIONS				
P	LTR	DESCRIPTION	DATE	APVD
-	-	SEE SHEET 1	-	-



(APPLIED TO SHEET 3)
 1 TOLERANCES ON ALL DIMENSIONS ±0.15 UNLESS OTHERWISE SPECIFIED.
 2 P.C. BOARD THICKNESS APPLIES ACROSS TABS AND INCLUDES PLATING AND/OR METALIZATION.
 3 FINISH OF PAD : GOLD PLATING 0.00076 MIN. OVER Ni PLATING 0.002MIN.
 △ NO BURR.
 △ CHAMFER 0.25 MAX x 45° IF EXIST.



DETAIL A SCALE 8:1 (FRONT SIDE)

DETAIL C SCALE 8:1 (BACK SIDE)

31.75
25.4
H

1.8V	17.55	2.4	2.7
2.5V	18.45	1.5	1.8
POWER SUPPLY	D5	D4	D3

推奨基板仕様
 RECOMMENDED MATING P.C.B CONFIGURATION

THIS DRAWING IS A CONTROLLED DOCUMENT.		DWN
DIMENSIONS: MM		CHK
TOLERANCES UNLESS OTHERWISE SPECIFIED:		APVD
0 PLC	± -	PRODUCT SPEC
1 PLC	± -	APPLICATION SPEC
2 PLC	±	WEIGHT
3 PLC	±	
4 PLC	± -	
ANGLES	±	
FINISH		

NAME		D5	
PRODUCT SPEC		D4	
APPLICATION SPEC		D3	
WEIGHT		D3	
CUSTOMER DRAWING		D3	
SCALE NTS		D3	
SHEET 3 OF 5		D3	
REV E4		D3	



DDR1 & DDR2 SODIMM SOCKET
 0.6mm PITCH 200POS

SIZE	CAGE CODE	DRAWING NO	RESTRICTED TO
A3	00779	C-1612618	-

THIS DRAWING IS UNPUBLISHED.

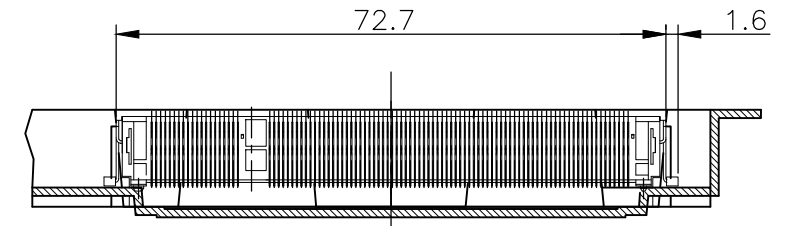
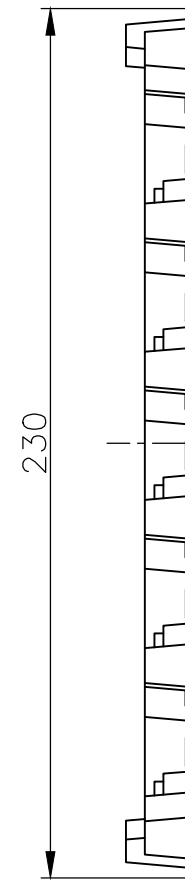
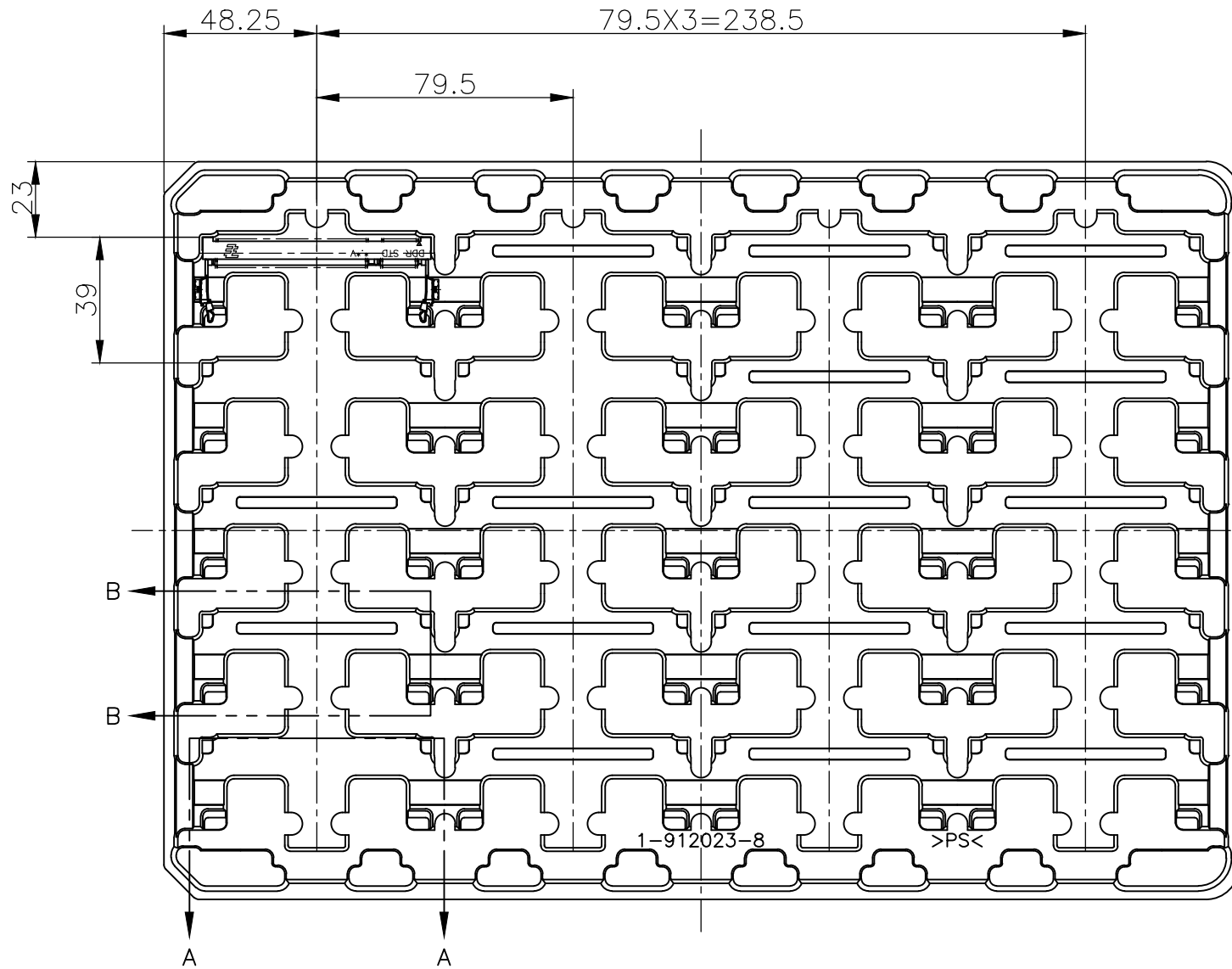
RELEASED FOR PUBLICATION

ALL RIGHTS RESERVED.

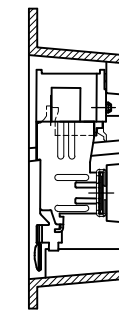
© COPYRIGHT - By -

REVISIONS

P	LTR	DESCRIPTION	DATE	DWN	APVD
-	-	SEE SHEET 1	-	-	-



A-A
SCALE 1:1
(180DEG. ROTATE)



B-B
SCALE 1:1

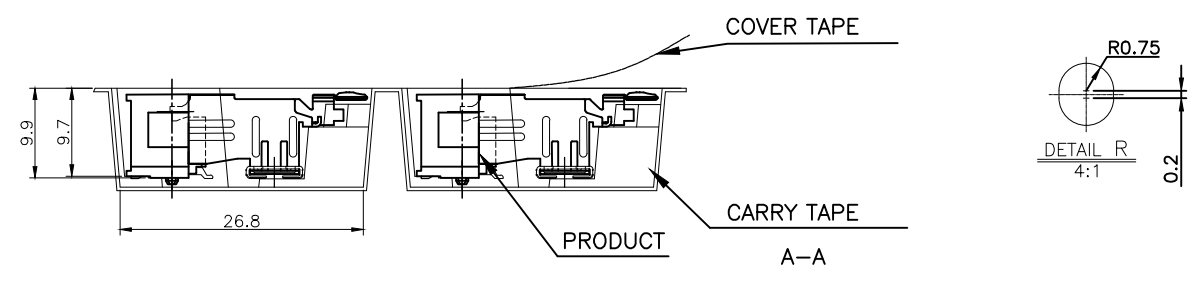
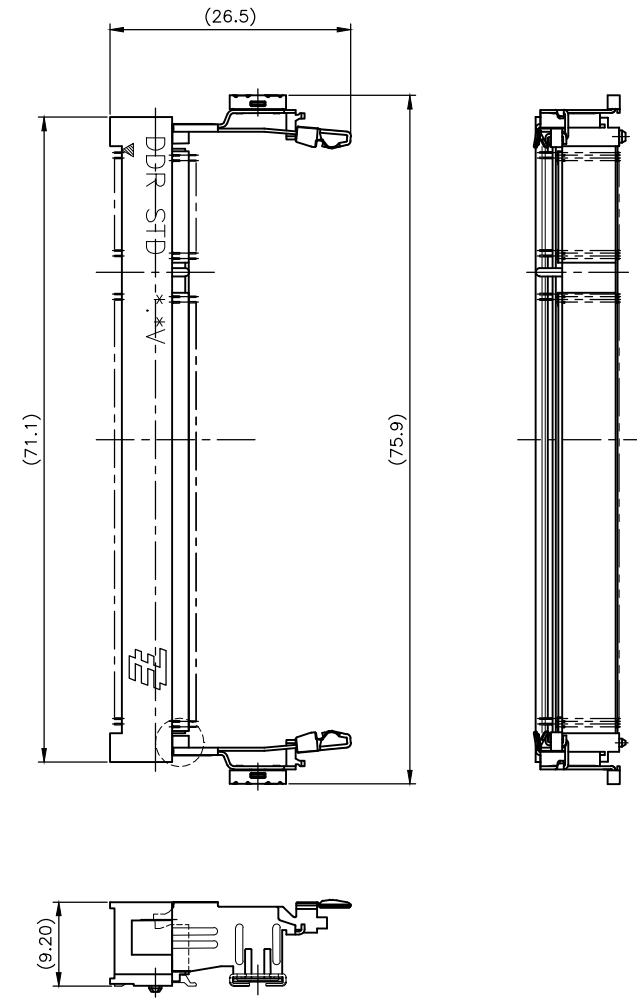
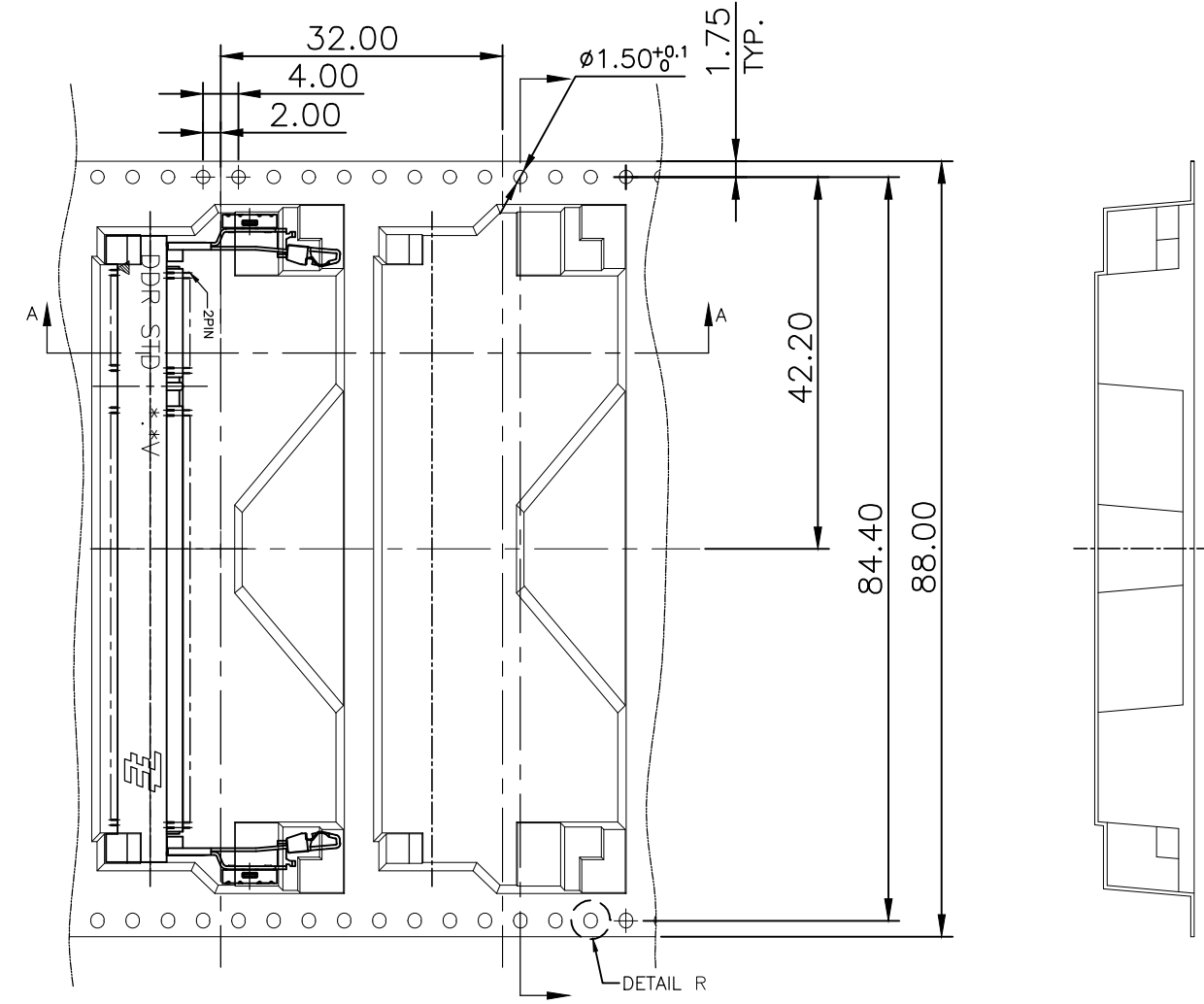
1. THE DIRECTION OF EACH CONNECTOR ON A TRAY IS REFERRED TO THIS DRAWING.
2. GENERAL TOLERANCE: ±0.5

20EA/TRAY	1612618-4
20EA/TRAY	1612618-1
QTY	P/N

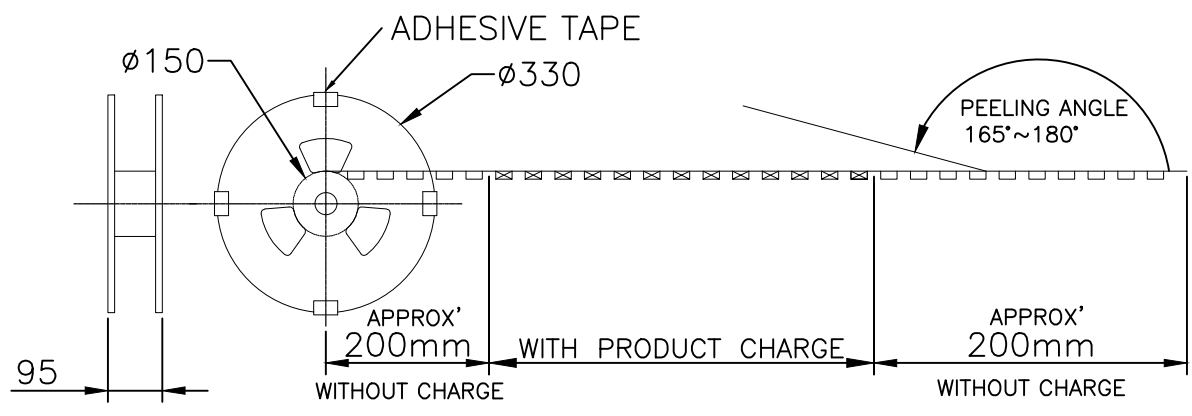
THIS DRAWING IS A CONTROLLED DOCUMENT.		DWN		STE TE Connectivity	
DIMENSIONS: MM		CHK			
TOLERANCES UNLESS OTHERWISE SPECIFIED:		APVD		NAME	
0 PLC ± -		PRODUCT SPEC		DDR1 & DDR2 SODIMM SOCKET	
1 PLC ± -		APPLICATION SPEC		0.6mm PITCH 200POS	
2 PLC ± 0.5		WEIGHT		SIZE	CAGE CODE
3 PLC ± 0.5		CUSTOMER DRAWING		A3	00779
4 PLC ± -		SCALE		DRAWING NO	
ANGLES ± 3°		1:2		C-1612618	
FINISH		SHEET		RESTRICTED TO	
		4 OF 5			
		REV		E4	

THIS DRAWING IS UNPUBLISHED. RELEASED FOR PUBLICATION
 © COPYRIGHT - By - ALL RIGHTS RESERVED.

REVISIONS				
P	LTR	DESCRIPTION	DATE	APVD
-	-	SEE SHEET 1	-	-



PULL OUT DIRECTION



1. THE DIRECTION OF EACH CONNECTOR ON THE EMBOSS IS REFERENCED TO THIS DRAWING.
2. GENERAL TOLERANCE: ± 0.5 , $\pm 3^\circ$.

120	2	240	2-1612618-1
PCS/REEL	REEL/CARTON	PCS/CARTON	PART NUMBER

THIS DRAWING IS A CONTROLLED DOCUMENT.		DWN	TE Connectivity	
DIMENSIONS: MM		CHK		
TOLERANCES UNLESS OTHERWISE SPECIFIED:		APVD	NAME	
0 PLC $\pm -$		PRODUCT SPEC	DDR1 & DDR2 SODIMM SOCKET	
1 PLC $\pm -$		APPLICATION SPEC	0.6mm PITCH 200POS	
2 PLC ± 0.5		WEIGHT	SIZE	CAGE CODE
3 PLC ± 0.5		CUSTOMER DRAWING	A3	00779
4 PLC ANGLES $\pm 3^\circ$			DRAWING NO	C-1612618
FINISH		RESTRICTED TO	-	
MATERIAL		SCALE	1:2	SHEET
		5 OF 5		REV
				E4

X-ON Electronics

Largest Supplier of Electrical and Electronic Components

Click to view similar products for [DIMM Connectors](#) category:

Click to view products by [TE Connectivity](#) manufacturer:

Other Similar products are found below :

[1-1932649-2](#) [1-1761024-0](#) [2309411-5](#) [10116658-252ASLF](#) [5390471-1](#) [2309413-3](#) [78507-0061](#) [KIT-SODIMM-1X16GB/01](#) [10129206-0010013LF](#) [10086891-052TSLF](#) [10079192-11102LF](#) [10116658-152FSLF](#) [10129206-0011113LF](#) [1-2308107-0](#) [2013310-1](#) [2013289-1](#) [390111-1](#) [390112-1](#) [2309413-1](#) [2309407-1](#) [2309414-1](#) [10081530-12208LF](#) [151080-0001](#) [78726-1004](#) [10005639-11107LF](#) [10005639-11109LF](#) [10005639-12207LF](#) [10023061-10207LF](#) [10033853-252FSLF](#) [10033853-052ASLF](#) [10033853-052FSLF](#) [10033853-152FSLF](#) [10033854-052FSLF](#) [10034542-10002LF](#) [10037402-12207LF](#) [10081530-11107LF](#) [10081530-12207LF](#) [10081530-12218LF](#) [10081530-12228LF](#) [10124632-0030001LF](#) [10124806-01006LF](#) [10145226-0241N13LF](#) [59354-052FSLF](#) [59355-052FSLF](#) [DDR4288S0211TF](#) [DDR4288S0511H](#) [DDR4288S0511TF](#) [DDR4288V0123TF](#) [DDR4288V0213TF](#) [DDR502112001K](#)