

THIS DRAWING IS UNPUBLISHED. RELEASED FOR PUBLICATION
 © COPYRIGHT 2002 BY TYCO ELECTRONICS CORPORATION. ALL RIGHTS RESERVED.

LOC	DIST	REVISIONS						
		P	LTR	DESCRIPTION	ECN	DATE	DWN	APVD
J			0	RELEASED	FJ00-1549-02	30JUL2002	T.Y	N.S
			A	REVISED	FJ00-1725-02	7OCT2002	T.Y	N.S

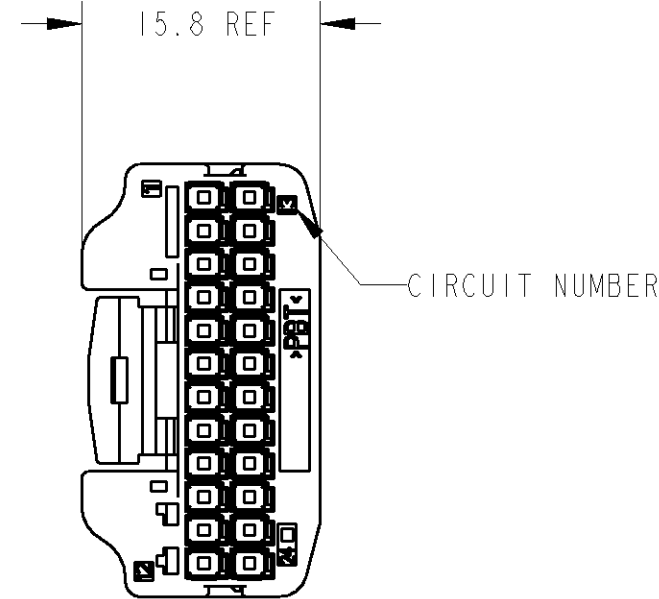
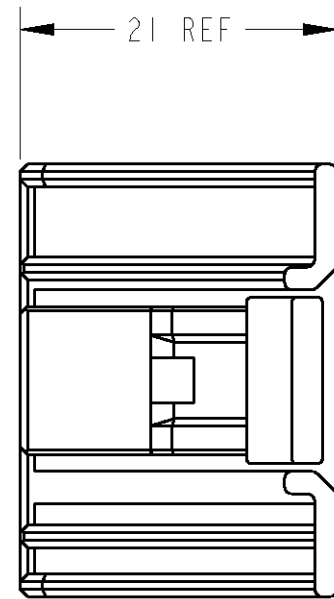
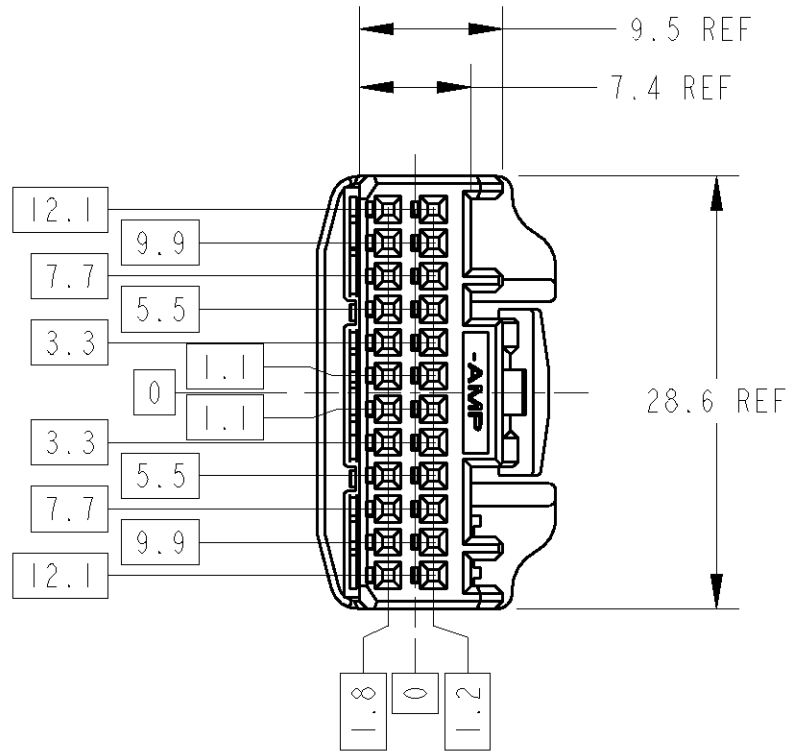


TABLE - 1

POS 極数	CAP ASSEMBLY PART NO キャップ 型番
24	1612904-X

TABLE - 2

		TERMINAL NO 端子型番	APPLICABLE WIRE RANGE 適用電線
SIGNAL 025	TIN	1123343-1	AVSS/CAVUS 0.3~0.5mm ² AVSSH-f 0.3~0.5mm ² CAVS 0.22~0.5mm ²

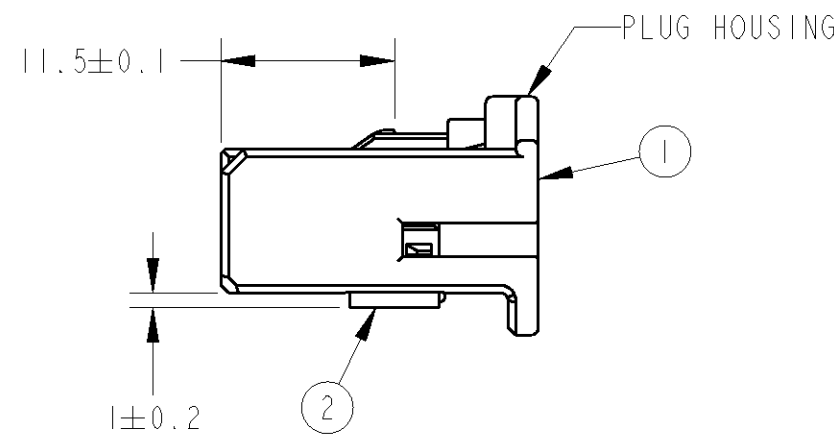


TABLE - 3

PLASTIC BAG ビニール袋	INNER 内装	PACKING STYLE 梱包形態		
		PAPER BOX ダンボール箱	OUTER 外表	
I	GRAY	24P RETAINER	1318919-2	2
I	GRAY	24P PLUG HOUSING	1612907-1	1
1612906-1	FINISH/COLOR	NAME	PART NO.	NO.

1. RETAINER SHOULD BE SET TO THE PRE- ASSEMBLY POSITION WITHIN THE PLUG HOUSING WHEN SHIPPED TO THE CUSTOMER
2. THE RETENTION LATCH OF THE RETAINER MUST BE OUT SIDE OF PLUG HOUSING WHEN PRE-ASSEMBLY
3. RETAINER RETENTION FORCE FROM HOUSING : 20N MIN
4. INSTRUCTION SHEET NO : 411-5928
5. PART NUMBER OF CAP HOUSING TO BE MATED : SEE TABLE -1
6. APPLIED TERMINAL : SEE TABLE -2
7. THIS PRODUCT DIFFERS IN KEYING(RIB) POSITION FROM P/N:1318917-X.

1. プラグハウジングにリテーナーを仮止して出荷する
2. 仮止時リテーナー突起がハウジングの外側に出ていること
3. リテーナーの仮止保持力は 20N 以上
4. 取扱説明書 NO : 411-5928
5. 嵌合相手型番は TABLE -1参照
6. 適用端子は TABLE -2参照
7. 本製品は型番 : 1318917-Xのキーイング(リブ位置)違いである。

THIS DRAWING IS A CONTROLLED DOCUMENT FOR TYCO ELECTRONICS CORPORATION IT IS SUBJECT TO CHANGE AND THE CONTROLLING ENGINEERING ORGANIZATION SHOULD BE CONTACTED FOR THE LATEST REVISION.

DIMENSIONS: 単位: 概 mm	TOLERANCES UNLESS OTHERWISE SPECIFIED: 一般公差±0.3	DWN 30JUL2002 T.YAMAMOTO	Tyco Electronics AMP K.K. Kawasaki, Japan
	0-PLC ±	CHK 30JUL2002 T.KOHNO	
	MATERIAL 材料 PBT	FINISH 仕上 SEE TABLE-3	APVD 30JUL2002 N.SAI
		PRODUCT SPEC 製品規格 108-5668	NAME 名称 025 SERIES 24POSITION PLUG HOUSING ASSEMBLY
		APPLICATION SPEC 取付適用規格 114-5250	SIZE A3
		WEIGHT 3.68 g	CAGE CODE 00779
		CUSTOMER DRAWING	DRAWING NO C=1612906
		SCALE 尺度 2:1	RESTRICTED TO
		SHEET 1 OF 1	REV A

X-ON Electronics

Largest Supplier of Electrical and Electronic Components

Click to view similar products for [Automotive Connectors](#) category:

Click to view products by [TE Connectivity](#) manufacturer:

Other Similar products are found below :

[003-018-000](#) [60993906-B](#) [72.330.1035.1](#) [F358300-B](#) [F407400](#) [776880-1](#) [827153-1](#) [8N1515-32-24P](#) [9-1326729-8](#) [925474-1](#) [928905-1](#)
[964562-4](#) [968782-1](#) [98891-1012](#) [12004475-L](#) [12041318-B](#) [12052466](#) [12015909](#) [1-21030-1](#) [12041318](#) [12047957](#) [12185550](#) [12336-12](#)
[12147304](#) [1-326211-1](#) [13681974](#) [13783086](#) [13832576](#) [13542772](#) [13675513](#) [1428188-1](#) [1437287-3](#) [1428188-2](#) [DS07-19S-5020](#) [1456983-5](#)
[1456987-7](#) [APD-7CP-H](#) [APK-SB25A10L](#) [1452931-2](#) [15336198](#) [15491972](#) [15305306](#) [15396680](#) [15425613](#) [15518544](#) [15522351](#) [1719636-1](#)
[172190-2](#) [172190-5](#) [192900-0402](#)