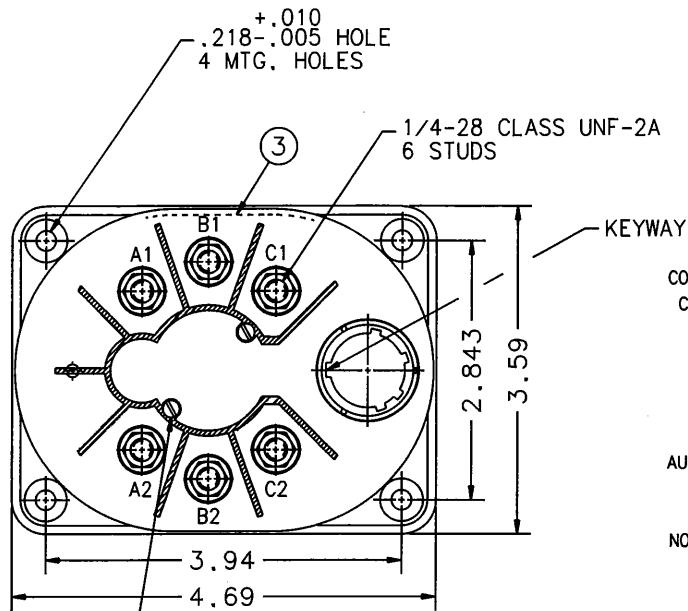


| REV. | | DESCRIPTION | DATE | APPROVED |
|------|-------|---|----------|----------|
| M | 26128 | REDRAWN ON CAED'S. ITEM 8 WAS FISHPAPER | 94/06/06 | R.S. |
| N | 26208 | A2,B2,C2 WAS A3,B3,C3 | 94/07/08 | R.S. |
| P | 34653 | (REF) ADDED TO CONNECTOR | 98/01/06 | RS |



CONSTRUCTION CONTACTS HERMETICALLY SEALED

NOMINAL CONTACT VOLTAGE 115/200 VAC, 400 HZ

MAIN CONTACT CONFIGURATION 3PST NO

RATING: RESISTIVE 120 AMP, 400 HZ

INDUCTIVE 120 AMP, 400 HZ

AUXILIARY CONTACT CONFIGURATION 7PST, 3 N.O. - 4 N.C.

RATING 7.5 AMP, 400 HZ

NOMINAL COIL VOLTAGE 28 VDC

PICKUP VOLTAGE 21 VDC MAX. AT 120°C

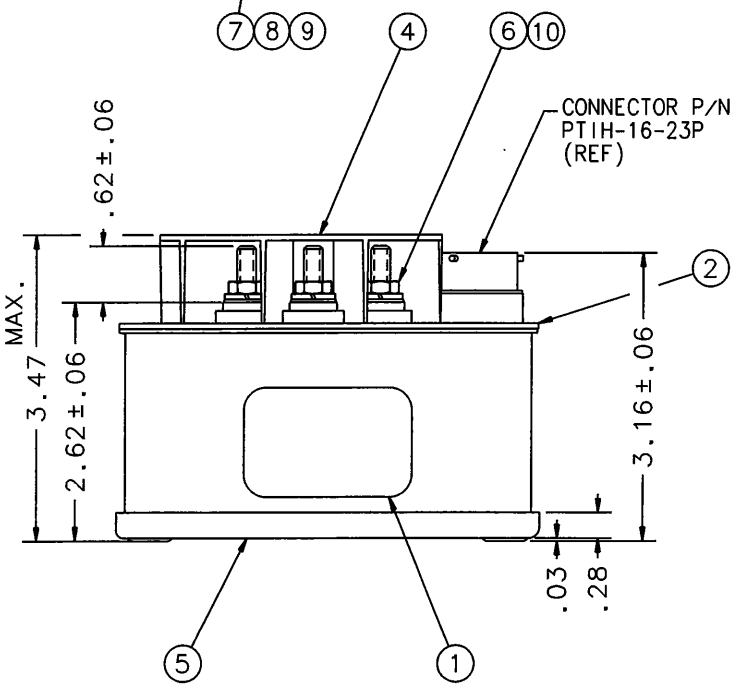
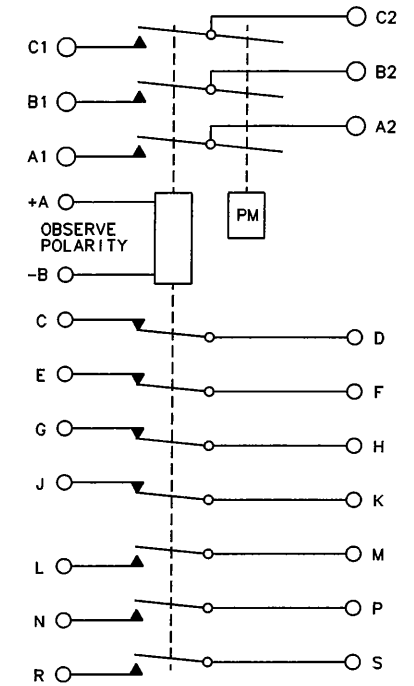
18 VDC MAX. AT 71°C

DROPOUT VOLTAGE 7 +0, -5.5 VDC

TEMPERATURE RANGE -55°C TO +120°C

MIN. OPERATING CYCLES 50,000

MAX. WEIGHT 2 LBS. 6 OZ.



| 10 | 6 | 51807-034 | WASHER - 1/4 SPLIT LOCK | MS35338-101 | BRONZE | |
|---------|----------|------------------------|------------------------------|-------------|--------------------------|------------------|
| 9 | 2 | 51805-011 | WASHER - NO. 5 SPLIT LOCK | AN935B5L | BRONZE | |
| 8 | 2 | 51701-180 | WASHER .015 X .103 X 3/16 | | MYLAR | |
| 7 | 2 | 51205-291 | SCREW 5-40 X 5/8 RD. HD. | | BRASS | |
| 6 | 6 | 50407-074 | NUT 1/4-28 X 3/8 X 3/16 HEX. | | BRASS | |
| 5 | 1 | 19951-030 | CONTACTOR ASSEMBLY - PRIMARY | | | |
| 4 | 1 | 18806-001 | SHIELD - TERMINAL | | | |
| 3 | 1 | 20076-001 | PLATE - WIRING DIAGRAM | | | |
| 2 | 1 | 18345-002 | PLATE - BASE COVER | | | |
| 1 | 1 | 16043-001 | PLATE - NAME | | | |
| FIND NO | QTY REQD | PART OR IDENTIFYING NO | NOMENCLATURE OR DESCRIPTION | FSCM NO | DRAWING OR SPECIFICATION | MATERIAL OR NOTE |

UNLESS OTHERWISE SPECIFIED DIMENSIONS ARE IN INCHES TOLERANCES ON

2 PL DEC. 3 PL DEC. ANGLES ± .03 ± .010 ± 1°

HARTMAN ELECTRICAL MANUFACTURING MANSFIELD, OHIO

CONTACTOR - 3 PST NO
120 AMP., 400 HZ, 28 VDC COIL

093

| | | |
|------------|-----|----------|
| DR BY | RLS | 98/02/24 |
| CHK BY | RS | 98/02/24 |
| ENGR | FW | 98/03/24 |
| MFG | FA | 98/03/03 |
| RELEASE | ✓ | |
| CONTR NO. | | |
| GOVT APPVL | | |

| | | |
|-------|------------|---------|
| SIZE | CODE IDENT | DWG NO. |
| C | 74063 | DH-25CM |
| SCALE | NONE | SHEET |

X-ON Electronics

Largest Supplier of Electrical and Electronic Components

Click to view similar products for [TE Connectivity](#) manufacturer:

Other Similar products are found below :

[D38999/24FJ4AN](#) [570416-000](#) [CLTEQ-M81CE-SSRELAY-4-20V](#) [4-1195131-0](#) [650069-000](#) [SMD100-2](#) [358838-000](#) [CB-1022B-78](#)
[RM707012](#) [RP410012](#) [MMS42](#) [1-640426-8](#) [2EDL4CM](#) [DTS20W19-11PD-3028-LC](#) [RM202615](#) [NC6-P104-06](#) [MSPS103B](#) [DTS26F21-](#)
[41HE-LC](#) [DTS26F21-41AE](#) [DTS26F21-41PE-LC](#) [DTS26F21-11SE-3028-LC](#) [30DCB6](#) [1932144-1](#) [293545-4](#) [LVR125S](#) [MS27466T25F4PB](#)
[CKB-38-78010](#) [TR04AI-TINELLOCKRING](#) [1206SFF150F/63-2](#) [D38999/20JB35HA](#) [TE1500A2R2J](#) [D38999/20WC8BB](#) [DTS24F19-11SC-](#)
[3028-LC](#) [D38999/24WG11HA](#) [D38999/24WG11HN](#) [MS27467T21F11H](#) [DJT16E21-11HA](#) [MS27467T21F35J](#) [MS27467T21F11J](#)
[MS27467T21F16H-LC](#) [MS27467T21F35H](#) [MS27467T21F41H-LC](#) [1206SFH150F/24-2](#) [RP330024](#) [DJT16E21-11PA-LC](#) [DJT16E21-11HA-](#)
[LC](#) [DJT16E21-11AA](#) [MS27467T21B11JA](#) [DJT16E21-11JA](#) [MS27467T21B11JA-LC](#)