

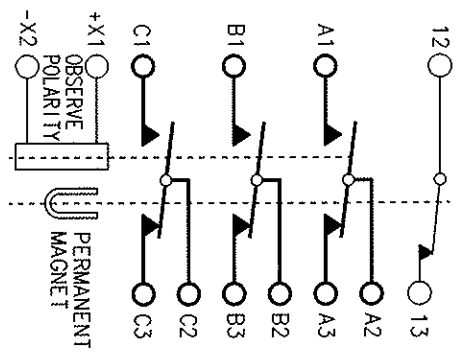
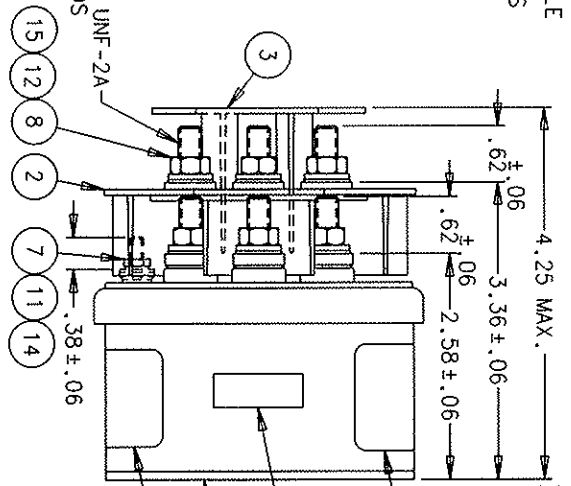
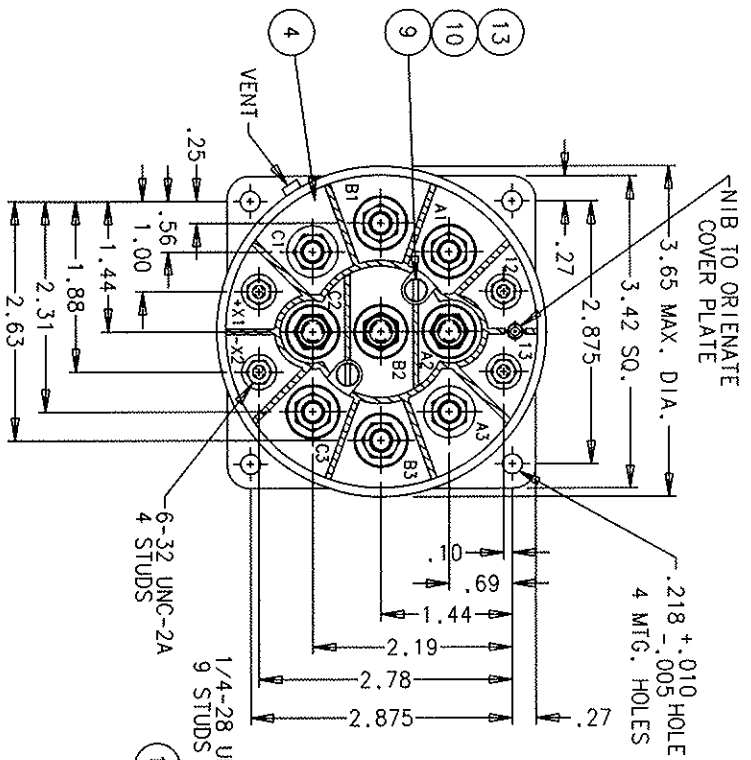
REV.	DATE	APPROVED
1	93/02/16	WS
2	93/06/28	WS
3	98/05/04	RS

RELEASED

REVISIONS

SN	DESCRIPTION
22671	MOVED FAA-PMA FROM MARGIN
24147	FIND 1 P/N WAS 001 ADD FIND 17-19
35444	NOTE 2 ADDED

FAA-PMA



- NOTES:
1. MOUNTING SURFACE SHALL PROVIDE ELECTRICAL GROUND.
  2. FAA/PMA PLATE (AND OVERLAY) NOT REQUIRED ON UNITS SUPPLIED TO ORIGINAL EQUIPMENT MANUFACTURERS.

GASKET SEALED

3PDT  
115/200 VAC, 400 HZ.  
100 AMP  
100 AMP  
SPST NC 5 AMP RES. 28 VDC

CONSTRUCTION  
MAIN CONTACTS  
CONFIGURATION  
VOLTAGE (NOMINAL)  
CURRENT  
IND.  
AUXILIARY CONTACTS  
COIL DATA  
DUTY CYCLE  
OPERATING VOLTAGE  
PICKUP

RESISTANCE  
ENVIRONMENTAL DATA  
OPERATING TEMP.  
VIBRATION  
ALTITUDE  
LIFE ELECTRICAL  
WEIGHT MAX.  
MAX. INTER.

CONTINUOUS  
28 VDC  
18 VDC MAX AT 71°C

7 +0  
-5.5 VDC

175 OHMS ±20% AT 25°C

~55°C TO +71°C

AR  
50,000 FT. MAX.  
50,000 CYCLES MIN.  
2 LBS. 5 1/2 OZ.  
600 AMPS

QTY	PART OR IDENTIFYING NO	NOMENCLATURE OR DESCRIPTION	FSQA NO	DRAWING OR SPECIFICATION	MATERIAL OR NOTE
19	1	OVERLAY			
18	1	OVERLAY			
17	1	OVERLAY			
16	1	OVERLAY			
15	9	58400-036		AN935B416	BRONZE
14	4	51807-034		AN935B6	BRONZE
13	2	51806-011		AN935B51	BRONZE
12	9	51703-064		AN960B416	BASS
11	4	51702-204		AN906B-6	BASS
10	2	51701-180			MYLAR
9	2	51205-411			STEEL
8	9	50407-074			BASS
7	4	50406-034			BASS
6	1	26011-001			
5	1	20074-070			
4	1	17542-018			
3	1	17540-001			ZYTEL
2	1	17539-001			ZYTEL
1	1	16043-050			

UNLESS OTHERWISE SPECIFIED DIMENSIONS ARE IN INCHES

2 PL. DEC. 3 PL. DEC. ANGLES ±.03 ±.010 ±.1°

DR BY	RS	198/05/28
CHK BY	RS	198/05/28
ENGR		198/05/28
MFG		198/05/28

REF. BOEING

HARTMAN ELECTRICAL MANUFACTURING  
MANSFIELD, OHIO

CONTACTOR - 3PDT SIDESTABLE-SINGLE BREAK-100A., 400 HZ., 28 VDC COIL

SIZE CODE IDENT DWG NO. D-25BD

SCALE 1:2 SHEET

## X-ON Electronics

Largest Supplier of Electrical and Electronic Components

*Click to view similar products for [Industrial Relays](#) category:*

*Click to view products by [TE Connectivity](#) manufacturer:*

Other Similar products are found below :

[6-1617801-8](#) [6-1618107-9](#) [7-1618273-3](#) [EV250-4A-02](#) [EV250-6A-01](#) [FCA-125-CX8](#) [FCA-325-159](#) [FCA-410-138](#) [8000-S3121](#) [8-1618273-6](#)  
[8-1618393-1](#) [GCA63A220VAC60HZ](#) [GCA63A277VAC60HZ](#) [GCA63A600VAC60HZ](#) [1-1672275-3](#) [1-1833005-4](#) [H-16/S1](#) [A711Z](#) [H-8C](#)  
[H-8/S11](#) [H-8/S68](#) [ACC530U20](#) [ACC730U30](#) [RF303ZM4-12](#) [DH18DA](#) [1423675-8](#) [AR4-15F13-C01](#) [AR7-41F11](#) [AVR907](#) [15732A200](#)  
[B07B032AC1-0329](#) [B329](#) [B490A](#) [1618279-1](#) [BHR124Y](#) [1810DDB-SX](#) [N417](#) [P30C42A12D1-120](#) [2-1617748-6](#) [2-1618375-1](#) [2-1618396-6](#)  
[2-1618398-1](#) [JMAPD-5XL](#) [JMGACD-5M](#) [JMGSC-5LW](#) [JMGSCD-5L](#) [PBO-18A1218](#) [PBO-40A3040](#) [K8DSPH1200480VAC](#) [KA-3C-12A](#)