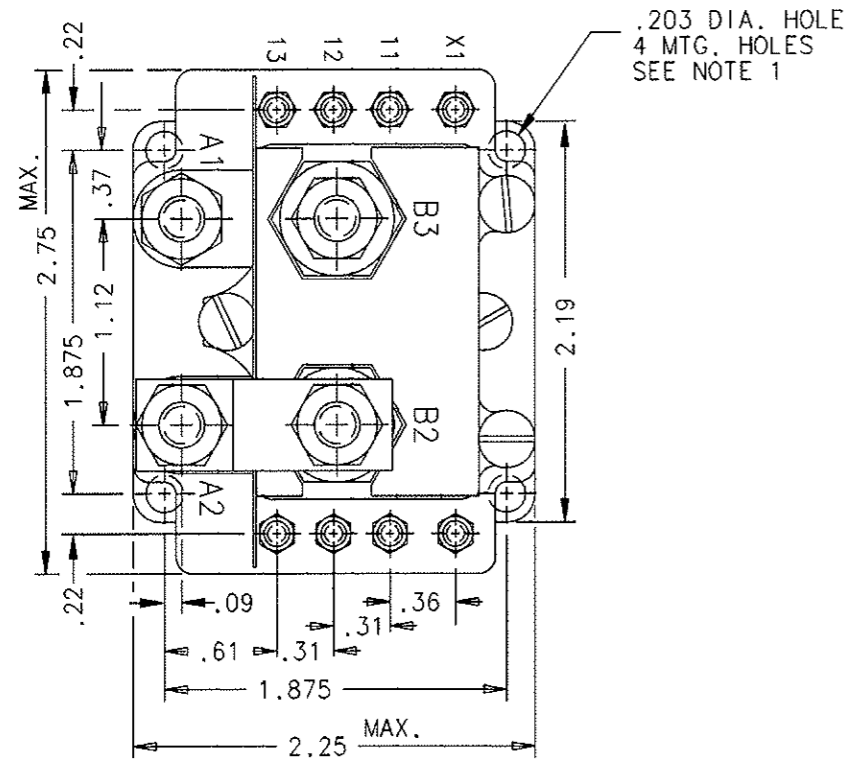


REVISIONS			RELEASED	
SYN	DESCRIPTION	DATE	APPROVED	
S	21709 REDRAWN, ADDED "SILASTIC SEALED" TO CONSTRUCTION	92/01/10	KM	
T	32527 FIND NOS 13 & 14 ADDED	97/03/31	RS	
U	34615 FIND NO 14 WAS 39529-014	97/12/18	RS	
V	40524 8 STUDS WAS 5 ON 6-32 UNC-2A	99/08/31	RS	
W	41679 VIEWS UPDATED TO SHOW LUG NUTS	00/02/07	RS	
Y	42113 NOTE 1 ADDED	00/03/31	RS	
AA	0471-04 REMOVED ITEM 13, ITEM 5 WAS 41695-001	04/06/01	CJ	



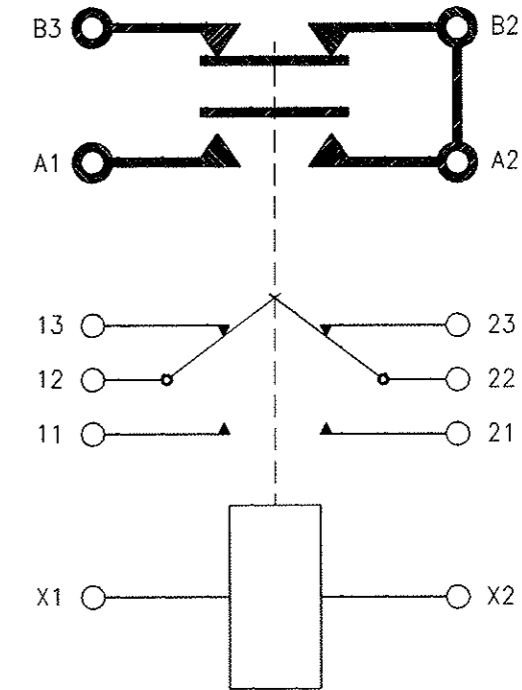
CONSTRUCTION GASKET SEALED, SILASTIC SEALED

MAIN CONTACTS
 CONFIGURATION SPDT
 VOLTAGE (NOM.) 28 VDC
 CURRENT RES. 230 AMP
 INRUSH 600 AMP CARRY ONLY

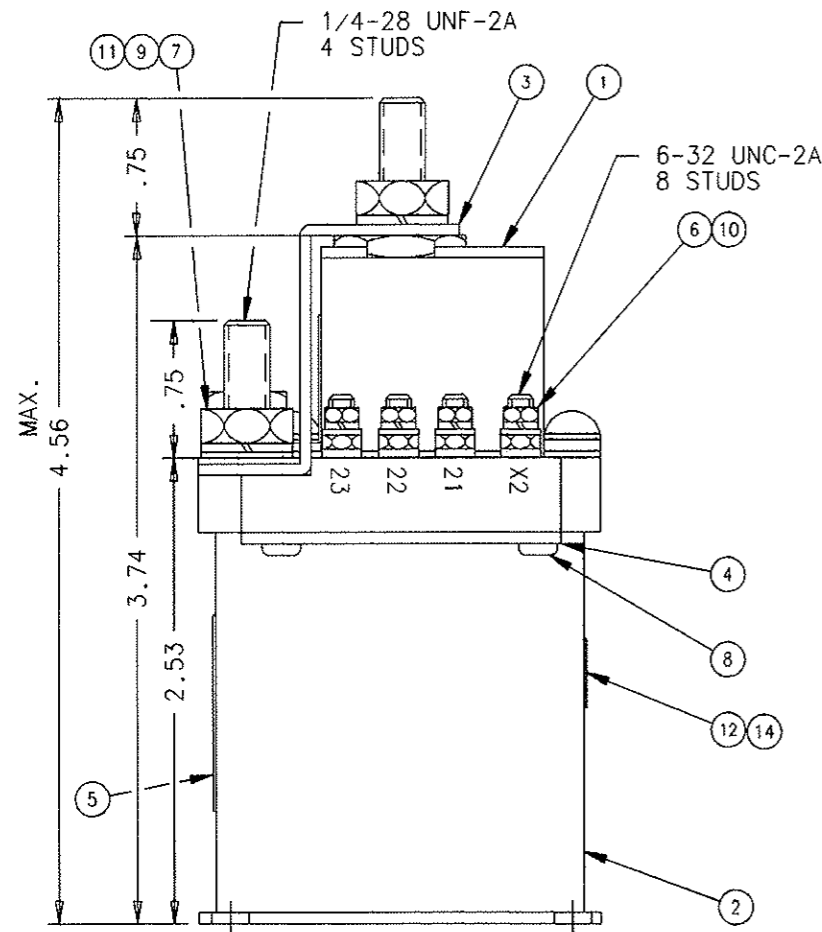
AUXILIARY CONTACTS
 CONFIGURATION D.P.D.T.
 VOLTAGE 28 VDC.
 CURRENT RES. 5 AMP
 IND. 3 AMP

COIL DATA
 MAX OPERATE 30 VDC
 MIN OPERATE 24 VDC
 PICKUP AT 25°C 16.5 V. MAX.
 DROPOUT 0.5 TO 7 V
 RES AT 25°C 50 OHM ±20%
 DUTY CYCLE CONTINUOUS

ENVIRONMENTAL DATA
 AMBIENT TEMP -55°C TO + 71°C
 LIFE ELECTRICAL 50,000 CYCLES MIN
 LIFE MECHANICAL 100,000 CYCLES MIN
 WEIGHT MAX 1 LB 15 OZ.



NOTE:
 1. PAINT REMOVED FROM 2 OPPOSITE MTG HOLES, TOP & BOTTOM, FOR GROUNDING PURPOSES.



FIND NO	QTY REQD	PART OR IDENTIFYING NO	NOMENCLATURE OR DESCRIPTION	FSCM NO	DRAWING OR SPECIFICATION	MATERIAL OR NOTE
14	1	39529-024	OVERLAY - FAA/PMA			
12	1	58400-064	PLATE - FAA/PMA			
11	4	51807-034	WASHER LOCK, NO. 1/4 SPLIT			BRONZE
10	8	51806-014	WASHER LOCK, NO. 6 SPLIT			BRONZE
9	4	51703-064	WASHER 1/2 X 17/64 X .032 FLAT			BRASS
8	4	51200-020	SCREW #4 X 1/4 PAN HD, SHEET METAL			S. STEEL
7	4	50407-364	NUT 1/4-28 X 7/16 X 3/16 HEX			BRASS
6	8	50406-014	NUT 6-32 X 3/16 X 5/64 HEX			BRASS
5	1	47618-001	PLATE - NAME			
4	2	34290-001	PLATE - COVER			
3	1	33896-001	BUS BAR			
2	1	33502-030	CONTACTOR ASSEMBLY - PRIMARY			
1	1	33344-001	PLATE - COVER			

UNLESS OTHERWISE SPECIFIED DIMENSIONS ARE IN INCHES TOLERANCES ON	REF:	SIKORSKY 76550-00902-101	Hartman Division - 175 N. DIAMOND STREET WANSFIELD, OHIO 44602
	DR BY	RLS 00/05/16	
	CHK BY	RS 00/05/16	
	ENGR	JL 00/05/17	
MFG	CC 00/05/18		
SIZE	CODE IDENT		
C	74063		
2 PL DEC, 3 PL DEC, ANGLES	SCALE NONE	SHEET	REF TYCO P/N 0-1616081-1

X-ON Electronics

Largest Supplier of Electrical and Electronic Components

Click to view similar products for [General Purpose Relays](#) category:

Click to view products by [TE Connectivity](#) manufacturer:

Other Similar products are found below :

[PCN-105D3MH,000](#) [59641F200](#) [LY1SAC110120](#) [5X827E](#) [5X837F](#) [5X840F](#) [5X842F](#) [5X848E](#) [LY2N-AC120](#) [LY2S-AC220/240](#) [LY2-US-AC120](#) [LY3-US-AC120](#) [LY4F-UA-DC12](#) [LY4F-UA-DC24](#) [LY4F-US-AC120](#) [LY4F-US-AC240](#) [LY4F-US-DC24](#) [LY4F-VD-AC110](#) [LYQ20DC12](#) [M115C60](#) [M115N010](#) [M115N0150](#) [6031007G](#) [603-12D](#) [61211T0B4](#) [61212T400](#) [61222Q400](#) [61243B600](#) [61243C500](#) [61243Q400](#) [61311BOA2](#) [61311BOA6](#) [61311BOA8](#) [61311C0A2](#) [61311COA1](#) [61311COA6](#) [61311F0A2](#) [61311QOA1](#) [61311QOA4](#) [61311T0D6](#) [61311TOA6](#) [61311TOA7](#) [61311TOB3](#) [61311TOB4](#) [61311U0A6](#) [61312Q600](#) [61312T400](#) [61312T600](#) [61313U200](#) [61313U400](#)