

REV.	DESCRIPTION	DATE	APPROVED
C	21154	REDRAN, ADDED 2.35 & .18/.31 DIM'S	1-16-91
H	24064	ADDED ITEMS 12 AND 13	6/29/93

CONSTRUCTION

MAIN CONTACTS  
CONFIGURATION  
VOLTAGE (NOMINAL)  
CURRENT: RES.  
CARRY ONLY

RUPTURE

AUX. CONTACTS  
CONFIGURATION  
VOLTAGE  
CURRENT: RES.  
IND.

COIL DATA  
DUTY CYCLE

COIL VOLTAGE MAX.  
PICKUP VOLTAGE HOT  
DROPOUT VOLTAGE  
COIL RES.

ENVIRONMENTAL DATA  
AMBIENT TEMP

LIFE ELECTRICAL  
LIFE MECHANICAL  
WEIGHT

HERMETIC SEAL

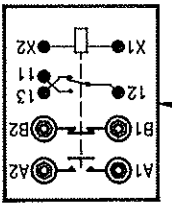
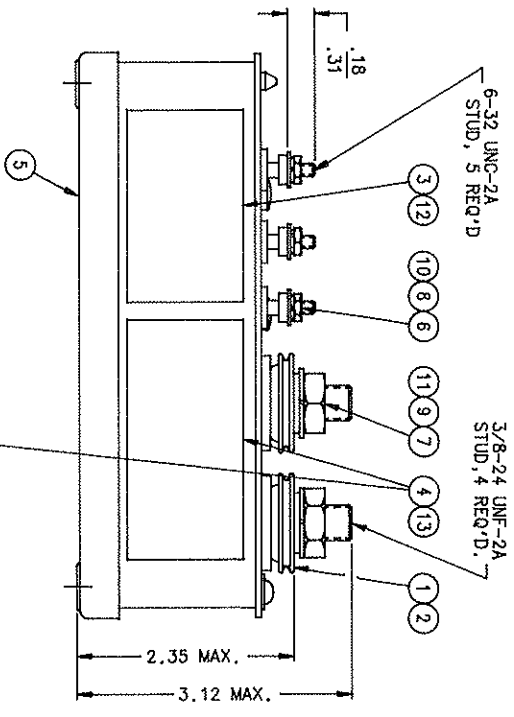
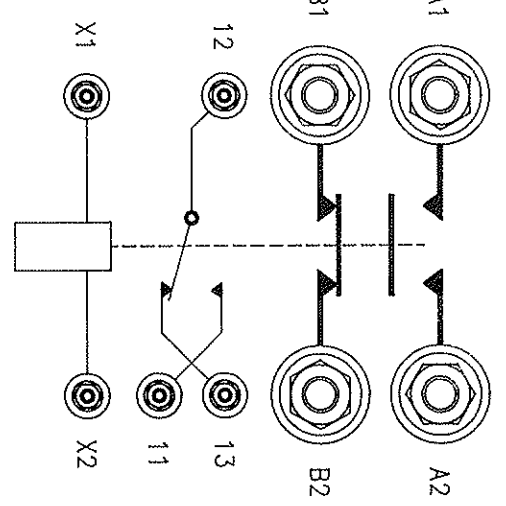
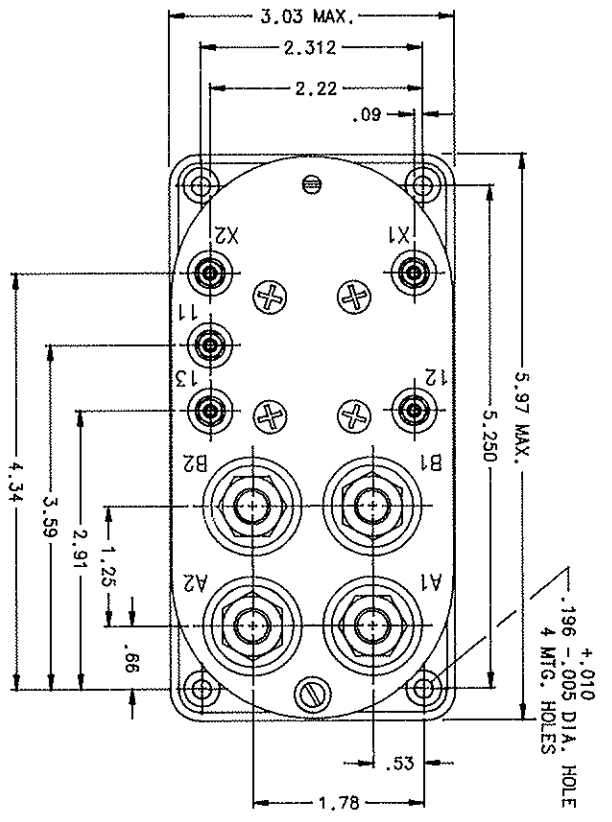
SPDT SIDESTABLE  
30 VDC  
300 AMP  
1500 AMP INRUSH  
1000 AMP FOR 30 SEC.  
3000 AMP

SPDT  
28 VDC  
5 AMP  
5 AMP

INTERMITTANT  
3 MINUTES MAX.  
30 VDC  
20 VDC MAX.

0.5 - 5.5  
8.8 OHM ± 20% AT 25°C

- 65°C TO + 120°C  
50,000 CYCLES MIN.  
100,000 CYCLES MIN.  
2 LBS. 14 OZ.



- NOTES:
- THIS UNIT DESIGNED TO THE BASIC REQUIREMENTS OF MIL-R-6106E EXCEPT AS NOTED.
  - QUALIFICATION TESTING NOT COMPLETED.

ITEM NO.	QTY	RECD	PART OR IDENTIFYING NO	DESCRIPTION	REF.	TERMS	DATE	BY	CHK BY	ENG	DATE	SCALE	SHEET
13	1		39529-017	OVERLAY									
12	1		39529-001	OVERLAY									
11	4		51807-084	WASHER - LOCK NO. 3/8									
10	5		51806-014	WASHER - LOCK NO. 6 SPLIT									
9	4		51704-024	WASHER, 5/8 X 25/64 X .062									
8	5		51702-204	WASHER, 3/8 X 9/64 X .031									
7	4		50407-164	NUT - 3/8-24 X 5/8 X 7/32 HEX									
6	5		50406-034	NUT, 6-32 X 1/4 X 5/64 HEX									
5	1		39010-020	CONTACTOR ASSEMBLY - PRIMARY									
4	1		32803-001	PLATE - HEADER DIAGRAM									
3	1		16043-074	PLATE NAME									
2	4		13121-001	TERMINAL INSULATING CUP									
1	4		13120-001	LOG SEAT									

BC-2639		BELL 212-075-199		HARTMAN ELECTRICAL MANUFACTURING MANFIELD, OHIO	
UNLESS OTHERWISE SPECIFIED DIMENSIONS ARE IN INCHES TOLERANCES ARE		DR BY LCB 11/5/93		CONTACTOR - HERMETICALLY SEALED, S.P.D.T., 300 AMP	
2 PL DEC. 3 PR. DEC. ANGLE ES		CHK BY WJS 11/5/93		SCALE NONE	
4 .06 .010 ± 1°		ENG DR WJS 11/5/93		SIZE C 74063	
		MFG G DA 11/5/93		CODE IDENT DIMG NO.	
		RELEASE		AH-965H	
		CONTR. NO.		SHEET	
		GOVT APPV			

CUSTOMER CONTROLLED  
DRAWING  
BELL

## X-ON Electronics

Largest Supplier of Electrical and Electronic Components

*Click to view similar products for [General Purpose Relays](#) category:*

*Click to view products by [TE Connectivity](#) manufacturer:*

Other Similar products are found below :

[JVN1AF-4.5V-F](#) [PCN-105D3MHZ](#) [5JO-10000S-SIL](#) [5JO-1000CD-SIL](#) [5JO-400CD-SIL](#) [LY2S-AC220/240](#) [LYQ20DC12](#) [6031007G](#)  
[6131406HQ](#) [6-1393099-8](#) [6-1393122-4](#) [6-1393123-2](#) [6-1393767-1](#) [6-1393843-7](#) [6-1415012-1](#) [6-1419102-2](#) [6-1423698-4](#) [6-1608051-6](#) [6-1608067-0](#) [6-1616170-6](#) [6-1616248-2](#) [6-1616282-3](#) [6-1616348-2](#) [6-1616349-9](#) [6-1616350-1](#) [6-1616350-8](#) [6-1616358-7](#) [6-1616359-9](#) [6-1616360-9](#) [6-1616931-6](#) [6-1617039-1](#) [6-1617052-1](#) [6-1617090-2](#) [6-1617090-5](#) [6-1617347-5](#) [6-1617353-3](#) [6-1617801-8](#) [6-1618107-9](#) [6-1618248-4](#) [CX-4014](#) [MAHC-5494](#) [MAVCD-5419-6](#) [703XCX-120A](#) [7-1393100-5](#) [7-1393111-7](#) [7-1393767-8](#) [7-1414968-8](#) [7-1419130-3](#) [7-1608047-2](#) [7-1608065-1](#)